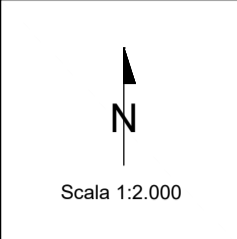
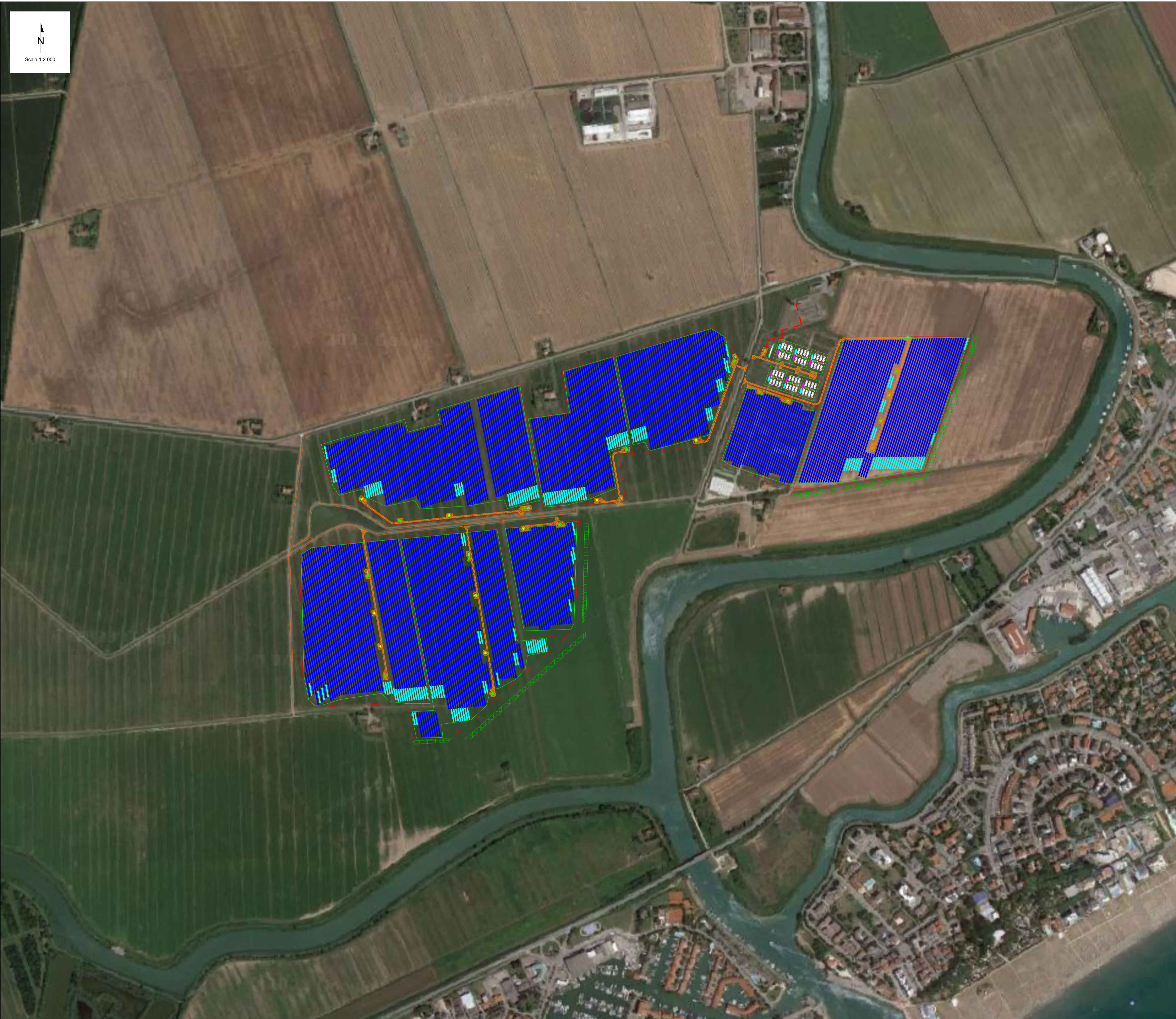


IMPIANTO DI TERRA



LEGENDA

- Recinzione
- Viabilità di impianto
- + TU 1800 kVA
- + TU 1500 kVA
- Strutture tracker 1x56
- Strutture tracker 1x28
- Locale cabina ED in progetto
- Locale cabina Privata in progetto
- Cabina SCADA
- Configurazione BESS: 1,65 MW - 8 h - 20 kV
- Maglia di terra



00	03/08/2023	EMISSIONE DEFINITIVA	E.L.Argento	M.Gallina	V.Bretti
REV.	DATE	DESCRIPTION	PREPARED	CHECKED	APPROVED

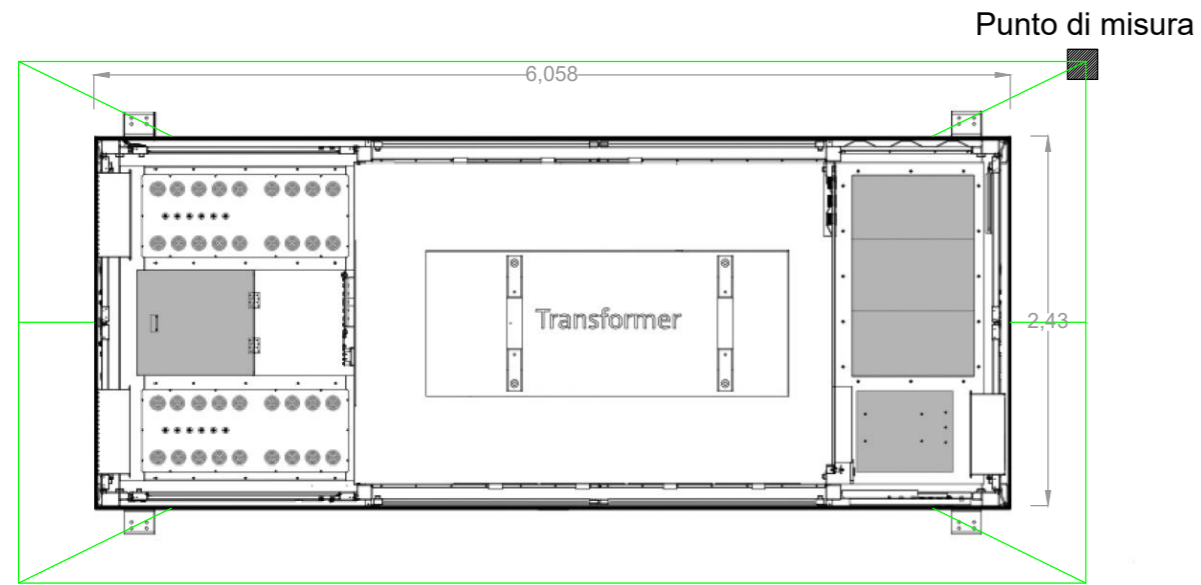
	PROJECT: Caorle (15533)									
	FILE NAME: GRE.EEC.D.24.IT.P.15533.00.061.00_IMPIANTO DI TERRA.DWG									
	CLASSIFICATION:	FORMAT:	SCALE:	PLOT SCALE:	SHEET:					
	Company	A1	1:2.000	1:1	1 di / of 2					
Engineering & Construction	UTILIZATION SCOPE:	TITLE:								
GRE VALIDATION	Basic Design	IMPIANTO DI TERRA								
VALIDATED BY: PE EGP	GRE CODE									
VERIFIED BY: Discipline EGP	GROUP:	FUNCTION:	TYPE:	ISSUER:	COUNTRY:	TEC:	PLANT:	SYSTEM:	PROGRESSIVE:	REVISION:
COLLABORATORS:	GRE	EEC	D	24	I	T	P	15533	33000	06100

This document is property of Enel Green Power SpA. It is strictly forbidden to reproduce this document, in whole or in part, and to provide to others any related information without the previous written consent by Enel Green Power SpA.

IMPIANTO DI TERRA

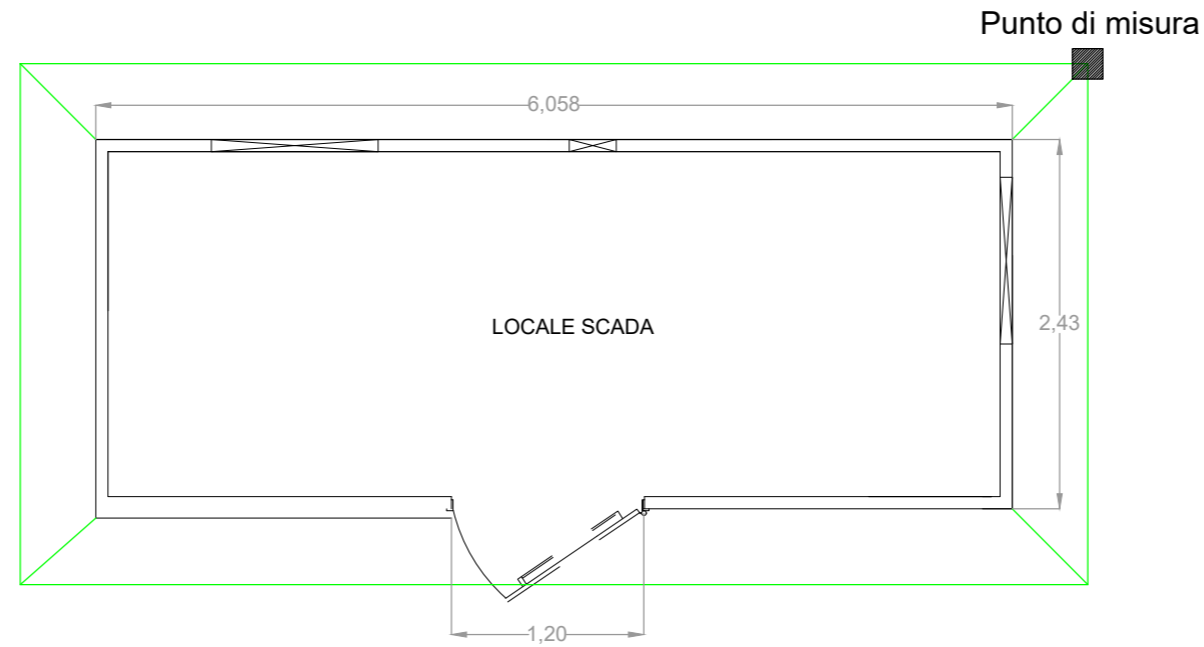
TRASFORMATION UNIT

Scala 1:50



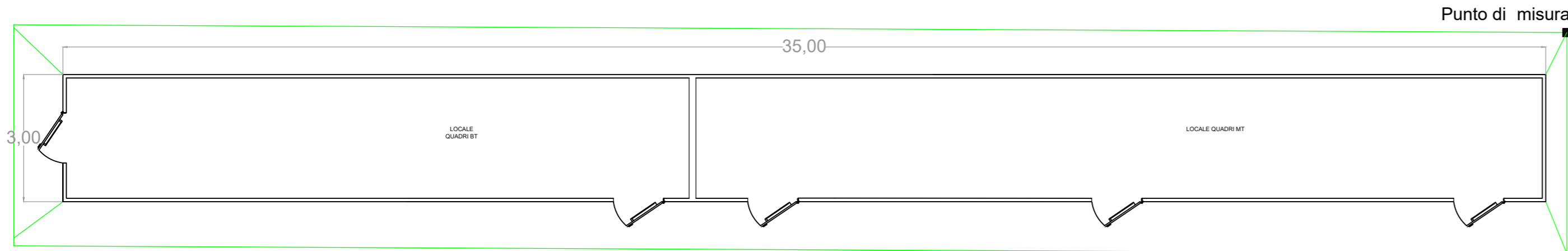
CABINA SCADA

Scala 1:50



CABINA UTENTE

Scala 1:100



LEGENDA

— Maglia di terra (corda di rame)

NOTE

- Misure espresse in metri



REV.	DATE	DESCRIPTION	PREPARED	CHECKED	APPROVED
00	03/08/2023	EMISSIONE DEFINITIVA	E.L.Argento	A.Fata	V.Bretti

CONTRACTOR'S LOGO 		PROJECT: Caorle (15533)			
FILE NAME: GRE.EEC.D.24.IT.P.15533.00.061.00_IMPIANTO DI TERRA.DWG		CLASSIFICATION: Company	FORMAT: A2	SCALE: Varie	PLOT SCALE: 1:1
UTILIZATION SCOPE: Basic Design		TITLE: IMPIANTO DI TERRA			
VALIDATED BY: PE EGP	GRE CODE				
VERIFIED BY: Discipline EGP	GROUP	FUNCTION	TYPE	ISSUER	COUNTRY
COLLABORATORS:	TEC.	PLANT	SYSTEM	PROGRESSIVE	REVISION
GRE EEC D 24 I T P 1 5 5 3 3 0 0 0 6 1 0 0					