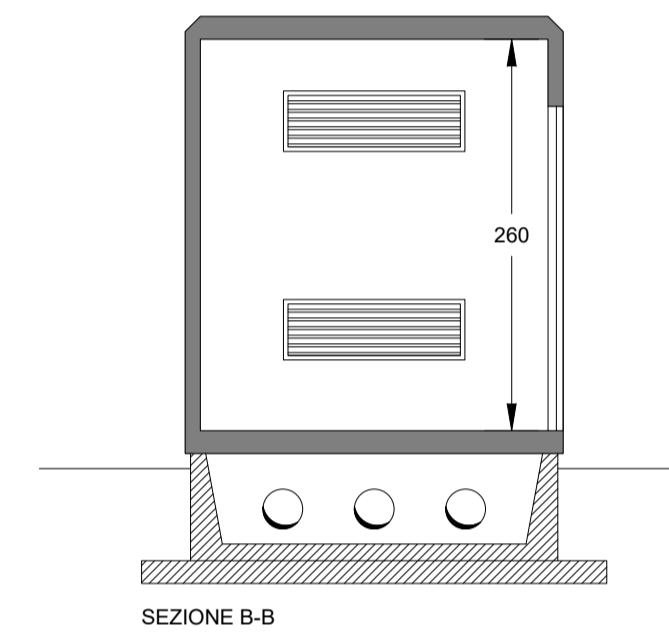
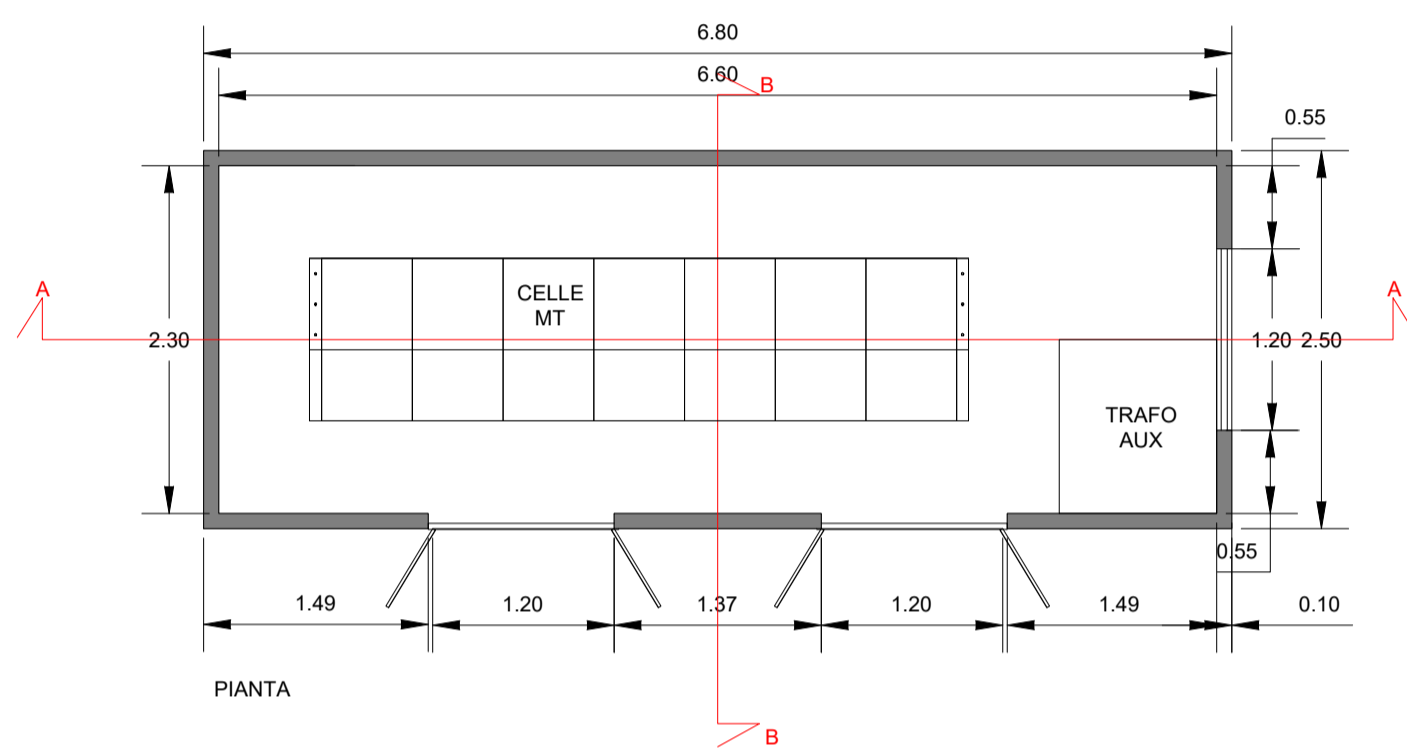
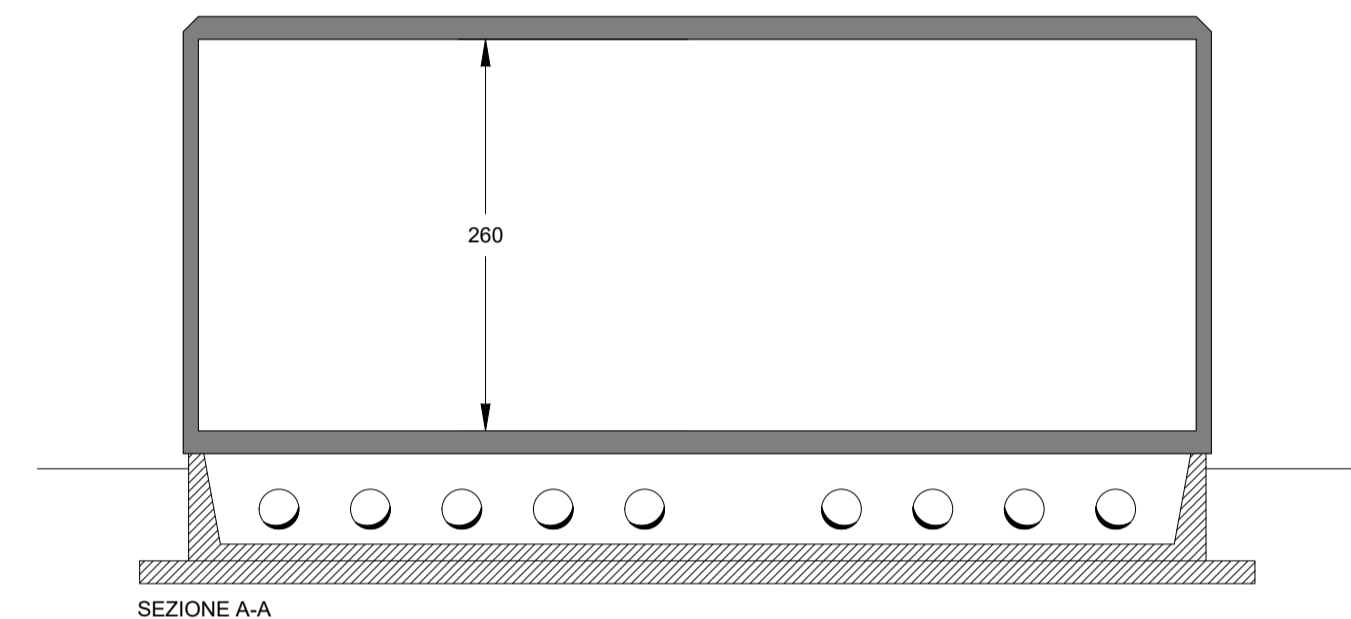
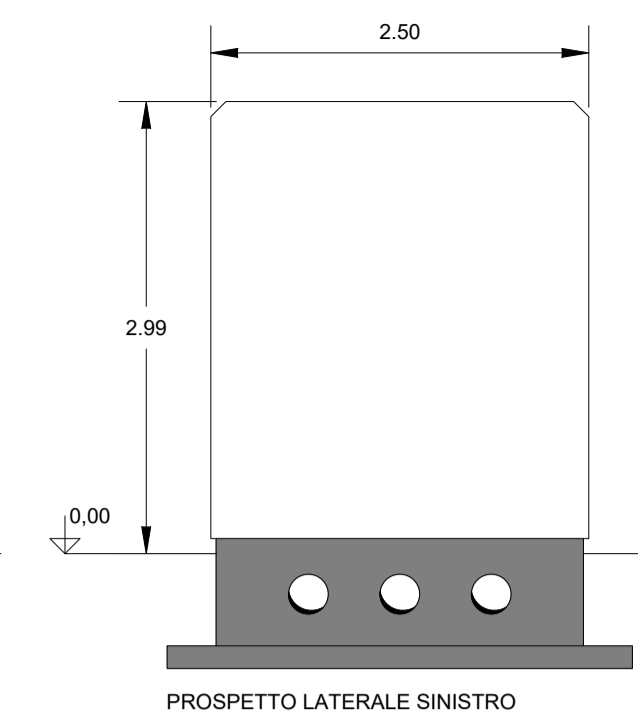
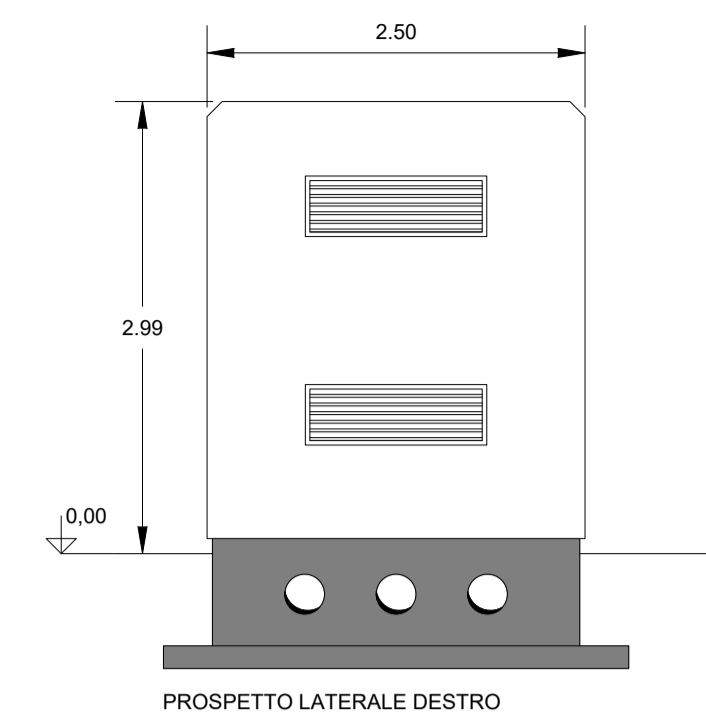
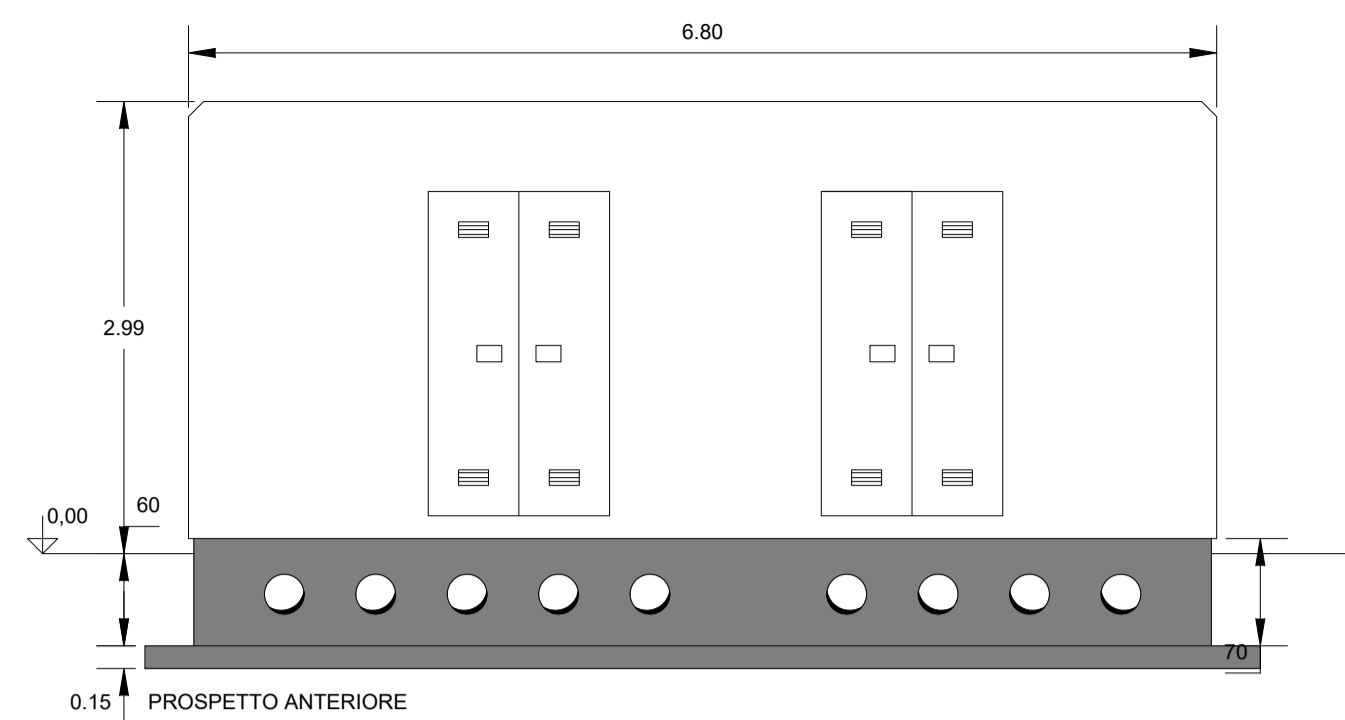
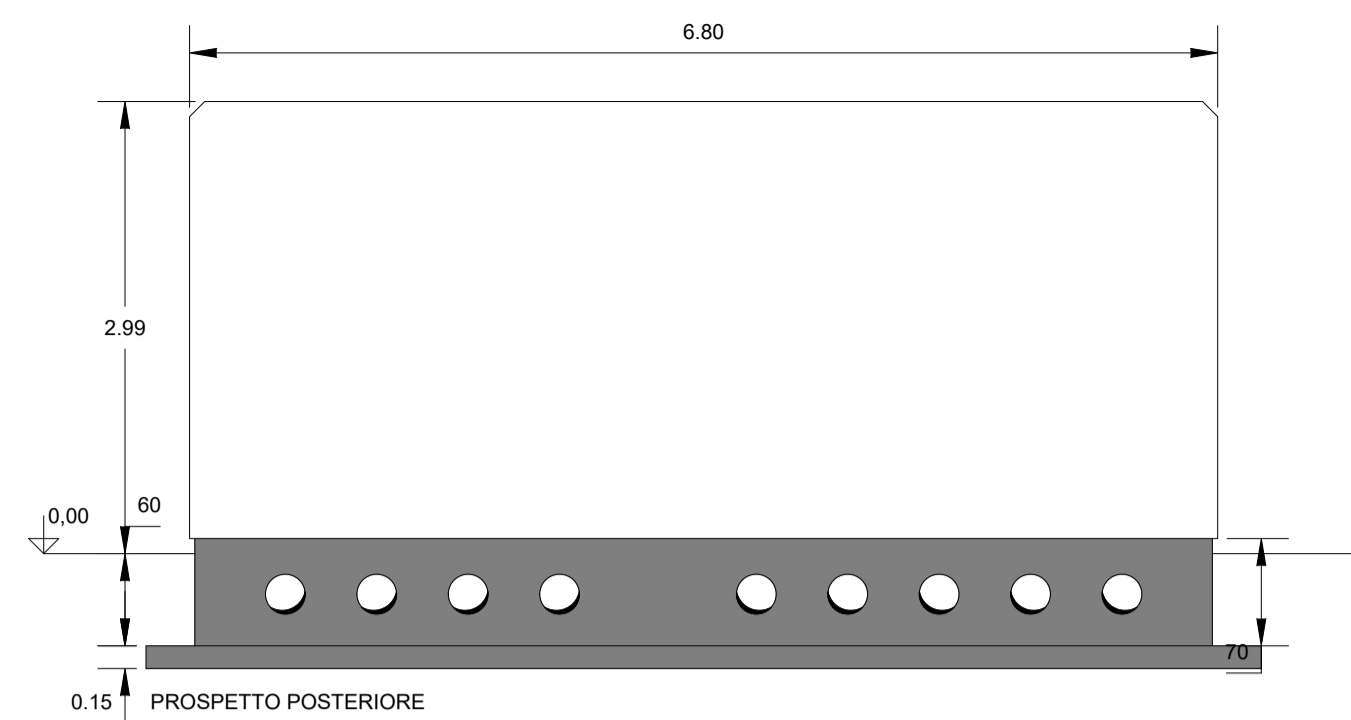
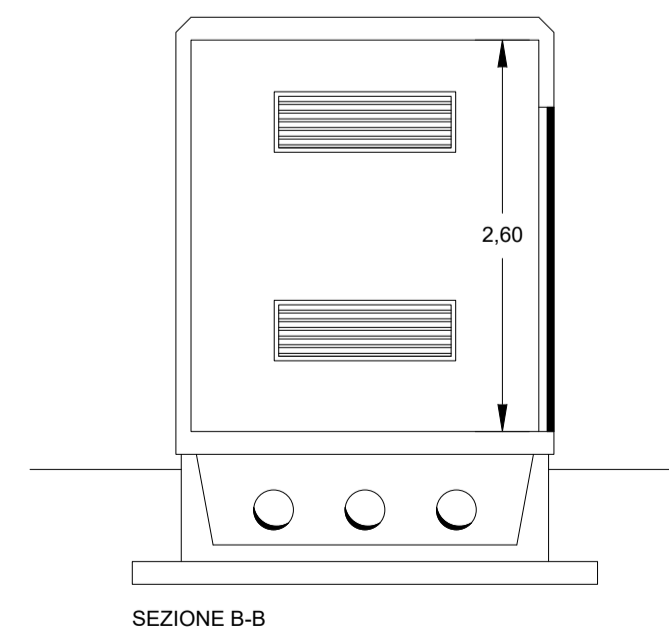
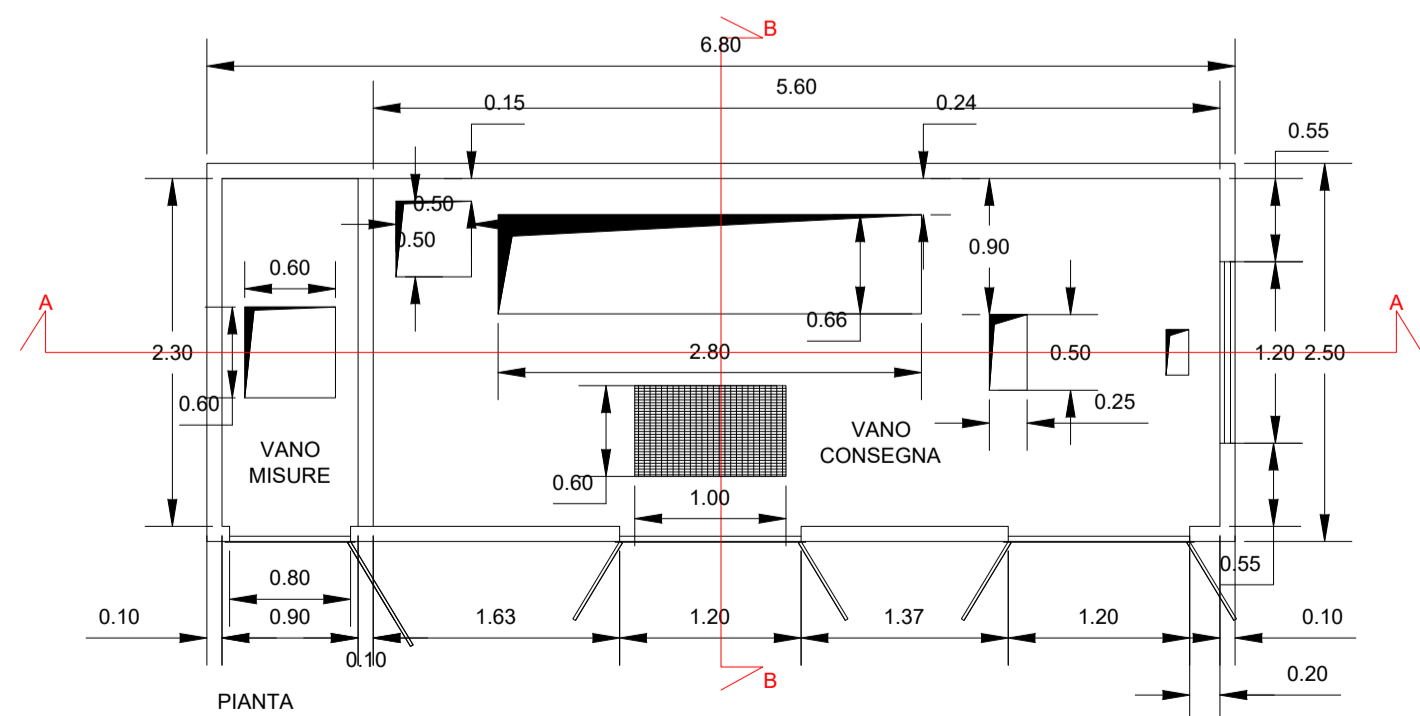
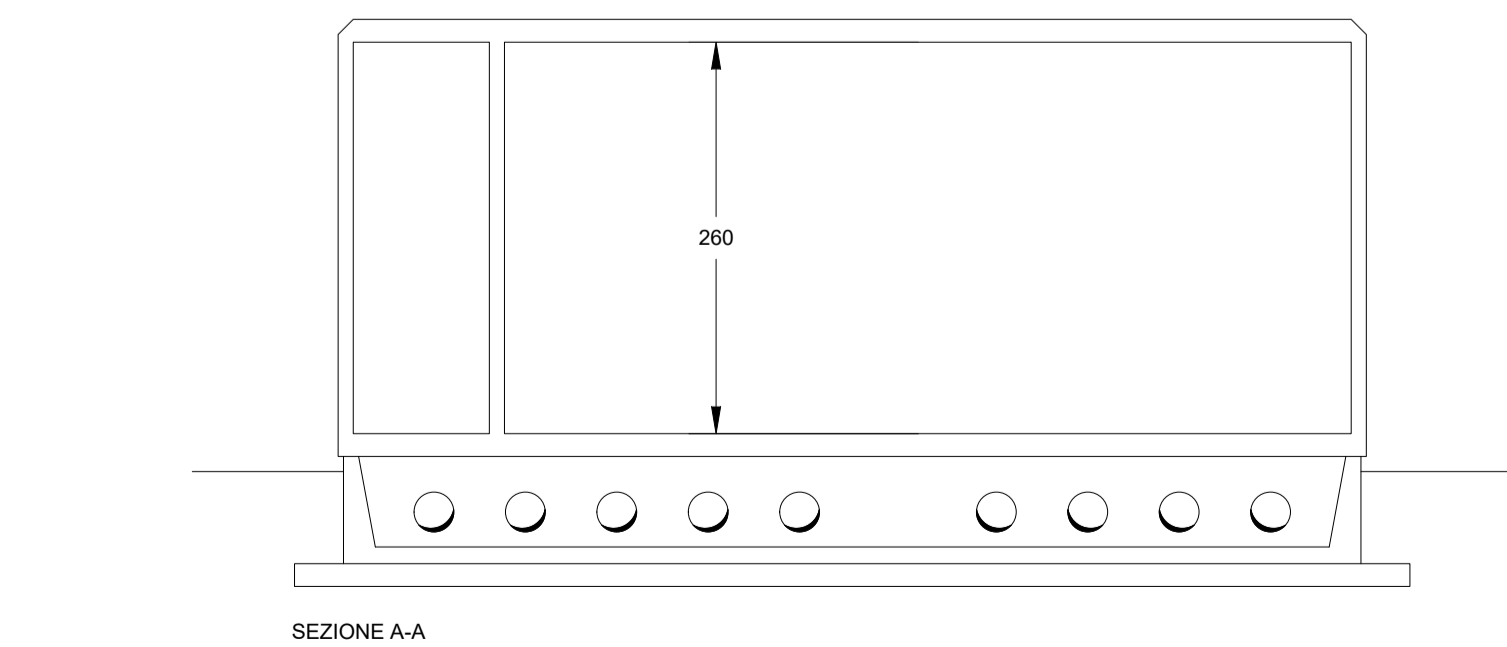
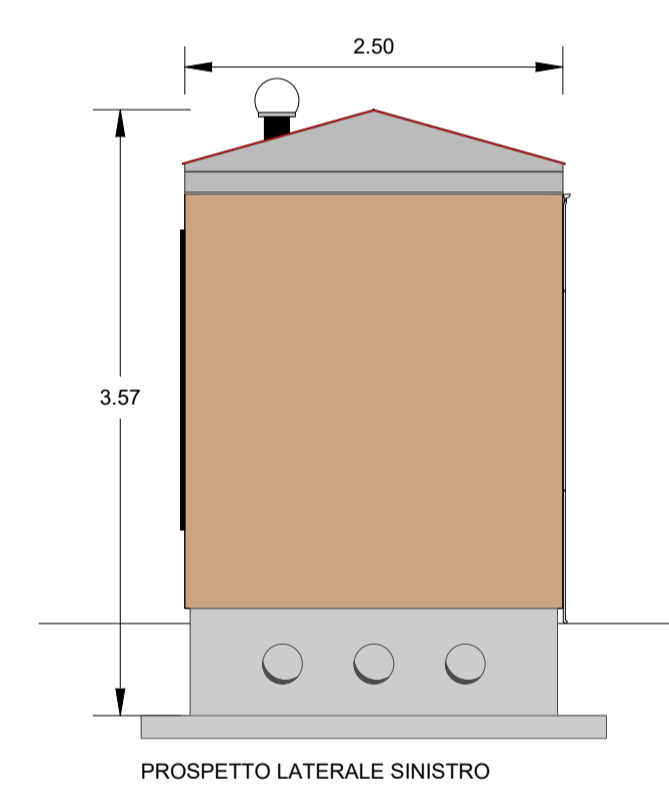
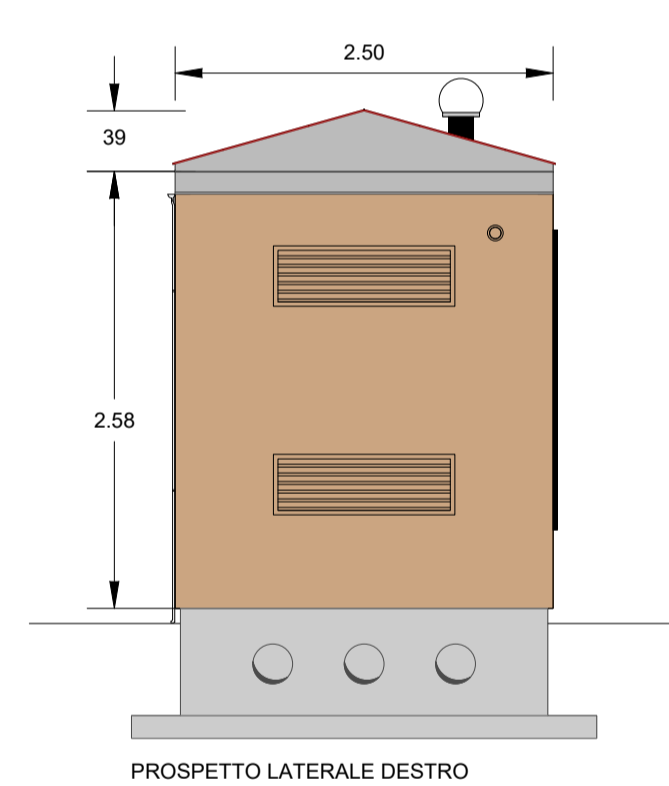
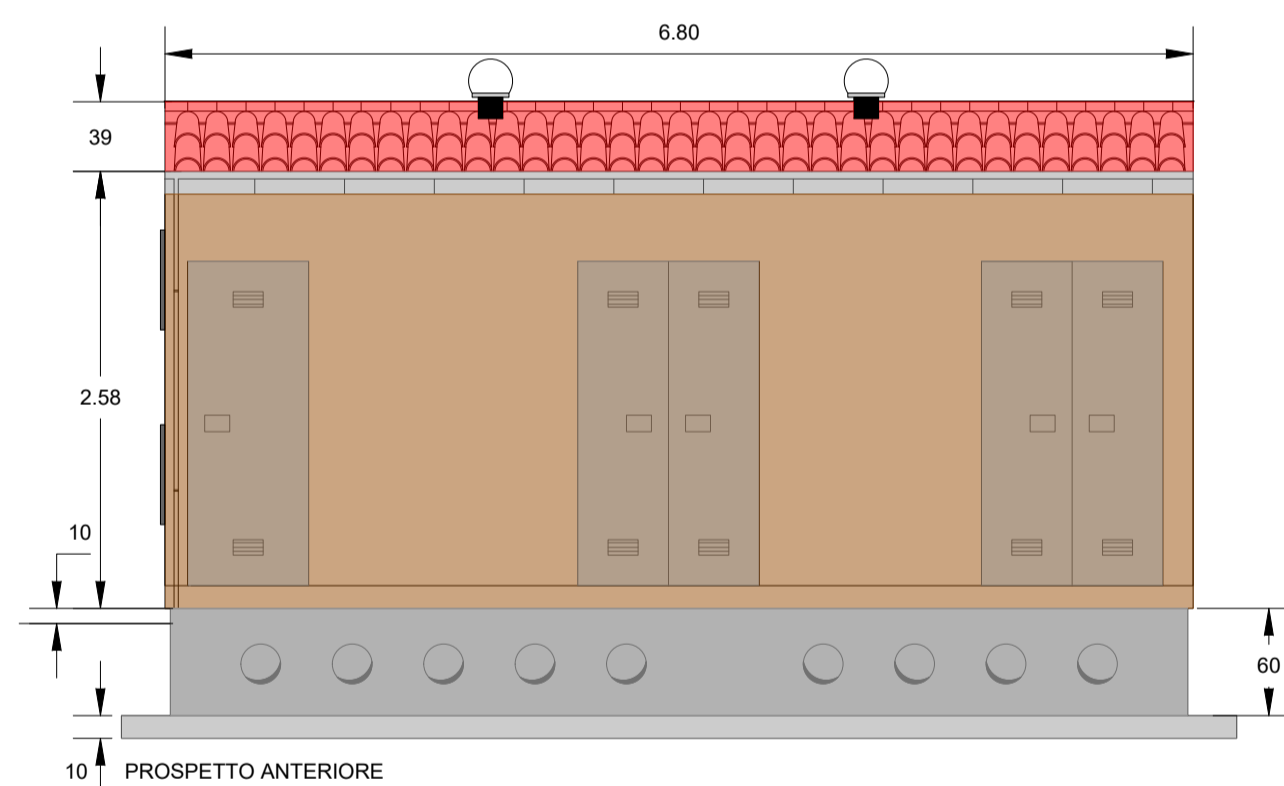
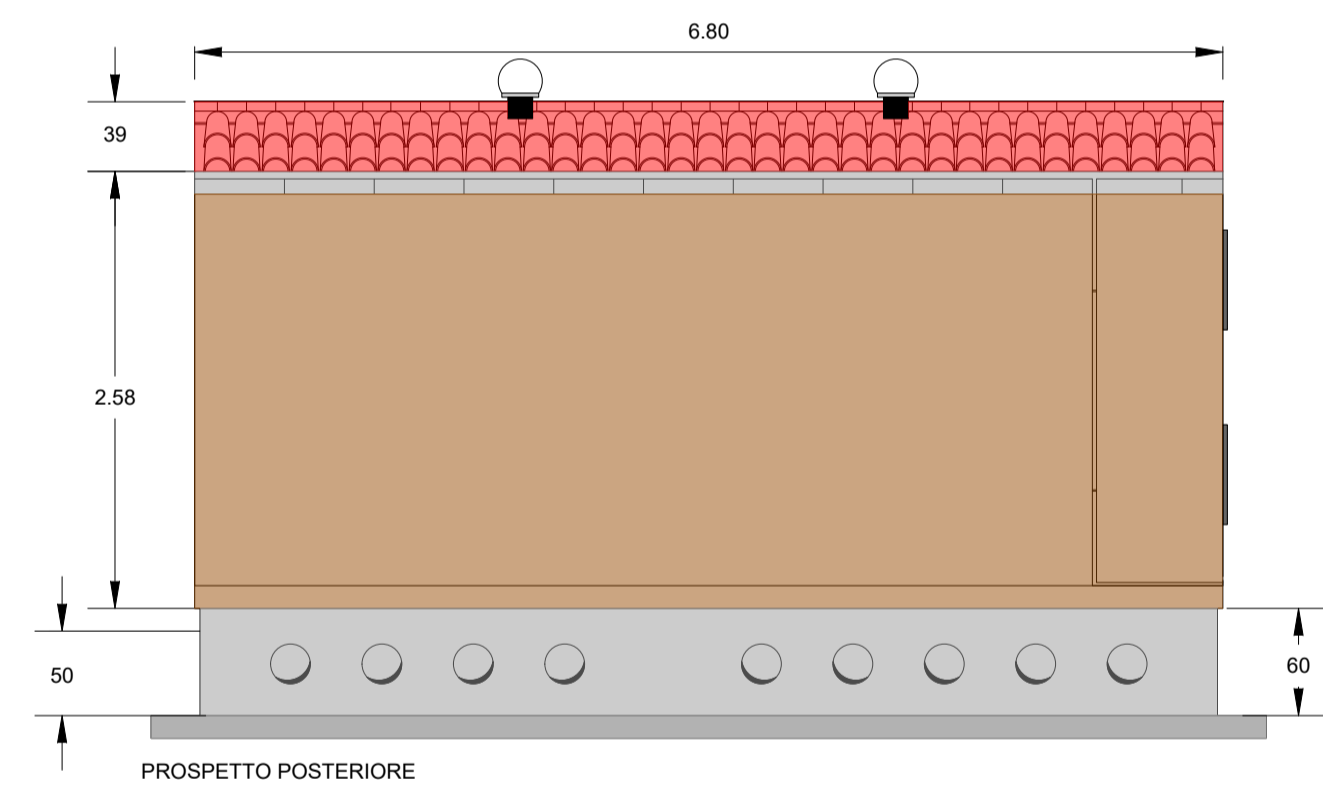


CABINA UTENTE - Scala 1:50



Scala 1:50

CABINA DI CONSEGNA - Scala 1:50

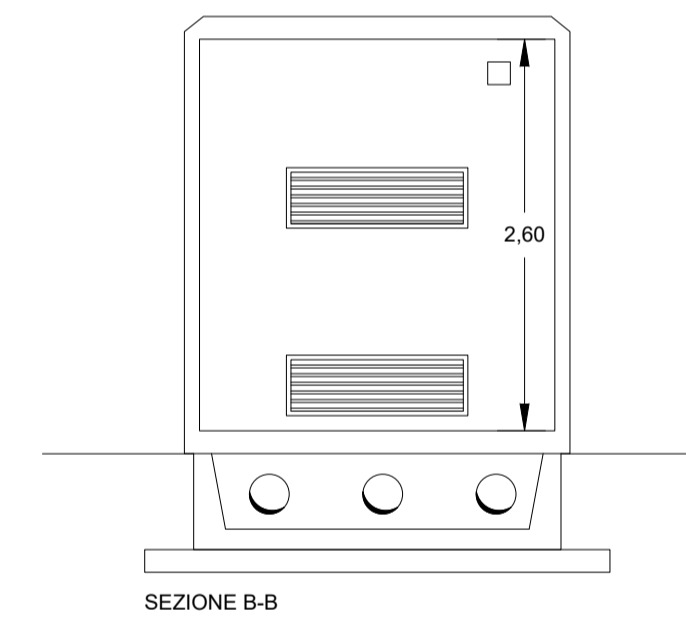
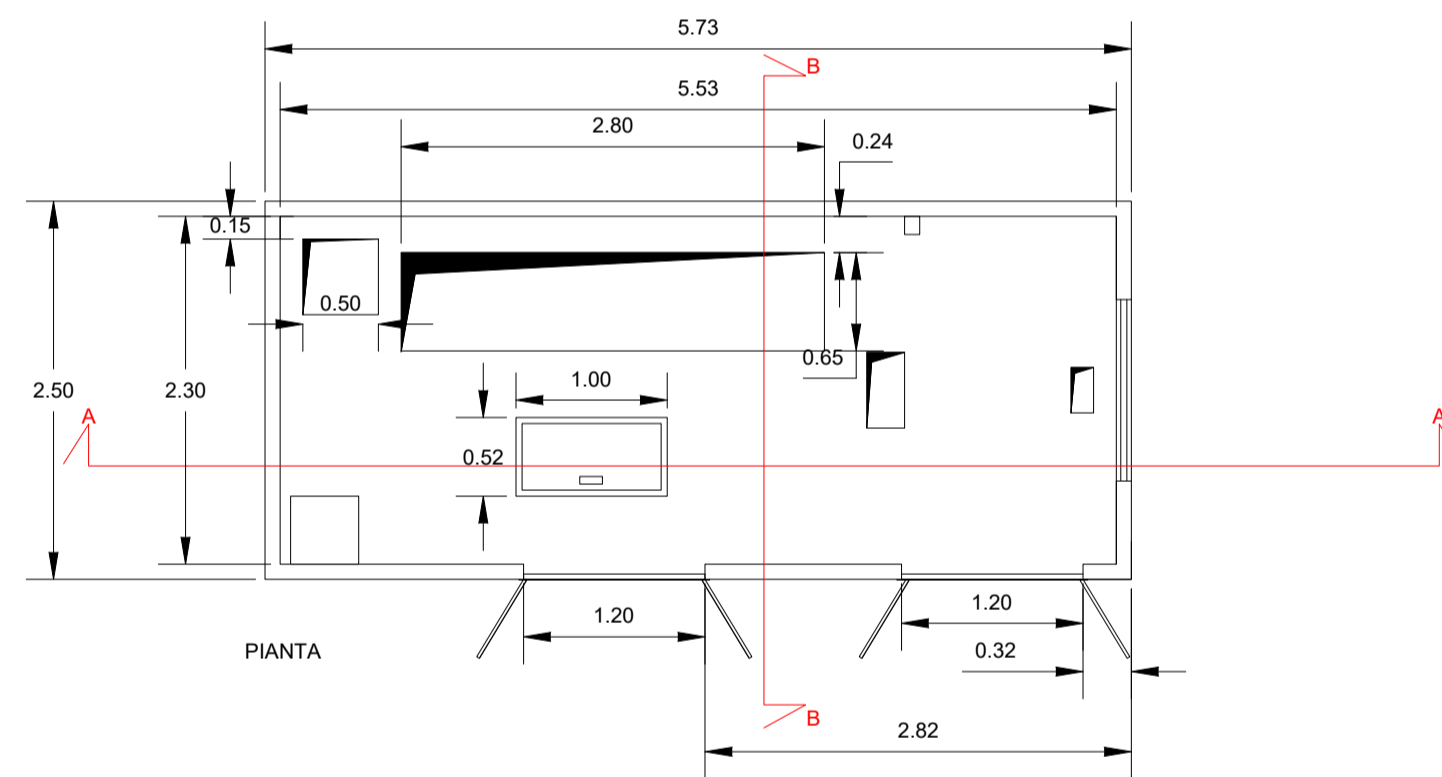
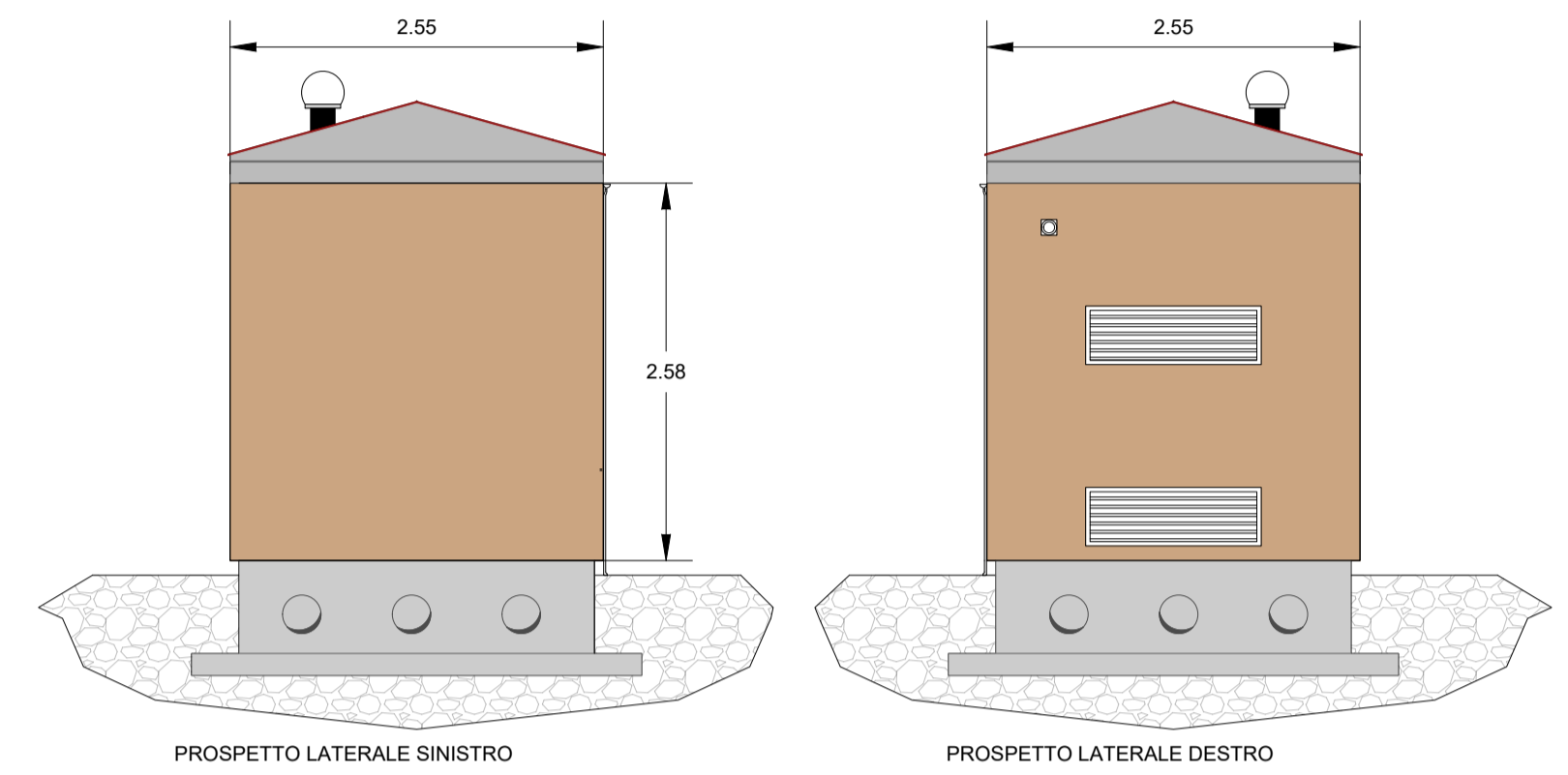
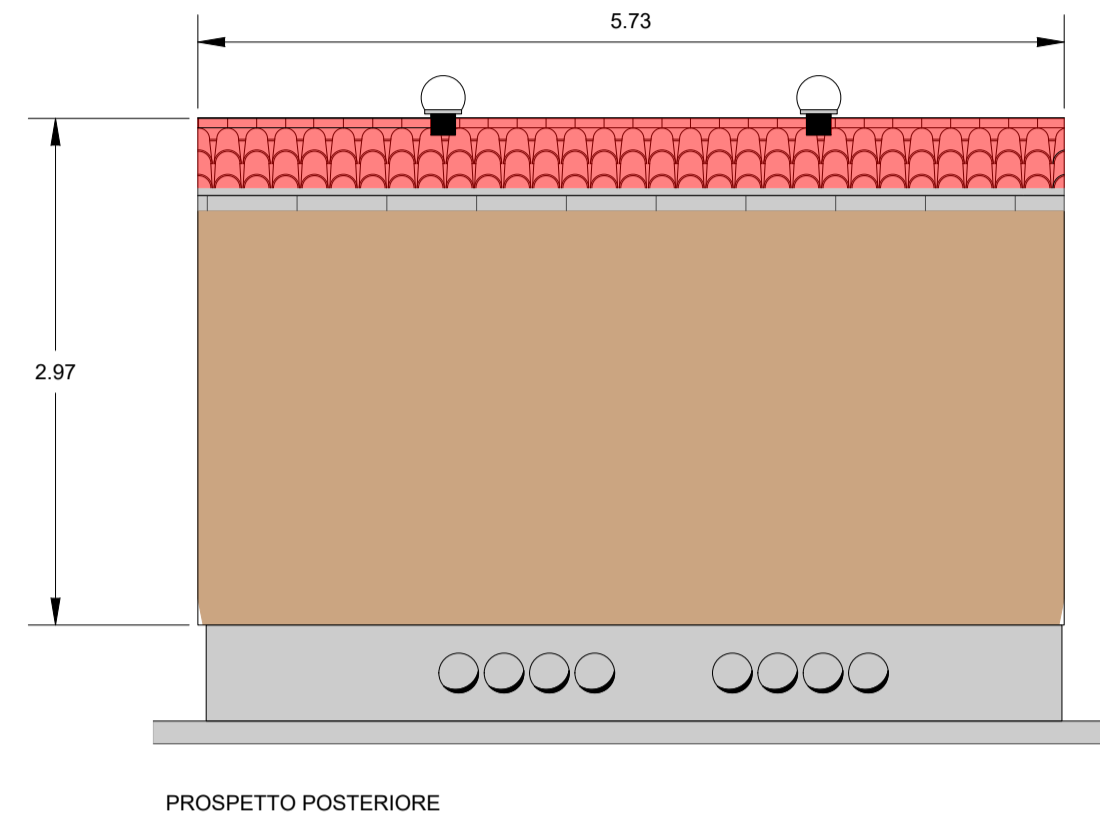
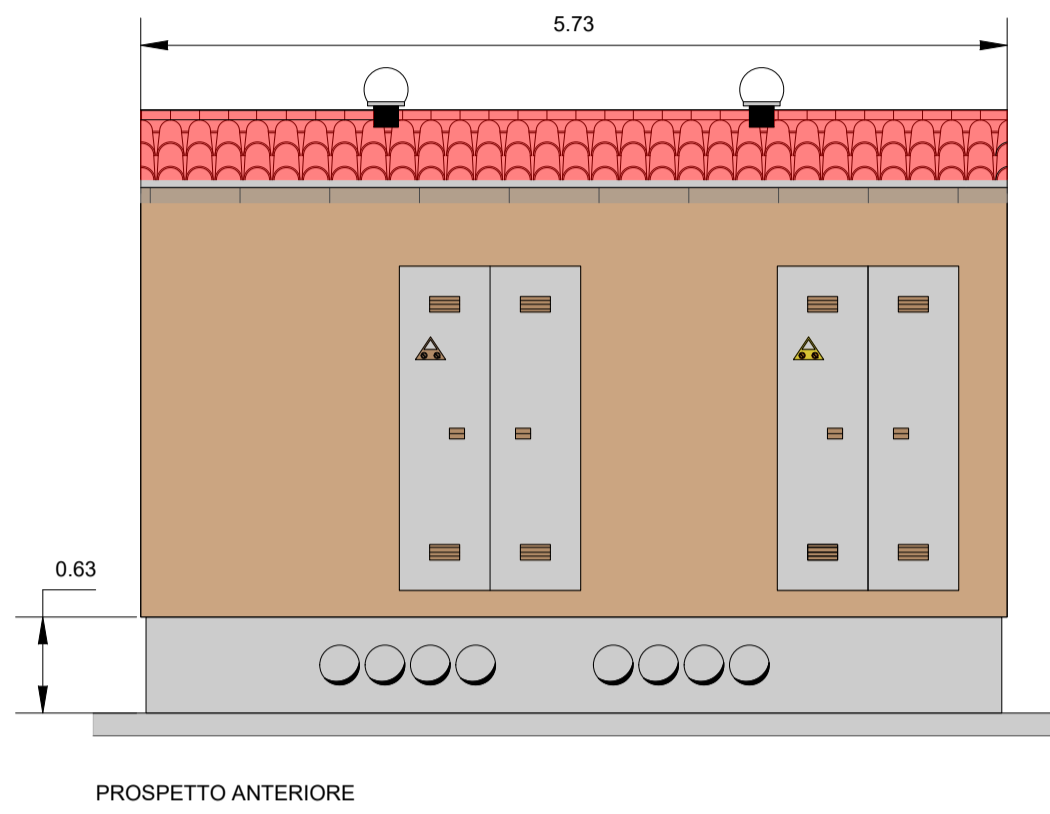



REV.	DATE	DESCRIPTION	PREPARED	CHECKED	APPROVED
01	12/09/2022	Revisione	Lapenna	Mancini	Biscotti
			BFP	BFP	BFP
00	22/07/2022	Emissione	Lapenna	Mancini	Biscotti
			BFP	BFP	BFP

		AGRIVOLTAICO NULVI			
SOCIETY: MARTE S.R.L.		FILE NAME: GRE.EEC.D.27.IT.P.16703.00.025.01 - TIPOLOGICO CABINE ELETTRICHE			
VALIDATED BY: --		CLASSIFICATION:	FORMAT: A1	SCALE: -	PLOT SCALE:
VERIFIED BY: --		TITLE: TIPOLOGICO CABINE ELETTRICHE			
COLLABORATORS: --		GRE CODE:			
		GROUP: GRE	FUNCTION: EEC	TYPE: D27	COUNTRY: IT
		PLANT: P167030002501	SYSTEM:	PROGRESSIVE:	REVISION:
SHEET: 1 di 3					

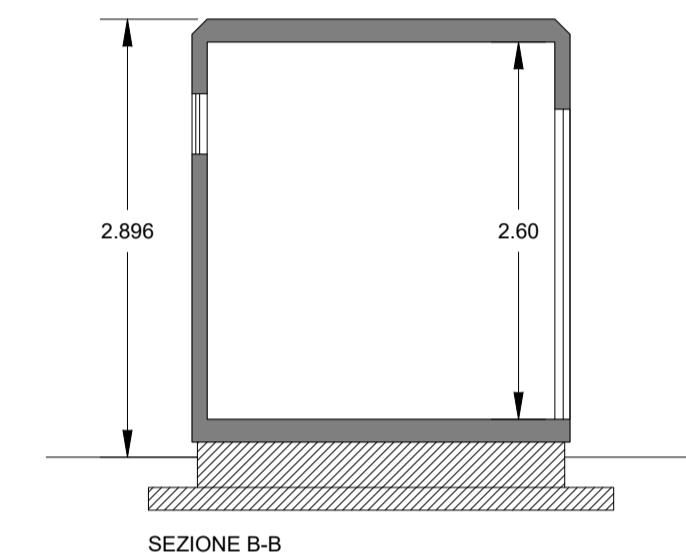
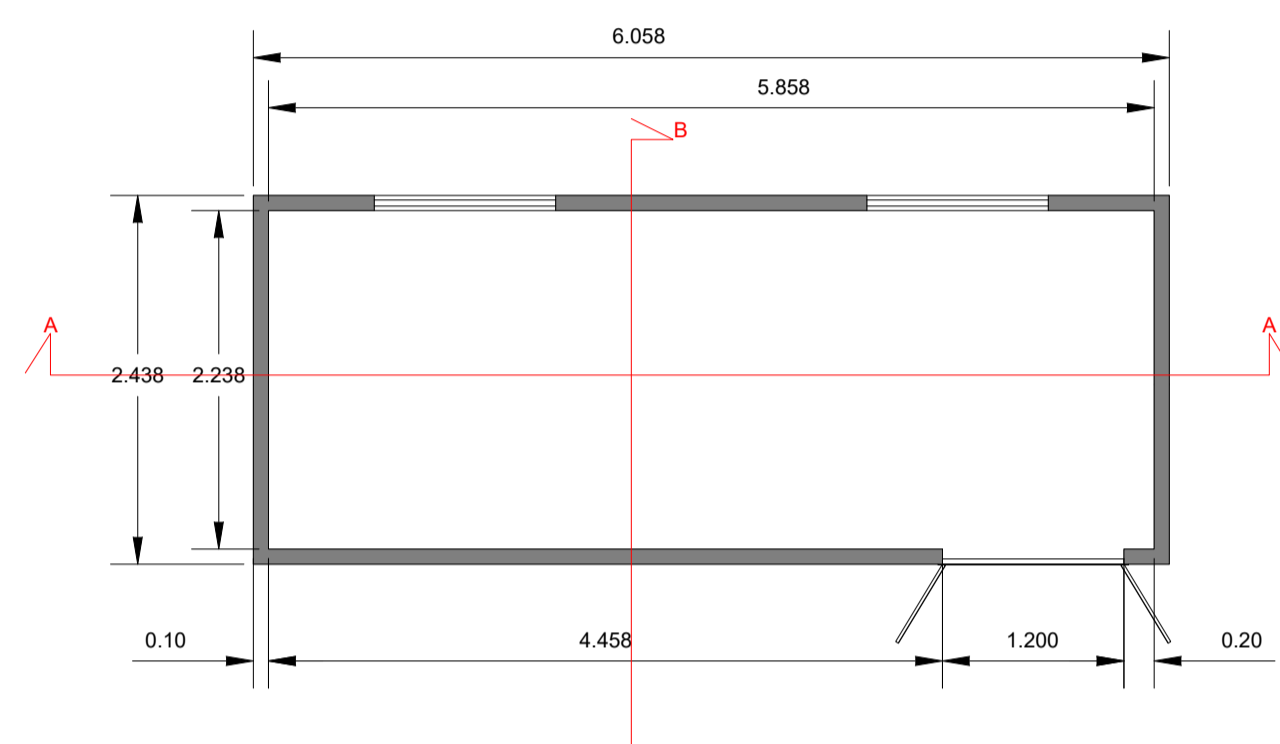
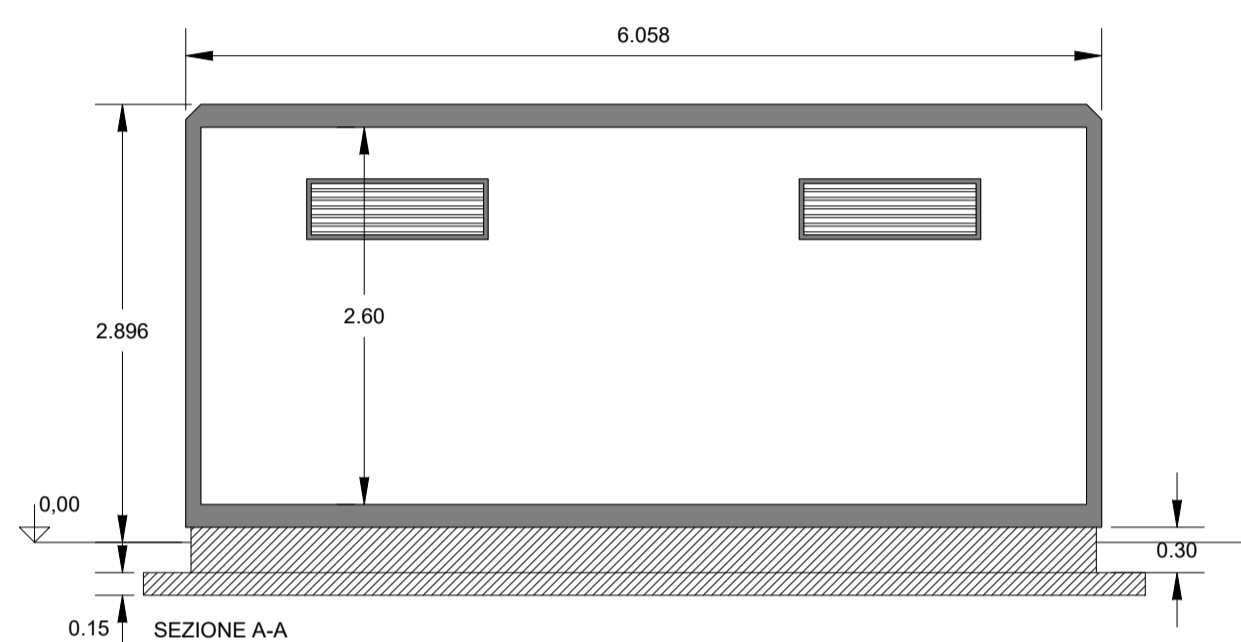
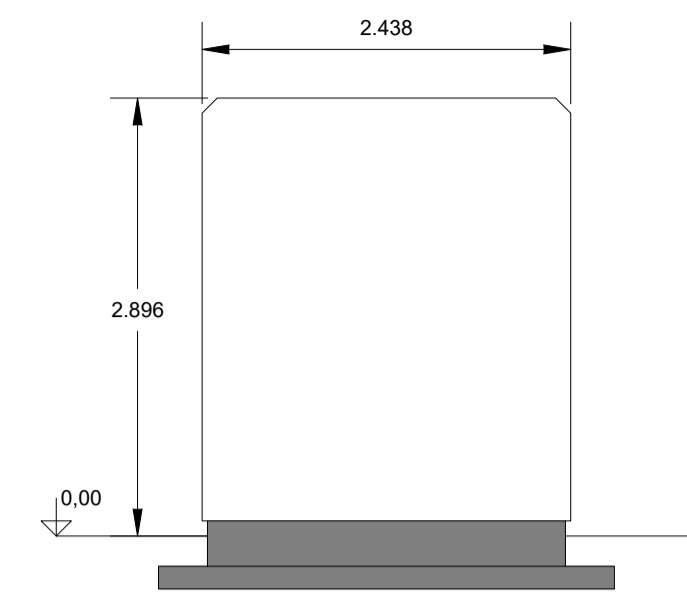
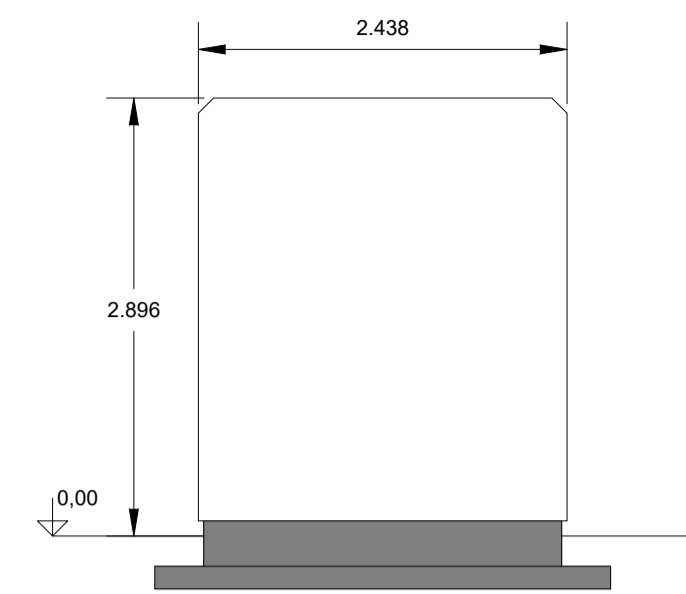
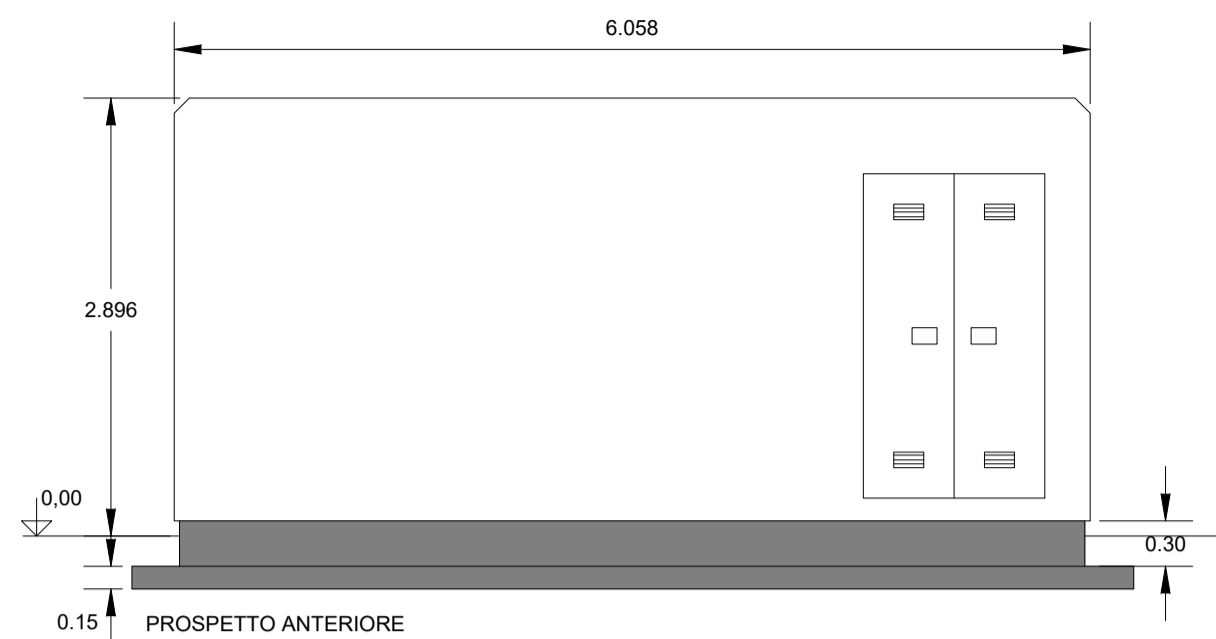
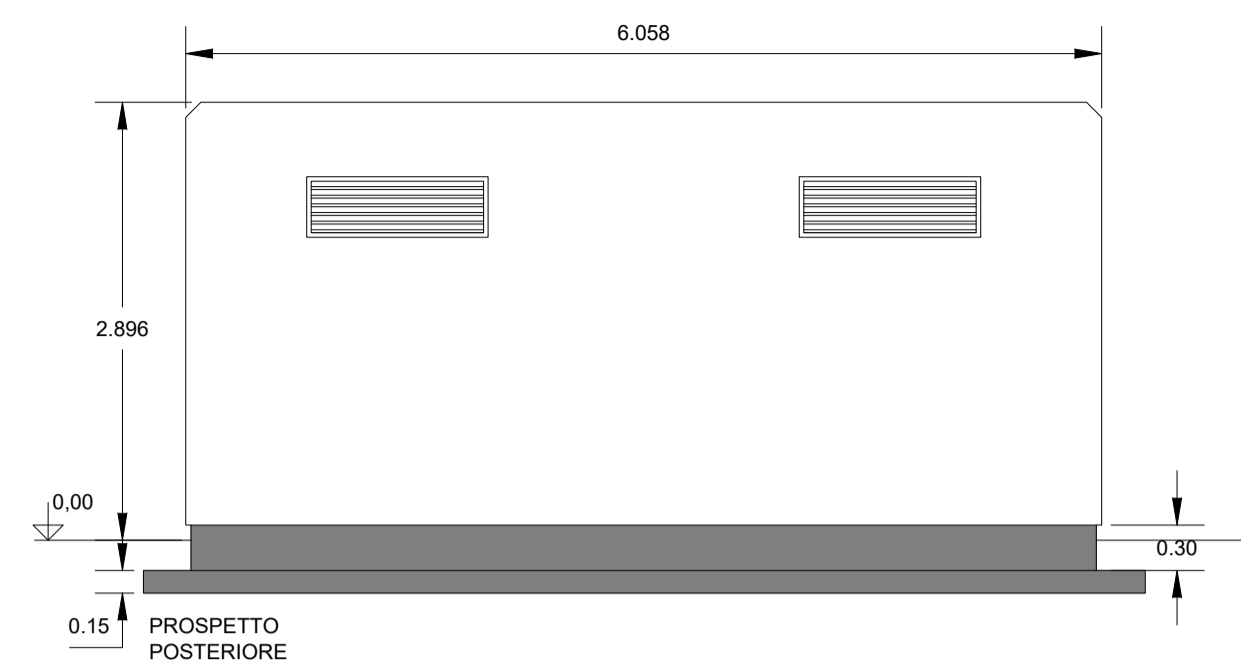
This document is property of Enel Green Power SpA. It is strictly forbidden to reproduce this document, in whole or in part, and to provide to others any related information without the previous written consent by Enel Green Power SpA.

CABINA DI SEZIONAMENTO - Scala 1:50

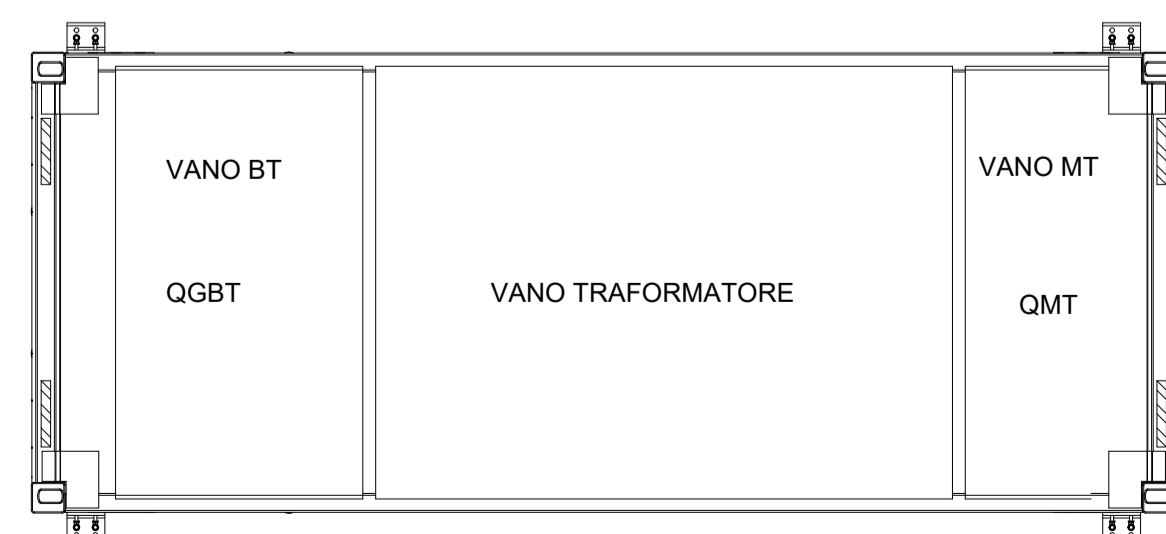
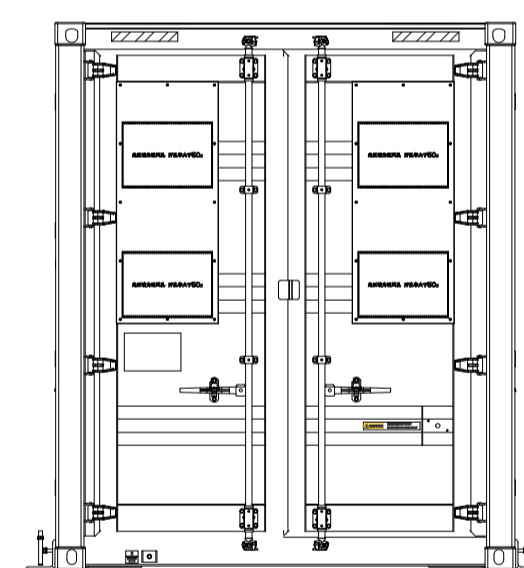
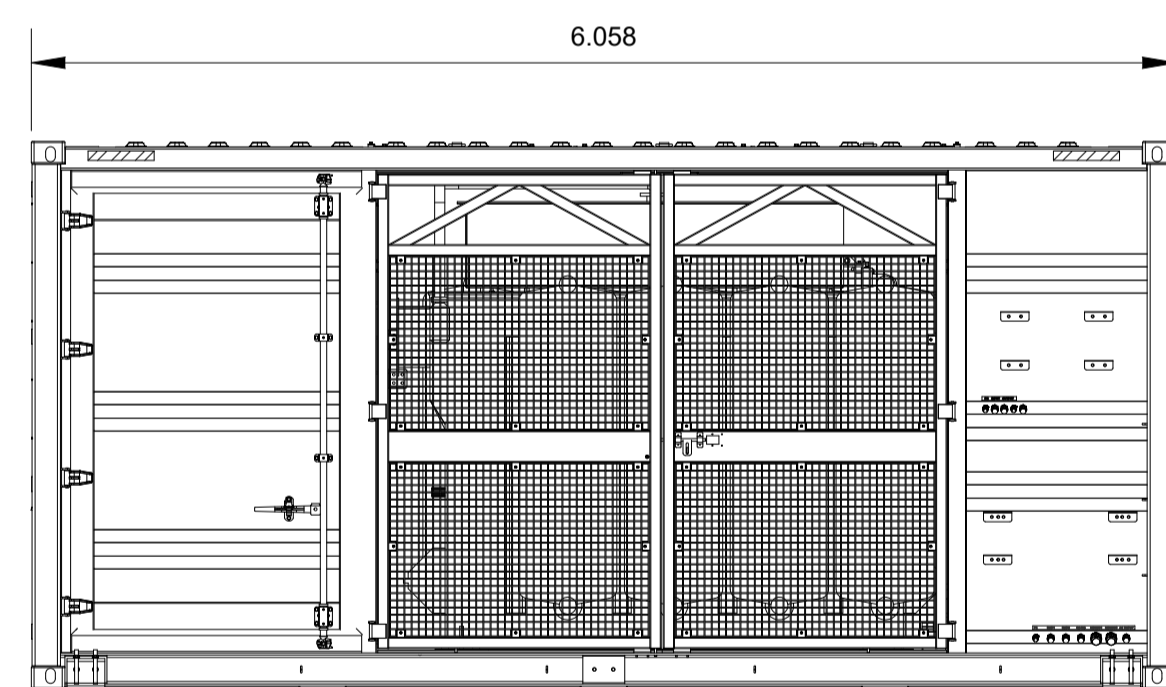
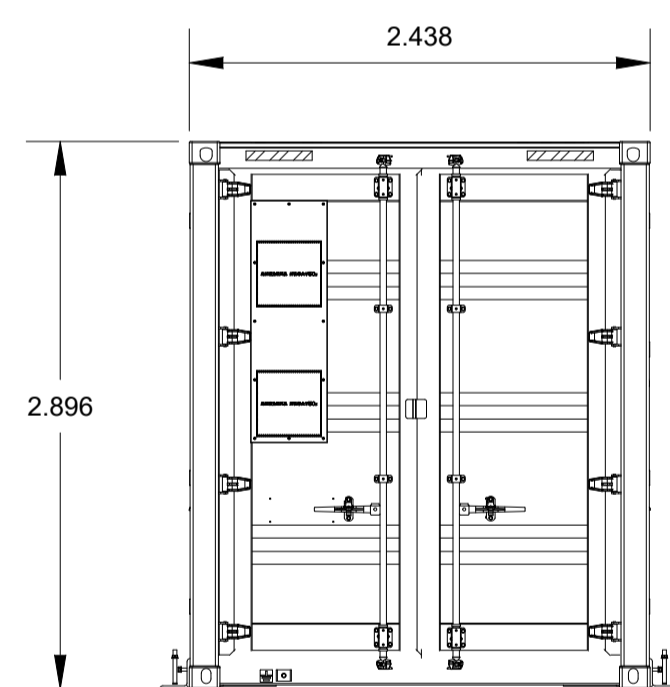


01	12/09/2022	Revisione	Lapenna	Mancini	Biscotti
			BFP	BFP	BFP
00	22/07/2022	Emissione	Lapenna	Mancini	Biscotti
			BFP	BFP	BFP
REV.	DATE	DESCRIPTION	PREPARED	CHECKED	APPROVED
 <p> <small> Via degli Anziani, 8 70026 Polignano (BR) - Italy www.bfp.it Azienda con Sistema di Gestione Certificato UNI EN ISO 9001:2015 UNI EN ISO 14001:2015 UNI ISO 45001:2018 </small> </p>			PROJECT: AGRIVOLTAICO NULVI		
SOCIETY: MARTE S.R.L.			FILE NAME: GRE.EEC.D.27.IT.P.16703.00.025.00 - TIPOLOGICO CABINE ELETTRICHE		
GRE VALIDATION			CLASSIFICATION:	FORMAT: A1	SCALE: -
VALIDATED BY: --			UTILIZATION SCOPE:	PLOT SCALE:	SHEET: 2 di 3
VERIFIED BY: --			TIPOLOGICO CABINE ELETTRICHE		
COLLABORATORS: --			GRE CODE		
			GROUP: GRE	FUNCTION: EEC	TYPE: D27
			COUNTRY: IT	PLANT: P167030002501	SYSTEM:
			TEC: 167030002501	PROGRESSIVE:	REVISION:
GRE.EEC.D.27.IT.P.167030002501					
<small>This document is property of Enel Green Power SpA. It is strictly forbidden to reproduce this document, in whole or in part, and to provide to others any related information without the previous written consent by Enel Green Power SpA.</small>					

CABINA SCADA - CONTROL ROOM - Scala 1:50



CABINA DI TRASFORMAZIONE - Scala 1:40



REV.	DATE	DESCRIPTION	PREPARED	CHECKED	APPROVED
01	12/09/2022	Revisione	Lapenna BFP	Mancini BFP	Biscotti BFP
00	22/07/2022	Emissione	Lapenna BFP	Mancini BFP	Biscotti BFP

 <small>BFP Via degli Anzicotti, 8 70026 Polignano (BR) - Italy www.bfp.it Azienda con Sistema di Gestione Certificato UNI EN ISO 9001:2015 UNI EN ISO 14001:2015 UNI ISO 45001:2018</small>		PROJECT: AGRIVOLTAICO NULVI				
MARTE S.R.L.		FILE NAME: GRE.EEC.D.27.IT.P.16703.00.025.00 - TIPOLOGICO CABINE ELETTRICHE				
GRE VALIDATION		CLASSIFICATION:	FORMAT: A1	SCALE: -	PLOT SCALE:	SHEET: 3 di 3
VALIDATED BY: --		TITLE: TIPOLOGICO CABINE ELETTRICHE				
VERIFIED BY: --		GRE CODE				
COLLABORATORS: --		GROUP: GRE	FUNCTION: EEC	TYPE: D27	COUNTRY: IT	PLANT: P167030002501

This document is property of Enel Green Power SpA. It is strictly forbidden to reproduce this document, in whole or in part, and to provide to others any related information without the previous written consent by Enel Green Power SpA.