

PARCO EOLICO MONTE GIAROLO

Il Committente:



Sede Legale:

via Aldo Moro n. 28
25043, Breno (BS)
P.IVA e C.F. 04324160987

Oggetto:

PARTICOLARI COSTRUTTIVI

Titolo:

TIPOLOGICO GRU UTILIZZATO PER STUDIO PIAZZOLE

Il Progettista



Ing. Silvio Mario Bauducco

Data	Emis.	Aggiornamento	Data	Contr.	Data	Autor.
11/2022	SMB	Emissione	11/2022	SMB	11/2022	SMB

SCALA - N.A.

NOVEMBRE 2022

Commessa	Tip. impianto	Fase Progetto	Disciplina	Tip. Doc	Titolo	N. Elab	REV
22100	EO	DE	GN	DS	14	0002	A

PROGETTAZIONE EDILE, AMBIENTALE, STRUTTURALE ED IMPIANTISTICA A CURA DI:

I Tecnici: Coord. gruppo di progettazione
Ing. Silvio Mario Bauducco

Collaboratori
Geom. Benzoni Manuel
Per. Ind. Biasin Emanuele
Ing. Occhiuto Felice
Arch. Ostino Paolo
Arch. Pelleri Martina

BAUTEL S.R.L.

Sede Amministrativa via Maroncelli, 23 10024 Moncalieri (TO)
tel 011.6052113 - 011.6059915 e-mail: amministrazione@bautel.it
Sede operativa Torino - via Maroncelli, 23 10024 Moncalieri (TO)
Sede operativa Genova - via Banderali, 2/4 16121 Genova (GE)

File: testalini relazioni.dwg


TUTTI I DIRITTI SONO RISERVATI - Questo documento è di proprietà esclusiva del progettista ivi indicato sul quale si riserva ogni diritto. Pertanto questo documento non può essere copiato, riprodotto, comunicato o divulgato ad altri o usato in qualsiasi maniera, nemmeno per fini sperimentali, senza autorizzazione scritta dallo stesso progettista.

		165 t +			50 t			11-19 m				8,40 m				9.8 m/s				360°		ISO	
		54 m		60 m		66 m		72 m		78 m		84 m		90 m									
		LSL_2		LSL_2		LSL_2		LSL_1		LSL_2		LSL_1		LSL_2		LSL_1		LSL_2		LSL_1		LSL_2	
		0t-0t		0t-325t		0t-325t		0t-325t		0t-325t		0t-325t		0t-325t		0t-325t		0t-325t		0t-325t		0t-325t	
m	t	t	t	t	t	t	t	t	t	t	t	t	t	t	t	t	t	t	t	t	t	t	m
8	347,0	347,0	-	-	-	-	-	-	-	-	-	-	-	-	-	-	-	-	-	-	-	-	8
9	320,0	347,0	302,0	347,0	286,0	347,0	-	-	-	-	-	-	-	-	-	-	-	-	-	-	-	-	9
10	287,0	347,0	272,0	347,0	258,0	347,0	252,0	347,0	347,0	240,0	325,0	331,0	-	-	-	-	-	-	-	-	-	-	10
11	261,5	347,0	248,5	347,0	236,5	347,0	232,0	347,0	347,0	221,0	325,0	331,0	211,0	271,0	300,0	202,0	250,0	276,0	-	-	-	-	11
12	236,0	347,0	225,0	347,0	215,0	347,0	212,0	347,0	347,0	202,0	325,0	331,0	195,0	271,0	300,0	187,0	250,0	276,0	-	-	-	-	12
14	200,0	347,0	191,0	347,0	183,0	347,0	182,0	347,0	347,0	174,0	325,0	331,0	169,0	271,0	300,0	162,0	248,0	275,0	-	-	-	-	14
16	173,0	347,0	166,0	347,0	159,0	347,0	158,0	347,0	347,0	152,0	323,0	328,0	148,0	270,0	299,0	142,0	248,0	274,0	-	-	-	-	16
18	151,0	347,0	146,0	347,0	140,0	347,0	140,0	347,0	347,0	134,0	322,0	328,0	131,0	264,0	292,0	126,0	242,0	267,0	-	-	-	-	18
20	131,0	347,0	129,0	347,0	124,0	347,0	125,0	347,0	347,0	120,0	322,0	328,0	117,0	261,0	290,0	112,0	236,0	261,0	-	-	-	-	20
22	114,0	347,0	113,0	347,0	111,0	347,0	112,0	337,0	343,0	108,0	321,0	325,0	106,0	259,0	289,0	101,0	232,0	257,0	-	-	-	-	22
24	100,0	347,0	99,5	347,0	97,5	346,0	101,0	326,0	332,0	98,0	308,0	313,0	96,0	253,0	283,0	92,0	227,0	252,0	-	-	-	-	24
26	89,5	323,0	88,0	321,0	86,5	319,0	89,5	316,0	319,0	88,0	296,0	300,0	87,5	244,0	272,0	84,0	220,0	244,0	-	-	-	-	26
28	80,5	299,0	79,0	297,0	77,5	295,0	80,5	298,0	295,0	78,5	284,0	288,0	79,5	235,0	261,0	77,0	211,0	235,0	-	-	-	-	28
30	72,5	278,0	71,5	276,0	69,5	274,0	72,5	277,0	274,0	70,5	273,0	272,0	71,5	226,0	251,0	70,5	203,0	226,0	-	-	-	-	30
34	61,1	245,3	59,8	243,3	57,8	241,3	60,5	244,3	241,3	58,8	241,0	239,3	59,5	207,3	229,6	58,5	187,0	207,3	-	-	-	-	34
38	51,7	216,3	50,1	214,3	48,2	212,3	50,6	215,0	212,6	49,0	212,6	210,6	49,6	190,0	208,0	48,5	171,0	189,0	-	-	-	-	38
42	44,1	191,0	42,5	189,0	40,6	187,0	42,9	189,0	188,0	41,2	188,0	186,0	41,9	174,0	186,0	40,7	155,0	171,0	-	-	-	-	42
46	38,6	165,6	36,9	170,3	34,8	168,3	37,1	170,3	168,6	35,2	168,6	167,3	35,9	159,3	166,6	34,5	142,3	156,3	-	-	-	-	46
49	34,8	147,0	33,1	156,3	30,9	155,3	33,1	157,3	155,5	31,0	155,3	154,3	31,7	148,8	153,3	30,3	133,1	145,6	-	-	-	-	49
50	-	-	32,1	151,6	29,8	151,6	32,0	153,6	152,0	29,9	151,6	150,6	30,6	145,6	149,6	29,2	130,3	142,3	-	-	-	-	50
54	-	-	27,9	133,0	25,5	137,0	27,6	139,0	138,0	25,4	137,0	136,0	26,0	133,0	135,0	24,6	119,0	129,0	-	-	-	-	54
58	-	-	-	-	22,1	123,4	24,2	127,6	126,6	21,9	125,6	124,6	22,4	121,0	123,6	21,0	109,0	116,3	-	-	-	-	58
59	-	-	-	-	21,3	120,0	23,3	124,8	123,8	21,0	122,8	121,8	21,5	118,0	120,8	20,1	106,5	113,1	-	-	-	-	59
62	-	-	-	-	-	-	21,1	117,5	116,5	18,8	115,6	114,6	19,3	109,5	112,6	17,7	99,5	104,6	-	-	-	-	62
64	-	-	-	-	-	-	-	19,8	113,0	112,0	17,5	111,3	110,3	17,9	104,0	107,3	16,3	95,0	99,3	-	-	-	64
66	-	-	-	-	-	-	-	-	-	16,2	107,0	106,0	16,5	99,0	102,0	14,9	90,5	95,0	-	-	-	-	66
69	-	-	-	-	-	-	-	-	-	14,6	99,5	99,0	14,9	92,7	94,2	13,2	84,7	88,2	-	-	-	-	69
70	-	-	-	-	-	-	-	-	-	-	-	-	14,3	90,6	91,6	12,6	83,1	86,0	-	-	-	-	70
74	-	-	-	-	-	-	-	-	-	-	-	-	12,3	82,1	83,5	10,6	76,5	77,3	-	-	-	-	74
75	-	-	-	-	-	-	-	-	-	-	-	-	11,9	80,0	82,0	10,1	74,7	75,2	-	-	-	-	75
78	-	-	-	-	-	-	-	-	-	-	-	-	-	-	-	8,8	69,5	69,0	-	-	-	-	78
80	-	-	-	-	-	-	-	-	-	-	-	-	-	-	-	8,0	66,0	67,0	-	-	-	-	80




165 t +		50 t			11-19 m				8,40 m				9.8 m/s			360°			ISO					
96 m		99 m			102 m				105 m															
LSL_1 LSL_2		LSL_7			LSL_1 LSL_2 LSL_7 LSL_9 LSL_11				LSL_7 LSL_9 LSL_11															
0 t		0 t-325 t			0 t 325 t 0 t				0 t-325 t			0 t			0 t-325 t									
m	t	t	t	t	t	t	t	t	t	t	t	t	t	t	t	t	t	t	m					
12	179,0	216,0	242,0	266,0	166,0	253,0	172,0	196,0	218,0	239,0	267,0	274,0	-	-	-	-	-	-	12					
13	167,5	215,0	241,0	266,0	154,5	253,0	160,5	196,0	217,0	239,0	267,0	273,0	147,0	227,0	255,0	262,0	261,0	13						
14	156,0	214,0	240,0	266,0	143,0	253,0	149,0	196,0	216,0	239,0	267,0	272,0	137,0	227,0	255,0	261,0	261,0	14						
16	137,0	212,0	240,0	266,0	125,0	253,0	131,0	196,0	216,0	239,0	267,0	271,0	119,0	227,0	255,0	260,0	260,0	16						
18	121,0	208,0	240,0	266,0	110,0	253,0	117,0	196,0	216,0	239,0	265,0	269,0	105,0	227,0	253,0	258,0	258,0	18						
20	109,0	204,0	240,0	264,0	98,0	252,0	104,0	195,0	216,0	239,0	264,0	266,0	93,5	227,0	251,0	256,0	256,0	20						
22	98,5	200,0	240,0	260,0	87,5	247,0	94,5	194,0	216,0	234,0	263,0	264,0	83,5	223,0	251,0	254,0	254,0	22						
24	89,0	196,0	240,0	259,0	78,5	245,0	85,5	194,0	215,0	230,0	258,0	260,0	75,0	217,0	246,0	252,0	252,0	24						
26	81,0	192,0	240,0	259,0	71,0	244,0	78,0	193,0	215,0	229,0	255,0	257,0	67,5	216,0	242,0	249,0	249,0	26						
28	74,5	185,0	234,0	258,0	64,0	244,0	71,0	192,0	215,0	228,0	251,0	252,0	61,0	214,0	239,0	245,0	245,0	28						
30	68,5	179,0	231,0	248,0	58,5	237,0	65,0	190,0	214,0	224,0	243,0	245,0	55,0	212,0	231,0	238,0	238,0	30						
34	57,1	165,6	215,3	226,6	48,9	221,6	55,3	181,6	208,3	209,0	226,3	230,3	45,9	197,6	215,0	222,0	222,0	34						
38	47,5	152,3	203,3	204,0	39,9	202,3	46,5	170,3	198,6	194,0	210,0	213,0	37,4	184,3	199,3	206,3	206,3	38						
42	39,7	139,0	184,0	180,0	31,4	179,0	38,5	165,0	182,0	178,0	194,0	193,0	29,4	171,0	184,0	191,0	191,0	42						
46	33,5	127,6	164,6	160,6	25,2	159,6	32,2	157,3	162,6	159,3	174,0	173,0	23,2	156,3	170,0	171,6	171,6	46						
50	28,0	117,0	147,6	143,6	19,9	143,0	26,7	148,0	146,0	142,6	156,0	155,3	17,9	141,6	155,0	154,3	154,3	50						
54	23,4	107,0	133,0	129,0	15,3	129,0	22,1	134,0	132,0	128,0	140,0	140,0	13,3	127,0	139,0	139,0	139,0	54						
58	19,8	98,6	121,6	117,6	11,7	117,0	18,4	122,6	120,0	116,6	128,0	127,3	9,7	115,6	127,0	126,3	126,3	58						
62	16,5	90,3	111,6	107,6	8,5	106,6	15,1	112,3	109,6	106,3	117,3	116,3	6,4	105,4	116,3	115,3	115,3	62						
65	14,4	84,4	105,1	101,1	6,4	100,1	13,0	105,3	103,1	99,3	110,3	109,3	4,2	98,5	109,3	108,3	108,3	65						
66	13,7	82,5	103,0	99,0	5,7	98,0	12,3	103,0	101,0	97,0	108,0	107,0	-	96,0	107,0	106,0	106,0	66						
68	12,5	79,0	99,1	95,2	4,5	94,0	11,1	99,5	97,3	93,2	104,0	102,7	-	92,3	102,7	101,0	101,0	68						
70	11,3	75,5	95,3	91,5	-	90,5	9,9	96,0	93,6	89,6	100,0	98,5	-	88,6	98,5	97,5	97,5	70						
74	9,2	68,8	88,5	84,8	-	83,8	7,7	89,3	86,6	82,8	92,6	91,6	-	81,8	91,5	90,6	90,6	74						
78	7,4	63,5	82,5	78,5	-	77,5	5,9	83,0	80,5	76,5	86,0	85,0	-	75,5	84,5	84,0	84,0	78						
82	5,9	57,8	77,1	73,1	-	72,1	4,2	77,5	75,1	71,5	80,3	79,3	-	68,1	77,8	78,3	78,3	82						
85	4,9	54,0	73,5	69,5	-	68,3	-	73,9	71,4	67,2	76,0	75,3	-	62,6	72,5	73,8	73,8	85						
86	-	-	-	-	-	67,2	-	72,8	70,3	65,5	74,5	74,1	-	60,8	70,6	72,1	72,1	86						
88	-	-	-	-	-	65,0	-	70,6	68,1	62,0	71,5	71,8	-	57,1	66,8	68,8	68,8	88						
90	-	-	-	-	-	-	-	68,5	66,0	58,5	68,5	69,5	-	55,0	63,5	65,5	65,5	90						
93	-	-	-	-	-	-	-	-	-	-	-	-	-	50,0	59,5	59,5	59,5	93						


0 t
65 t
125 t
165 t
205 t
245 t
285 t
325 t

 165 t + 50 t 11-19 m 8,40 m 9.8 m/s 360° ISO															
108 m										111 m					
LSL_1		LSL_2		LSL_5		LSL_7		LSL_9		LSL_11		LSL_13		LSL_13	
0 t		0 t-325 t								0 t		0 t-325 t			
m	t	t	t	t	t	t	t	t	t	t	t	t	t	t	m
13	153,0	177,0	195,0	-	217,0	242,0	251,0	-	-	-	207,0	231,0	240,0	-	13
14	143,0	177,0	195,0	-	217,0	242,0	251,0	-	-	-	207,0	231,0	240,0	-	14
16	125,0	177,0	195,0	-	217,0	242,0	249,0	-	-	-	207,0	231,0	239,0	-	16
18	111,0	177,0	195,0	-	217,0	242,0	248,0	-	-	-	205,0	231,0	238,0	-	18
20	100,0	176,0	195,0	-	216,0	242,0	245,0	-	-	-	203,0	231,0	236,0	-	20
22	90,0	176,0	195,0	-	214,0	242,0	244,0	-	-	-	201,0	231,0	234,0	-	22
24	81,5	175,0	195,0	-	208,0	240,0	243,0	-	-	-	197,0	229,0	233,0	-	24
26	74,0	175,0	194,0	-	205,0	238,0	239,0	-	-	-	194,0	227,0	228,0	-	26
28	67,5	174,0	194,0	-	203,0	236,0	236,0	-	-	-	191,0	227,0	224,0	-	28
30	61,5	174,0	194,0	-	201,0	235,0	230,0	-	-	-	189,0	225,0	219,0	-	30
34	52,4	170,0	191,3	-	188,3	220,0	214,0	-	-	-	177,6	213,0	203,0	-	34
38	44,2	163,0	184,3	-	175,3	207,0	198,3	-	-	-	165,6	201,3	187,6	-	38
42	36,9	158,0	181,0	-	162,0	191,0	183,0	-	-	-	153,0	190,0	173,0	-	42
46	30,6	151,0	161,6	-	150,0	171,6	168,3	-	-	-	141,0	170,6	159,6	-	46
50	25,1	143,6	144,6	-	138,3	154,0	153,3	-	-	-	129,6	153,0	146,6	-	50
54	20,4	133,0	130,0	-	127,0	138,0	138,0	-	-	-	119,0	137,0	134,0	-	54
58	16,7	121,6	118,6	-	115,0	126,0	126,0	-	-	-	109,0	125,0	123,3	-	58
62	13,4	111,3	108,5	-	104,5	115,3	115,0	-	-	-	99,6	114,0	113,2	-	62
66	10,5	102,0	99,5	-	96,0	106,0	105,0	-	-	-	91,0	104,0	103,0	-	66
70	8,1	94,6	91,9	-	88,3	97,2	97,0	-	-	-	82,6	96,3	94,6	-	70
74	5,9	87,8	85,0	-	80,5	90,1	89,6	-	-	-	74,6	89,1	86,5	-	74
77	4,4	83,0	80,5	-	74,5	85,1	84,6	-	-	-	68,9	84,1	80,5	-	77
78	-	81,5	79,0	-	72,5	83,5	83,0	-	-	-	67,0	82,5	78,5	-	78
82	-	76,1	73,6	-	64,8	77,8	76,6	-	-	-	60,0	76,8	70,8	-	82
86	-	71,1	68,6	-	57,8	72,6	69,6	-	-	-	53,2	71,6	64,1	-	86
90	-	66,5	64,0	-	51,5	68,0	62,0	-	-	-	46,8	67,0	57,5	-	90
94	-	62,5	60,4	-	45,0	64,0	55,9	-	-	-	41,0	62,6	50,6	-	94
95	-	61,5	59,5	-	43,4	63,0	54,5	-	-	-	39,7	61,5	49,7	-	95
98	-	-	-	-	-	-	-	-	-	-	35,4	59,0	45,6	-	98


	0 t	65 t	125 t	165 t	205 t	245 t	285 t	325 t
---	-----	------	-------	-------	-------	-------	-------	-------

 165 t + 50 t 11-19 m 8,40 m 9.8 m/s 360° ISO															
114 m											117 m				
LSL_1		LSL_2		LSL_5		LSL_7		LSL_9		LSL_11		LSL_13		LSL_13	
0 t		0 t-325 t								0 t		0 t-325 t			
m	t	t	t	t	t	t	t	t	t	t	t	t	t	t	m
13	146,0	162,0	176,0	185,0	195,0	219,0	230,0	-	-	-	-	-	-	-	13
14	137,0	162,0	175,0	185,0	195,0	219,0	230,0	-	127,0	175,0	184,0	209,0	220,0	-	14
16	120,0	162,0	175,0	185,0	195,0	219,0	229,0	-	112,0	175,0	184,0	209,0	218,0	-	16
18	107,0	161,0	175,0	185,0	195,0	219,0	228,0	-	99,0	175,0	184,0	209,0	218,0	-	18
20	95,5	161,0	175,0	185,0	195,0	219,0	224,0	-	88,0	175,0	183,0	209,0	214,0	-	20
22	86,0	160,0	175,0	185,0	195,0	219,0	223,0	-	78,5	175,0	183,0	208,0	211,0	-	22
24	77,5	160,0	175,0	184,0	194,0	217,0	222,0	-	70,5	174,0	183,0	207,0	210,0	-	24
26	70,5	159,0	175,0	184,0	192,0	217,0	218,0	-	63,5	174,0	182,0	207,0	207,0	-	26
28	64,0	159,0	174,0	183,0	192,0	214,0	213,0	-	57,5	173,0	182,0	205,0	202,0	-	28
30	58,5	159,0	174,0	179,0	191,0	211,0	208,0	-	52,0	172,0	181,0	204,0	197,0	-	30
34	49,6	155,6	172,6	172,3	184,3	199,3	193,3	-	43,2	166,6	175,6	195,0	183,0	-	34
38	41,8	150,3	169,6	166,0	177,6	187,6	178,6	-	35,5	160,6	169,0	186,3	169,0	-	38
42	35,0	146,0	167,0	162,0	171,0	177,0	164,0	-	28,9	156,0	163,0	178,0	155,0	-	42
46	28,7	140,6	156,0	153,3	155,0	165,0	151,3	-	23,2	151,0	151,6	165,3	142,3	-	46
50	23,2	134,6	143,6	142,6	139,6	152,3	139,0	-	18,0	141,6	138,6	151,3	130,3	-	50
54	18,5	130,0	129,0	128,0	125,0	137,0	127,0	-	13,4	127,0	124,0	136,0	119,0	-	54
58	14,8	119,3	117,6	116,6	113,6	124,3	116,3	-	9,7	115,6	112,6	123,3	108,3	-	58
62	11,5	109,3	107,5	106,3	103,0	113,2	106,5	-	6,4	105,4	102,7	112,3	98,5	-	62
65	9,3	102,3	100,7	99,3	96,6	106,0	99,7	-	4,2	98,5	95,8	105,3	92,1	-	65
66	8,6	100,0	98,5	97,0	94,5	104,0	97,5	-	-	96,0	93,5	103,0	90,0	-	66
70	6,2	92,6	90,6	89,3	87,1	96,0	89,1	-	-	88,6	86,1	95,0	82,0	-	70
73	4,4	87,5	85,4	84,0	81,9	90,3	83,1	-	-	83,4	80,9	89,3	76,2	-	73
74	-	85,9	83,8	82,5	80,3	88,6	81,3	-	-	81,8	79,3	87,6	74,5	-	74
78	-	79,5	77,5	76,5	74,0	82,0	74,0	-	-	75,5	73,0	81,0	67,5	-	78
82	-	74,1	72,1	71,1	68,6	76,3	67,0	-	-	70,1	67,6	75,3	60,8	-	82
86	-	69,3	67,3	66,1	63,6	71,0	60,1	-	-	65,1	62,5	70,0	54,5	-	86
90	-	65,0	63,0	61,5	59,0	66,0	54,0	-	-	60,5	57,5	65,0	48,6	-	90
94	-	61,0	59,0	57,5	54,7	62,0	48,1	-	-	56,5	53,1	61,0	42,7	-	94
98	-	57,2	55,2	54,0	50,7	58,1	42,2	-	-	53,2	49,1	57,1	37,0	-	98
101	-	54,5	52,5	51,5	48,0	55,5	37,8	-	-	50,5	46,4	54,4	33,4	-	101
102	-	-	-	-	-	-	-	-	-	49,6	45,5	53,5	32,2	-	102
103	-	-	-	-	-	-	-	-	-	48,8	44,6	52,5	30,9	-	103

	0 t	65 t	125 t	165 t	205 t	245 t	285 t	325 t
---	-----	------	-------	-------	-------	-------	-------	-------

165 t + 50 t 11-19 m 8,40 m 9.8 m/s 360° ISO																								
120 m										123 m														
LSL_1		LSL_2		LSL_5		LSL_7		LSL_9		LSL_11		LSL_13		LSL_5		LSL_7		LSL_9		LSL_11		LSL_13		
0t		0t-325t										0t		0t-325t										
m	t	t	t	t	t	t	t	t	t	t	t	t	t	t	t	t	t	t	t	t	t	t	t	m
14	132,0	138,0	153,0	160,0	176,0	199,0	206,0	214,0	214,0	123,0	153,0	166,0	190,0	197,0	204,0	14								
16	116,0	137,0	152,0	160,0	176,0	199,0	206,0	214,0	214,0	108,0	153,0	166,0	190,0	197,0	204,0	16								
18	103,0	137,0	152,0	160,0	176,0	199,0	206,0	214,0	214,0	95,0	153,0	166,0	190,0	197,0	204,0	18								
20	92,0	137,0	152,0	160,0	176,0	199,0	206,0	213,0	213,0	85,0	152,0	166,0	190,0	197,0	204,0	20								
22	83,0	136,0	151,0	160,0	176,0	198,0	205,0	212,0	212,0	76,0	152,0	166,0	189,0	196,0	203,0	22								
24	75,0	135,0	151,0	160,0	175,0	197,0	204,0	211,0	211,0	68,0	152,0	165,0	189,0	195,0	201,0	24								
26	68,0	135,0	151,0	159,0	174,0	197,0	204,0	211,0	211,0	61,0	151,0	164,0	188,0	195,0	201,0	26								
28	61,0	134,0	151,0	158,0	173,0	196,0	202,0	207,0	207,0	55,0	150,0	164,0	187,0	193,0	198,0	28								
30	56,0	134,0	150,0	157,0	172,0	195,0	201,0	204,0	204,0	49,0	150,0	163,0	186,0	192,0	196,0	30								
34	47,0	132,0	148,0	153,0	168,0	188,0	193,0	193,0	193,0	41,0	148,0	160,0	181,0	186,0	186,0	34								
38	39,0	129,0	147,0	148,0	163,0	181,0	186,0	179,0	179,0	33,0	143,0	155,0	173,0	179,0	174,0	38								
42	33,0	127,0	146,0	144,0	157,0	174,0	179,0	166,0	166,0	27,0	139,0	150,0	167,0	173,0	159,0	42								
46	27,0	123,0	141,0	139,0	149,0	164,0	165,0	152,0	152,0	22,0	135,0	145,0	159,0	162,0	146,0	46								
50	22,0	118,0	136,0	133,0	138,0	151,0	150,0	138,0	138,0	17,0	130,0	136,0	148,0	149,0	133,0	50								
54	18,0	116,0	128,0	127,0	124,0	135,0	135,0	126,0	126,0	12,0	126,0	123,0	134,0	134,0	120,0	54								
58	14,0	112,0	116,0	115,0	112,0	123,0	123,0	114,0	114,0	8,0	114,0	111,0	122,0	122,0	108,0	58								
62	11,0	107,0	106,0	105,0	102,0	111,0	111,0	102,0	102,0	5,0	104,0	101,0	110,0	111,0	97,0	62								
63	10,0	105,0	104,0	103,0	100,0	109,0	108,0	100,0	100,0	4,0	102,0	99,0	108,0	108,0	94,0	63								
66	8,0	100,0	97,0	96,0	93,0	102,0	102,0	92,0	92,0	-	95,0	92,0	101,0	101,0	87,0	66								
70	5,0	92,0	89,0	88,0	85,0	94,0	94,0	83,0	83,0	-	87,0	84,0	93,0	93,0	78,0	70								
72	4,0	88,0	86,0	85,0	81,0	90,0	90,0	78,0	78,0	-	84,0	80,0	89,0	89,0	73,0	72								
74	-	85,0	82,0	81,0	78,0	87,0	86,0	74,0	74,0	-	80,0	77,0	86,0	85,0	69,0	74								
78	-	79,0	76,0	75,0	72,0	80,0	80,0	67,0	67,0	-	74,0	71,0	79,0	79,0	62,0	78								
82	-	73,0	71,0	70,0	67,0	74,0	74,0	60,0	60,0	-	69,0	65,0	73,0	73,0	56,0	82								
86	-	68,0	66,0	65,0	61,0	69,0	69,0	55,0	55,0	-	64,0	60,0	68,0	67,0	50,0	86								
90	-	64,0	62,0	60,0	56,0	64,0	64,0	50,0	50,0	-	59,0	55,0	63,0	63,0	45,0	90								
94	-	60,0	58,0	56,0	52,0	60,0	60,0	47,0	47,0	-	55,0	51,0	59,0	58,0	42,0	94								
98	-	56,0	54,0	52,0	48,0	56,0	56,0	44,0	44,0	-	52,0	46,0	55,0	54,0	39,0	98								
102	-	53,0	51,0	49,0	44,0	53,0	52,0	43,0	43,0	-	48,0	43,0	51,0	51,0	36,0	102								
106	-	50,0	47,0	46,0	40,0	49,0	49,0	42,0	42,0	-	45,0	39,0	48,0	47,0	35,0	106								
108	-	-	-	-	-	-	-	-	-	-	43,0	38,0	46,0	46,0	35,0	108								


0t
65t
125t
165t
205t
245t
285t
325t

 165 t + 50 t 11-19 m 8,40 m 9.8 m/s 360° ISO																									
126 m									129 m																
LSL_1			LSL_2		LSL_5		LSL_7		LSL_9		LSL_11		LSL_13		LSL_5		LSL_7		LSL_9		LSL_11		LSL_13		
0 t			0 t-325 t						0 t			0 t-325 t													
m	t	t	t	t	t	t	t	t	t	t	t	t	t	t	t	t	t	t	t	t	t	t	t	t	m
14	116,0	119,0	133,0	146,0	156,0	179,0	187,0	195,0	-	-	-	-	-	-	-	-	-	-	-	-	-	-	-	-	14
15	114,0	118,5	132,5	146,0	156,0	179,0	187,0	195,0	109,0	137,0	148,0	171,0	178,0	186,0	186,0	186,0	186,0	186,0	186,0	186,0	186,0	186,0	186,0	186,0	15
16	112,0	118,0	132,0	146,0	156,0	179,0	187,0	195,0	102,0	137,0	148,0	171,0	178,0	186,0	186,0	186,0	186,0	186,0	186,0	186,0	186,0	186,0	186,0	186,0	16
18	100,0	118,0	132,0	146,0	156,0	178,0	187,0	195,0	90,5	137,0	147,0	170,0	178,0	186,0	186,0	186,0	186,0	186,0	186,0	186,0	186,0	186,0	186,0	186,0	18
20	89,5	118,0	132,0	145,0	156,0	178,0	187,0	195,0	80,5	136,0	147,0	170,0	178,0	186,0	186,0	186,0	186,0	186,0	186,0	186,0	186,0	186,0	186,0	186,0	20
22	80,5	117,0	132,0	145,0	156,0	177,0	187,0	194,0	71,5	136,0	147,0	169,0	178,0	185,0	185,0	185,0	185,0	185,0	185,0	185,0	185,0	185,0	185,0	185,0	22
24	72,5	116,0	131,0	145,0	156,0	176,0	186,0	194,0	64,0	136,0	147,0	168,0	177,0	185,0	185,0	185,0	185,0	185,0	185,0	185,0	185,0	185,0	185,0	185,0	24
26	66,0	115,0	130,0	144,0	155,0	175,0	185,0	192,0	57,5	135,0	146,0	168,0	176,0	183,0	183,0	183,0	183,0	183,0	183,0	183,0	183,0	183,0	183,0	183,0	26
28	60,0	114,0	130,0	144,0	154,0	175,0	185,0	190,0	51,5	135,0	145,0	167,0	176,0	183,0	183,0	183,0	183,0	183,0	183,0	183,0	183,0	183,0	183,0	183,0	28
30	54,5	114,0	130,0	143,0	153,0	173,0	183,0	189,0	46,6	134,0	145,0	166,0	174,0	181,0	181,0	181,0	181,0	181,0	181,0	181,0	181,0	181,0	181,0	181,0	30
34	46,0	112,3	128,6	141,6	151,6	169,6	178,6	181,6	38,1	133,3	143,0	163,3	171,0	175,6	175,6	175,6	175,6	175,6	175,6	175,6	175,6	175,6	175,6	175,6	34
38	38,6	110,6	127,0	139,0	147,3	165,0	171,6	173,3	30,7	131,3	139,6	159,0	164,6	170,0	170,0	170,0	170,0	170,0	170,0	170,0	170,0	170,0	170,0	170,0	38
42	32,2	108,0	125,0	135,0	142,0	159,0	165,0	164,0	24,5	128,0	135,0	153,0	158,0	162,0	162,0	162,0	162,0	162,0	162,0	162,0	162,0	162,0	162,0	162,0	42
46	27,1	106,0	123,0	131,0	138,0	152,6	155,6	152,6	19,5	124,6	130,0	146,6	149,3	152,0	152,0	152,0	152,0	152,0	152,0	152,0	152,0	152,0	152,0	152,0	46
50	22,2	103,3	119,0	127,3	131,6	144,6	145,6	142,6	15,0	121,6	125,3	140,3	141,3	142,3	142,3	142,3	142,3	142,3	142,3	142,3	142,3	142,3	142,3	142,3	50
54	17,5	100,0	117,0	124,0	123,0	134,0	133,0	132,0	11,0	119,0	120,0	133,0	132,0	131,0	131,0	131,0	131,0	131,0	131,0	131,0	131,0	131,0	131,0	131,0	54
58	13,7	97,0	112,3	113,3	111,0	121,3	121,0	120,0	7,3	111,6	109,3	120,2	119,0	119,0	119,0	119,0	119,0	119,0	119,0	119,0	119,0	119,0	119,0	119,0	58
61	11,1	94,8	108,7	105,6	102,8	112,6	112,5	111,5	4,7	105,0	101,8	111,6	111,5	110,5	110,5	110,5	110,5	110,5	110,5	110,5	110,5	110,5	110,5	110,5	61
62	10,4	94,1	106,5	103,3	100,6	110,3	110,0	109,1	-	102,8	99,6	109,3	109,1	108,1	108,1	108,1	108,1	108,1	108,1	108,1	108,1	108,1	108,1	108,1	62
66	7,5	91,5	97,5	95,0	92,0	101,0	100,0	99,5	-	94,0	91,0	100,0	99,5	98,5	98,5	98,5	98,5	98,5	98,5	98,5	98,5	98,5	98,5	98,5	66
70	5,0	89,0	89,8	87,3	84,3	93,0	92,3	90,1	-	86,3	83,0	91,6	91,1	90,5	90,5	90,5	90,5	90,5	90,5	90,5	90,5	90,5	90,5	90,5	70
71	4,4	88,5	87,9	85,4	82,4	91,0	90,4	87,8	-	84,4	81,0	89,5	89,0	88,5	88,5	88,5	88,5	88,5	88,5	88,5	88,5	88,5	88,5	88,5	71
74	-	84,8	82,8	80,3	77,1	85,5	85,0	81,1	-	79,3	75,5	84,1	83,6	82,5	82,5	82,5	82,5	82,5	82,5	82,5	82,5	82,5	82,5	82,5	74
78	-	78,5	76,5	74,0	70,5	78,5	78,0	72,5	-	73,0	68,5	77,5	77,0	74,5	74,5	74,5	74,5	74,5	74,5	74,5	74,5	74,5	74,5	74,5	78
82	-	73,1	71,1	68,6	64,8	72,8	72,3	65,1	-	67,6	63,0	70,5	70,3	66,5	66,5	66,5	66,5	66,5	66,5	66,5	66,5	66,5	66,5	66,5	82
86	-	68,1	66,1	63,6	59,3	67,6	67,0	58,0	-	62,6	57,5	64,0	64,0	59,3	59,3	59,3	59,3	59,3	59,3	59,3	59,3	59,3	59,3	59,3	86
90	-	63,5	61,5	59,0	54,0	63,0	62,5	52,5	-	58,0	52,5	58,0	58,0	53,0	53,0	53,0	53,0	53,0	53,0	53,0	53,0	53,0	53,0	53,0	90
94	-	59,5	57,5	54,7	49,7	57,6	57,8	48,2	-	53,3	48,2	53,0	53,0	48,0	48,0	48,0	48,0	48,0	48,0	48,0	48,0	48,0	48,0	48,0	94
98	-	55,8	54,0	50,6	45,6	52,9	53,4	44,6	-	49,1	44,1	48,3	48,5	43,8	43,8	43,8	43,8	43,8	43,8	43,8	43,8	43,8	43,8	43,8	98
102	-	52,5	50,5	46,8	41,7	48,9	49,3	41,7	-	45,3	40,2	44,1	44,5	40,4	40,4	40,4	40,4	40,4	40,4	40,4	40,4	40,4	40,4	40,4	102
106	-	48,2	47,5	43,3	38,2	45,5	46,0	40,3	-	41,8	36,7	40,5	41,0	38,4	38,4	38,4	38,4	38,4	38,4	38,4	38,4	38,4	38,4	38,4	106
110	-	42,7	43,2	40,1	35,0	42,4	43,0	39,4	-	38,6	33,5	37,3	37,8	37,0	37,0	37,0	37,0	37,0	37,0	37,0	37,0	37,0	37,0	37,0	110
111	-	41,3	41,9	39,4	34,3	41,7	42,4	39,3	-	37,8	32,8	36,6	37,1	36,9	36,9	36,9	36,9	36,9	36,9	36,9	36,9	36,9	36,9	36,9	111
114	-	-	-	-	-	-	-	-	-	35,7	30,6	34,5	35,2	36,8	36,8	36,8	36,8	36,8	36,8	36,8	36,8	36,8	36,8	36,8	114


0 t
65 t
125 t
165 t
205 t
245 t
285 t
325 t

165 t +		50 t		11-19 m					8,40 m		9.8 m/s		360°		ISO		
132 m										135 m							
LSL_1		LSL_2		LSL_5		LSL_7		LSL_9		LSL_11		LSL_13		LSL_15			
0 t		0 t-325 t										0 t		0 t-325 t			
m	t	t	t	t	t	t	t	t	t	t	t	t	t	t	t	t	m
15	98,5	101,0	115,0	127,0	138,0	156,0	163,0	179,0	190,0	105,0	121,0	130,0	148,0	155,0	170,0	181,0	15
16	98,0	101,0	115,0	127,0	138,0	156,0	163,0	179,0	190,0	99,0	121,0	130,0	148,0	155,0	170,0	181,0	16
18	96,5	100,0	115,0	127,0	137,0	156,0	163,0	178,0	190,0	87,0	121,0	130,0	148,0	155,0	170,0	181,0	18
20	86,5	100,0	114,0	127,0	137,0	156,0	163,0	177,0	190,0	77,5	121,0	130,0	148,0	155,0	170,0	181,0	20
22	78,0	99,5	114,0	127,0	137,0	156,0	162,0	177,0	190,0	69,0	120,0	129,0	148,0	154,0	169,0	181,0	22
24	70,0	98,5	113,0	126,0	137,0	155,0	162,0	176,0	190,0	61,5	120,0	129,0	147,0	154,0	168,0	181,0	24
26	63,5	98,0	113,0	126,0	136,0	155,0	161,0	175,0	190,0	55,0	120,0	129,0	147,0	153,0	167,0	181,0	26
28	58,0	97,0	112,0	125,0	136,0	154,0	161,0	175,0	190,0	49,6	119,0	128,0	147,0	153,0	167,0	181,0	28
30	52,5	96,5	112,0	125,0	135,0	153,0	159,0	174,0	189,0	44,6	118,0	128,0	146,0	152,0	166,0	179,5	30
34	44,2	95,0	111,3	123,6	133,6	149,6	155,6	171,0	186,0	36,3	117,3	126,6	144,0	150,0	164,3	177,0	34
38	36,9	93,3	110,0	121,3	131,3	144,3	148,6	165,3	178,5	29,1	115,6	124,6	140,0	144,3	158,6	172,0	38
42	30,6	91,0	108,0	118,0	128,0	140,0	144,0	156,0	166,0	22,9	113,0	122,0	134,0	139,0	150,0	161,3	42
46	25,6	88,8	106,0	115,3	124,6	135,0	139,0	146,0	152,0	18,0	110,3	118,6	130,0	134,0	140,6	148,0	46
50	21,2	87,0	104,0	112,0	121,6	129,6	133,0	135,3	139,3	13,6	108,0	115,6	125,6	129,3	130,6	136,0	50
54	17,3	85,0	102,0	110,0	119,0	126,0	129,0	126,0	127,0	9,8	106,0	113,0	123,0	126,0	120,0	124,3	54
58	13,6	82,1	99,0	106,0	111,0	118,6	120,2	116,6	115,0	6,2	104,0	109,0	118,2	120,0	110,8	113,0	58
60	11,8	81,0	98,0	105,0	106,0	115,0	115,0	112,0	110,0	4,5	103,0	104,0	114,0	114,0	106,0	108,1	60
62	10,3	79,0	95,7	102,0	101,5	110,3	110,0	106,6	105,0	-	99,6	99,8	109,3	109,1	101,0	103,3	62
66	7,8	77,0	94,0	94,0	92,5	101,0	100,0	96,0	95,8	-	93,0	91,5	100,0	99,5	91,0	94,1	66
70	4,8	74,6	88,0	86,3	84,8	92,6	92,3	86,3	87,5	-	85,6	83,8	91,6	91,5	81,6	85,5	70
71	4,9	73,8	86,5	84,4	82,9	90,5	90,4	83,9	85,5	-	83,8	81,9	89,5	89,5	79,4	83,5	71
74	-	72,0	81,8	79,3	77,8	85,1	85,0	77,1	79,8	-	78,8	76,8	84,1	84,0	73,3	77,8	74
78	-	70,0	75,5	73,0	71,5	78,5	78,0	68,5	72,8	-	72,5	70,5	77,5	77,0	65,0	70,6	78
82	-	67,5	70,1	67,6	65,8	72,8	72,3	61,3	66,5	-	67,1	64,5	71,8	71,3	57,3	64,5	82
86	-	64,1	65,1	62,8	60,8	67,5	67,1	54,5	61,4	-	61,8	59,0	66,5	66,2	50,9	59,5	86
90	-	59,5	60,5	58,5	56,0	62,5	62,5	48,5	56,5	-	57,0	54,0	61,5	61,0	44,9	54,6	90
94	-	54,8	56,5	54,1	51,5	58,1	57,8	43,5	51,5	-	52,3	49,8	57,1	56,6	39,8	50,0	94
98	-	50,4	53,2	50,0	47,3	54,0	53,6	39,0	47,3	-	48,1	45,8	52,8	52,4	35,3	45,6	98
102	-	46,1	49,6	46,0	43,3	50,0	49,9	35,2	43,3	-	44,5	41,9	48,5	48,3	31,3	41,5	102
106	-	41,4	46,4	42,4	39,8	46,2	46,1	32,5	39,6	-	40,9	38,2	44,7	44,5	28,2	37,8	106
110	-	36,7	41,9	39,1	36,5	42,8	42,7	30,4	36,2	-	37,6	35,0	41,1	40,9	25,9	34,4	110
114	-	32,3	36,2	36,1	33,5	39,6	39,5	28,9	33,1	-	34,6	32,0	38,0	37,8	24,1	31,3	114
116	-	29,9	32,9	34,7	32,1	38,3	38,1	28,6	31,7	-	33,2	30,6	36,6	36,4	23,6	29,8	116
118	-	-	-	-	-	-	-	-	-	-	31,8	29,2	35,2	35,0	23,2	28,4	118
119	-	-	-	-	-	-	-	-	-	-	31,2	28,6	34,5	34,3	23,0	27,8	119



LSL_15: 225 t + 50 t

165 t +		50 t		11-19 m				8,40 m				9.8 m/s				360°		ISO										
138 m										141 m																		
LSL_1		LSL_2		LSL_5		LSL_7		LSL_9		LSL_11		LSL_13		LSL_15		LSL_5		LSL_7		LSL_9		LSL_11		LSL_13		LSL_15		
0 t		0 t - 325 t										0 t		0 t - 325 t														
m	t	t	t	t	t	t	t	t	t	t	t	t	t	t	t	t	t	t	t	t	t	t	t	t	t	t	t	m
15	84,5	87,5	98,5	117,0	123,0	140,0	146,0	162,0	171,0	-	-	-	-	-	-	-	-	-	-	-	-	-	-	-	-	-	15	
16	84,5	87,0	98,5	117,0	123,0	140,0	146,0	162,0	171,0	93,5	111,0	116,0	131,0	139,0	153,0	163,0	-	-	-	-	-	-	-	-	-	-	-	16
18	84,0	86,5	98,0	117,0	122,0	140,0	146,0	162,0	171,0	82,0	111,0	116,0	130,0	139,0	153,0	163,0	-	-	-	-	-	-	-	-	-	-	-	18
20	83,0	86,0	97,5	117,0	122,0	139,0	146,0	162,0	171,0	72,5	111,0	116,0	130,0	139,0	153,0	163,0	-	-	-	-	-	-	-	-	-	-	-	20
22	75,5	85,0	97,0	117,0	122,0	139,0	146,0	162,0	171,0	64,5	110,0	115,0	130,0	139,0	153,0	163,0	-	-	-	-	-	-	-	-	-	-	-	22
24	68,0	84,5	96,5	116,0	122,0	138,0	145,0	161,0	171,0	57,5	110,0	115,0	129,0	138,0	153,0	162,0	-	-	-	-	-	-	-	-	-	-	-	24
26	61,5	83,5	96,0	116,0	121,0	137,0	145,0	161,0	171,0	51,0	110,0	115,0	129,0	138,0	153,0	162,0	-	-	-	-	-	-	-	-	-	-	-	26
28	56,0	82,5	95,0	115,0	121,0	136,0	145,0	160,0	171,0	45,7	109,0	114,0	129,0	138,0	152,0	162,0	-	-	-	-	-	-	-	-	-	-	-	28
30	51,0	82,0	94,5	115,0	120,0	135,0	144,0	160,0	170,0	40,8	109,0	114,0	129,0	137,0	152,0	161,5	-	-	-	-	-	-	-	-	-	-	-	30
34	42,8	80,6	93,5	113,6	119,3	132,3	142,0	154,0	168,0	32,6	107,6	112,6	127,6	134,6	147,3	159,5	-	-	-	-	-	-	-	-	-	-	-	34
38	35,6	79,5	92,1	112,0	117,6	128,0	137,6	146,6	163,5	25,5	106,3	111,0	125,3	131,0	140,6	156,0	-	-	-	-	-	-	-	-	-	-	-	38
42	29,4	77,5	90,5	110,0	115,0	124,0	133,0	138,0	155,0	19,5	105,0	109,0	122,0	127,0	134,0	149,6	-	-	-	-	-	-	-	-	-	-	-	42
46	24,5	75,8	88,8	107,3	112,3	119,0	128,6	128,0	145,0	14,7	102,3	106,3	119,3	122,3	124,0	141,0	-	-	-	-	-	-	-	-	-	-	-	46
50	20,1	74,0	87,1	104,6	109,6	114,3	124,3	117,8	133,0	10,4	100,0	104,0	116,6	119,3	114,3	129,6	-	-	-	-	-	-	-	-	-	-	-	50
54	16,3	72,0	86,0	102,0	107,0	110,0	121,0	107,0	121,8	6,6	98,0	102,0	114,0	116,0	105,0	119,0	-	-	-	-	-	-	-	-	-	-	-	54
57	13,9	71,0	84,7	100,5	105,0	107,0	119,0	99,7	114,0	4,2	96,5	100,2	111,2	112,2	97,7	111,5	-	-	-	-	-	-	-	-	-	-	-	57
58	13,1	70,6	84,3	100,0	104,0	106,0	117,0	97,3	111,0	-	96,0	99,8	110,5	111,5	95,3	109,0	-	-	-	-	-	-	-	-	-	-	-	58
62	10,0	69,0	82,2	96,6	98,0	101,1	108,3	88,1	102,0	-	92,8	95,1	105,0	105,8	85,8	99,6	-	-	-	-	-	-	-	-	-	-	-	62
66	7,1	67,0	80,5	91,0	90,0	97,5	99,0	79,5	93,1	-	88,5	87,5	97,0	97,5	76,5	90,8	-	-	-	-	-	-	-	-	-	-	-	66
70	4,5	65,2	77,8	84,0	82,6	90,5	90,6	70,8	84,5	-	81,8	80,5	89,6	89,5	68,1	82,5	-	-	-	-	-	-	-	-	-	-	-	70
74	-	62,6	75,3	76,5	75,6	83,6	83,1	62,5	77,1	-	75,0	73,8	82,5	82,1	60,1	75,1	-	-	-	-	-	-	-	-	-	-	-	74
78	-	61,0	74,0	68,5	69,0	77,0	76,5	55,0	70,1	-	68,0	67,5	75,5	75,5	52,5	68,1	-	-	-	-	-	-	-	-	-	-	-	78
82	-	58,8	69,6	60,5	63,0	71,3	70,8	48,4	64,0	-	60,0	61,5	69,9	69,5	46,0	62,0	-	-	-	-	-	-	-	-	-	-	-	82
86	-	56,6	65,3	52,8	58,0	65,8	65,5	42,3	57,6	-	52,4	56,0	64,5	64,3	39,9	56,6	-	-	-	-	-	-	-	-	-	-	-	86
90	-	54,0	61,0	46,1	53,0	61,0	60,5	36,8	51,9	-	45,3	51,0	59,5	59,0	34,3	51,8	-	-	-	-	-	-	-	-	-	-	-	90
94	-	50,2	56,6	40,9	48,6	56,3	55,8	32,0	46,8	-	40,2	46,9	54,5	54,3	29,5	47,5	-	-	-	-	-	-	-	-	-	-	-	94
98	-	46,3	52,8	36,1	44,5	51,9	51,4	27,8	42,2	-	35,4	42,9	50,0	49,9	25,2	42,9	-	-	-	-	-	-	-	-	-	-	-	98
102	-	42,3	48,4	31,6	40,6	47,8	47,3	24,0	38,0	-	30,9	39,0	46,0	45,7	21,4	38,5	-	-	-	-	-	-	-	-	-	-	-	102
106	-	38,4	42,4	27,7	37,0	44,0	43,5	21,0	34,1	-	26,9	35,5	42,1	41,8	18,2	34,4	-	-	-	-	-	-	-	-	-	-	-	106
110	-	35,0	36,7	24,1	33,7	40,3	39,9	18,6	30,7	-	23,2	32,2	38,6	38,3	15,5	30,7	-	-	-	-	-	-	-	-	-	-	-	110
114	-	31,2	31,1	20,9	30,7	37,1	36,7	16,6	27,6	-	20,0	29,2	35,3	35,0	13,3	27,5	-	-	-	-	-	-	-	-	-	-	-	114
118	-	27,2	25,1	18,3	27,9	34,1	33,9	15,3	24,9	-	17,1	26,4	32,4	32,1	11,8	24,5	-	-	-	-	-	-	-	-	-	-	-	118
121	-	24,3	21,0	16,4	26,0	32,0	31,8	14,6	23,2	-	15,2	24,5	30,3	30,0	10,9	22,7	-	-	-	-	-	-	-	-	-	-	-	121
122	-	-	-	-	-	-	-	-	-	-	14,6	23,9	29,7	29,4	10,7	22,1	-	-	-	-	-	-	-	-	-	-	-	122
124	-	-	-	-	-	-	-	-	-	-	13,5	22,7	28,5	28,2	10,4	21,0	-	-	-	-	-	-	-	-	-	-	-	124


0 t
65 t
125 t
165 t
205 t
245 t
285 t
325 t

LSL_15:  225 t +  50 t

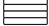
165 t +		50 t		11-19 m				8,40 m				9.8 m/s				360°		ISO	
144 m														147 m					
LSL_1		LSL_2		LSL_5		LSL_7		LSL_9		LSL_11		LSL_13		LSL_15					
0 t		0 t-325 t												0 t		0 t-325 t			
m	t	t	t	t	t	t	t	t	t	t	t	t	t	t	t	t	t	m	
16	73,0	75,5	86,0	102,0	106,0	126,0	133,0	142,0	156,0	90,0	97,0	101,0	120,0	126,0	135,0	148,0	16		
18	72,5	75,0	85,5	102,0	106,0	125,0	133,0	142,0	156,0	79,0	96,5	100,0	119,0	126,0	135,0	148,0	18		
20	72,0	74,5	85,0	101,0	105,0	125,0	133,0	141,0	156,0	70,0	96,0	100,0	119,0	126,0	135,0	148,0	20		
22	71,0	73,5	84,5	101,0	105,0	125,0	132,0	141,0	156,0	62,0	96,0	100,0	119,0	126,0	135,0	148,0	22		
24	65,5	72,5	84,0	101,0	105,0	124,0	132,0	140,0	156,0	55,0	95,5	100,0	119,0	125,0	135,0	148,0	24		
26	59,0	71,5	83,0	101,0	105,0	124,0	131,0	140,0	155,0	49,0	95,5	99,5	118,0	125,0	134,0	147,0	26		
28	53,5	71,0	82,5	100,0	104,0	124,0	130,0	139,0	154,0	43,6	95,5	99,0	118,0	124,0	133,0	146,0	28		
30	48,9	70,0	81,5	100,0	103,0	124,0	130,0	138,0	153,5	38,8	95,0	98,5	118,0	124,0	132,0	145,5	30		
34	40,8	68,0	80,3	99,0	101,0	122,0	127,3	135,3	152,0	30,8	94,0	97,1	116,6	122,0	130,0	144,0	34		
38	33,7	66,8	79,3	97,8	100,3	120,0	122,3	131,3	149,0	23,9	93,0	96,0	114,6	119,3	126,0	141,5	38		
42	27,6	65,5	78,0	96,5	99,0	118,0	119,0	127,0	144,0	18,0	92,0	95,0	113,0	116,0	122,0	137,3	42		
46	22,8	63,8	76,3	94,5	95,6	115,3	114,6	122,3	138,0	13,2	90,0	93,0	109,3	111,6	117,6	132,0	46		
50	18,5	62,0	74,6	92,5	92,1	112,6	110,0	117,0	127,3	9,0	88,1	90,0	107,0	108,0	112,0	122,6	50		
54	14,7	60,0	73,0	90,5	89,5	110,0	106,0	113,0	116,6	5,3	86,5	88,0	105,0	105,0	109,0	113,0	54		
55	13,9	59,3	72,5	90,0	89,0	109,0	105,0	111,0	114,0	4,5	86,0	86,7	104,3	103,8	107,1	110,7	55		
58	11,5	58,3	71,3	88,7	86,3	107,0	102,0	108,0	107,0	-	84,8	84,7	102,3	101,3	104,0	104,0	58		
62	8,6	56,6	69,5	86,1	83,5	102,5	98,3	102,6	98,0	-	83,1	81,8	98,3	97,8	99,3	95,3	62		
66	6,0	55,0	68,0	84,5	80,5	95,5	95,0	96,0	89,5	-	81,5	79,5	93,0	93,5	94,0	87,1	66		
69	4,0	53,7	66,0	80,7	78,7	90,0	90,0	90,2	83,5	-	78,2	77,7	87,7	88,2	88,2	81,4	69		
70	-	53,3	65,6	79,5	78,1	88,1	88,3	88,3	81,5	-	77,1	77,1	86,0	86,5	86,3	79,5	70		
74	-	51,6	63,8	74,3	74,3	81,1	81,6	81,0	74,1	-	72,3	73,0	79,3	79,6	79,1	72,3	74		
78	-	50,0	62,0	69,0	69,0	74,5	75,0	74,0	67,5	-	67,0	67,0	73,0	73,0	72,5	65,5	78		
82	-	48,3	60,6	63,4	63,4	68,9	69,0	68,2	61,5	-	61,6	61,6	66,6	67,0	66,5	59,5	82		
86	-	46,7	58,3	58,5	58,5	63,5	63,5	63,0	56,1	-	56,3	56,5	61,5	61,5	61,0	54,1	86		
90	-	44,9	57,0	53,5	53,5	58,5	58,5	58,0	51,2	-	51,0	51,5	56,5	56,5	56,0	49,1	90		
94	-	41,9	52,5	47,7	49,1	53,5	53,8	53,3	46,7	-	45,6	47,3	52,1	52,1	51,5	44,7	94		
98	-	38,4	47,5	42,0	45,0	49,0	49,4	48,8	42,5	-	40,2	43,4	47,8	47,7	46,9	40,6	98		
102	-	35,0	43,0	36,4	41,2	45,1	45,2	44,6	38,6	-	34,9	39,7	43,6	43,5	42,2	36,7	102		
106	-	31,7	38,0	31,4	37,3	41,2	41,2	40,7	34,9	-	30,1	36,2	39,8	39,7	37,8	33,1	106		
110	-	28,5	33,0	26,9	32,6	37,7	37,3	37,2	31,4	-	25,8	32,2	36,2	36,1	33,8	29,7	110		
114	-	25,0	28,5	23,0	27,5	34,4	33,3	33,8	28,3	-	21,8	27,6	32,9	32,8	30,1	26,5	114		
118	-	21,5	23,3	19,6	23,4	31,4	29,6	30,8	25,3	-	18,4	23,4	29,8	29,0	26,9	23,5	118		
122	-	18,0	18,3	16,6	20,2	28,7	26,4	28,1	22,6	-	15,3	19,7	27,1	25,5	23,9	20,8	122		
126	-	14,7	13,4	14,2	17,5	26,3	23,6	25,7	20,2	-	12,6	16,8	24,6	22,3	21,3	18,3	126		
127	-	13,8	12,1	13,7	17,0	25,7	23,0	25,1	19,6	-	12,0	16,1	24,0	21,6	20,7	17,7	127		
129	-	-	-	-	-	-	-	-	-	-	10,9	14,9	22,9	20,4	19,7	16,6	129		


0 t
65 t
125 t
165 t
205 t
245 t
285 t
325 t

LSL_15:  225 t +  50 t


165 t +		50 t		11-19 m				8,40 m		9.8 m/s		360°		ISO									
150 m								153 m															
LSL_5		LSL_7		LSL_9		LSL_11		LSL_13		LSL_15		LSL_5		LSL_7		LSL_9		LSL_11		LSL_13		LSL_15	
0 t		0 t-325 t						0 t		0 t-325 t													
m	t	t	t	t	t	t	t	t	t	t	t	t	t	t	t	t	t	t	t	t	t	t	m
16	87,0	90,5	95,5	113,0	119,0	129,0	141,0	-	-	-	-	-	-	-	-	-	-	-	-	-	-	-	16
17	82,7	90,2	95,5	113,0	119,0	129,0	141,0	81,5	86,0	90,5	108,0	113,0	122,0	133,0	133,0	133,0	133,0	133,0	133,0	133,0	133,0	133,0	17
18	79,0	90,0	95,5	113,0	119,0	129,0	141,0	77,0	86,0	90,5	108,0	113,0	122,0	133,0	133,0	133,0	133,0	133,0	133,0	133,0	133,0	133,0	18
20	70,0	90,0	95,0	113,0	119,0	128,0	141,0	68,0	85,5	90,0	107,0	113,0	122,0	133,0	133,0	133,0	133,0	133,0	133,0	133,0	133,0	133,0	20
22	62,0	89,5	94,5	112,0	119,0	128,0	141,0	60,0	85,0	90,0	107,0	113,0	122,0	133,0	133,0	133,0	133,0	133,0	133,0	133,0	133,0	133,0	22
24	55,0	89,0	94,5	112,0	119,0	128,0	140,0	53,5	84,5	89,5	107,0	113,0	122,0	133,0	133,0	133,0	133,0	133,0	133,0	133,0	133,0	133,0	24
26	49,3	89,0	94,0	112,0	118,0	128,0	139,5	47,7	84,5	89,0	107,0	112,0	121,0	132,0	132,0	132,0	132,0	132,0	132,0	132,0	132,0	132,0	26
28	44,0	88,5	93,5	112,0	118,0	127,0	139,0	42,4	84,0	89,0	106,0	112,0	121,0	131,0	131,0	131,0	131,0	131,0	131,0	131,0	131,0	131,0	28
30	39,2	88,0	93,0	111,0	117,0	127,0	138,0	37,7	83,5	88,5	106,0	111,0	120,0	130,5	130,5	130,5	130,5	130,5	130,5	130,5	130,5	130,5	30
34	31,4	87,0	92,0	109,6	115,6	124,3	137,0	29,9	82,8	87,5	104,6	109,6	118,0	129,5	129,5	129,5	129,5	129,5	129,5	129,5	129,5	129,5	34
38	24,5	85,8	91,0	108,3	112,6	120,3	135,0	23,1	82,0	86,6	103,3	107,6	115,3	128,0	128,0	128,0	128,0	128,0	128,0	128,0	128,0	128,0	38
42	18,6	84,5	90,0	107,0	110,0	117,0	130,6	17,3	81,0	86,0	102,0	105,0	112,0	124,6	124,6	124,6	124,6	124,6	124,6	124,6	124,6	124,6	42
46	14,0	82,8	88,3	104,3	106,6	112,6	126,0	12,7	79,6	84,3	99,3	101,6	107,6	120,0	120,0	120,0	120,0	120,0	120,0	120,0	120,0	120,0	46
50	9,8	81,1	85,7	101,8	103,6	109,0	118,6	8,5	78,2	82,8	97,0	99,3	103,2	115,2	115,2	115,2	115,2	115,2	115,2	115,2	115,2	115,2	50
54	6,0	79,5	84,0	99,5	100,0	104,0	110,8	4,8	76,5	81,5	94,5	96,5	100,0	107,6	107,6	107,6	107,6	107,6	107,6	107,6	107,6	107,6	54
55	5,2	78,5	83,0	99,0	99,2	102,7	108,6	4,0	76,1	80,5	93,9	95,8	99,0	105,5	105,5	105,5	105,5	105,5	105,5	105,5	105,5	105,5	55
56	4,4	78,1	82,1	98,5	98,5	101,5	106,4	-	75,8	79,6	93,3	95,1	98,0	103,3	103,3	103,3	103,3	103,3	103,3	103,3	103,3	103,3	56
58	-	77,3	81,0	97,5	97,0	100,0	102,0	-	75,1	78,8	92,1	93,8	96,5	99,0	99,0	99,0	99,0	99,0	99,0	99,0	99,0	99,0	58
62	-	75,1	78,6	94,6	94,1	96,3	93,6	-	73,3	76,6	90,0	90,3	93,3	91,0	91,0	91,0	91,0	91,0	91,0	91,0	91,0	91,0	62
66	-	73,5	76,5	91,0	91,5	92,0	85,6	-	72,0	75,0	88,0	88,0	90,0	83,1	83,1	83,1	83,1	83,1	83,1	83,1	83,1	83,1	66
70	-	71,0	74,5	84,3	84,8	84,6	78,0	-	69,3	73,0	82,0	82,0	82,6	75,5	75,5	75,5	75,5	75,5	75,5	75,5	75,5	75,5	70
74	-	68,8	70,8	77,8	78,1	77,6	70,8	-	67,0	69,2	76,0	75,7	75,6	68,7	68,7	68,7	68,7	68,7	68,7	68,7	68,7	68,7	74
78	-	66,5	65,5	71,5	71,5	71,0	64,5	-	64,0	63,5	69,5	69,5	69,0	62,5	62,5	62,5	62,5	62,5	62,5	62,5	62,5	62,5	78
82	-	62,5	60,1	65,5	65,5	65,3	58,5	-	60,8	58,5	63,8	63,8	63,3	56,5	56,5	56,5	56,5	56,5	56,5	56,5	56,5	56,5	82
86	-	58,1	55,1	60,1	60,1	60,0	53,1	-	56,1	53,6	58,5	58,5	57,6	51,4	51,4	51,4	51,4	51,4	51,4	51,4	51,4	51,4	86
90	-	53,5	50,5	55,5	55,5	55,0	48,2	-	51,5	49,0	53,5	53,5	52,0	46,4	46,4	46,4	46,4	46,4	46,4	46,4	46,4	46,4	90
94	-	48,9	46,1	50,9	50,9	49,8	43,8	-	47,3	44,6	49,3	49,1	46,2	41,9	41,9	41,9	41,9	41,9	41,9	41,9	41,9	41,9	94
98	-	44,8	42,0	46,6	46,6	44,6	39,8	-	43,1	40,5	45,0	44,8	40,8	37,9	37,9	37,9	37,9	37,9	37,9	37,9	37,9	37,9	98
102	-	41,0	38,3	42,5	42,5	39,9	35,9	-	39,4	36,7	41,0	40,5	35,8	34,1	34,1	34,1	34,1	34,1	34,1	34,1	34,1	34,1	102
106	-	36,1	34,9	38,7	38,7	35,5	32,4	-	34,3	33,3	37,2	35,4	31,3	30,5	30,5	30,5	30,5	30,5	30,5	30,5	30,5	30,5	106
110	-	30,5	30,7	35,1	34,6	31,3	29,0	-	29,0	29,6	32,9	30,6	27,1	27,2	27,2	27,2	27,2	27,2	27,2	27,2	27,2	27,2	110
114	-	24,9	25,5	31,8	30,2	27,6	25,7	-	23,5	25,5	28,2	26,2	23,3	24,0	24,0	24,0	24,0	24,0	24,0	24,0	24,0	24,0	114
118	-	20,4	20,9	28,8	26,2	24,3	22,8	-	18,9	20,5	24,0	22,2	20,0	21,1	21,1	21,1	21,1	21,1	21,1	21,1	21,1	21,1	118
122	-	16,4	17,2	26,0	22,5	21,3	20,1	-	15,0	16,1	20,2	18,5	17,0	18,3	18,3	18,3	18,3	18,3	18,3	18,3	18,3	18,3	122
126	-	13,2	14,0	23,4	19,2	18,6	17,6	-	11,5	13,0	16,8	15,4	14,4	15,8	15,8	15,8	15,8	15,8	15,8	15,8	15,8	15,8	126
130	-	11,2	11,5	21,1	16,5	16,4	15,3	-	9,3	10,4	13,9	12,6	12,3	13,5	13,5	13,5	13,5	13,5	13,5	13,5	13,5	13,5	130
132	-	10,3	10,5	20,1	15,3	15,3	14,2	-	8,2	9,1	12,5	11,3	11,3	12,4	12,4	12,4	12,4	12,4	12,4	12,4	12,4	12,4	132
134	-	-	-	-	-	-	-	-	7,2	8,0	11,4	10,2	10,5	11,3	11,3	11,3	11,3	11,3	11,3	11,3	11,3	11,3	134


0t
65t
125t
165t
205t
245t
285t
325t

LSL_15:  225 t +  50 t

165 t +		50 t		11-19 m				8,40 m		9.8 m/s		360°		ISO									
156 m										159 m													
LSL_5		LSL_7		LSL_9		LSL_11		LSL_13		LSL_15		LSL_5		LSL_7		LSL_9		LSL_11		LSL_13		LSL_15	
0 t		0 t - 325 t						0 t		0 t - 325 t													
m	t	t	t	t	t	t	t	t	t	t	t	t	t	t	t	t	t	t	t	t	t	t	m
17	77,0	79,0	85,5	102,0	108,0	116,0	128,0	73,0	75,5	81,0	97,0	102,0	109,0	121,0	17								
18	75,5	79,0	85,0	102,0	108,0	116,0	128,0	72,5	75,0	80,5	97,0	101,0	109,0	121,0	18								
20	67,0	78,5	85,0	102,0	108,0	116,0	127,0	65,0	74,5	80,5	96,5	101,0	109,0	121,0	20								
22	59,5	78,0	84,5	102,0	108,0	116,0	127,0	57,5	74,5	80,0	96,5	101,0	108,0	121,0	22								
24	52,5	78,0	84,0	101,0	108,0	116,0	127,0	51,0	74,0	79,5	96,0	101,0	108,0	120,0	24								
26	47,1	77,5	84,0	100,0	107,0	116,0	126,5	45,5	73,5	79,5	95,5	100,0	107,0	119,5	26								
28	41,8	77,0	83,5	99,5	106,0	115,0	126,0	40,3	73,5	79,0	95,5	99,5	107,0	119,0	28								
30	37,2	76,5	83,5	98,5	104,0	115,0	125,0	35,7	73,0	79,0	95,0	98,5	106,0	118,5	30								
34	29,6	75,5	82,5	96,5	102,0	113,0	124,0	28,1	72,0	78,0	93,6	96,8	104,0	117,5	34								
38	22,8	74,6	81,6	94,1	99,5	110,6	122,0	21,5	71,1	77,1	91,8	94,6	101,8	116,0	38								
42	17,0	74,0	81,0	91,5	96,5	108,0	119,3	15,7	70,5	76,5	89,5	92,0	99,5	113,6	42								
46	12,4	72,6	79,3	88,3	92,6	103,8	116,0	11,1	69,5	75,1	87,1	89,0	95,8	111,0	46								
50	8,3	71,2	78,0	84,8	89,5	99,8	112,6	7,0	68,3	74,0	84,3	85,6	92,0	107,6	50								
53	5,6	70,2	76,8	82,7	87,2	97,6	110,0	4,3	67,3	72,8	82,5	83,6	89,7	104,5	53								
54	4,7	70,0	76,5	82,0	86,5	97,0	109,0	-	67,0	72,5	82,0	83,0	89,0	103,1	54								
58	-	68,3	75,1	78,5	82,5	94,0	100,0	-	65,6	71,1	78,8	79,5	85,0	97,5	58								
62	-	66,8	73,8	75,3	78,8	90,0	92,6	-	64,3	69,8	75,8	76,1	81,6	90,1	62								
66	-	65,5	72,5	72,0	75,5	87,0	85,5	-	63,0	68,5	73,5	73,5	78,0	83,0	66								
70	-	63,3	71,1	68,6	72,1	80,6	78,5	-	61,6	67,1	70,6	70,3	75,0	76,0	70								
74	-	61,1	68,3	64,5	67,5	74,5	72,1	-	59,7	65,5	67,0	66,5	69,5	69,5	74								
78	-	59,5	63,5	59,5	62,5	68,0	66,0	-	57,5	61,5	62,0	61,0	61,5	63,6	78								
82	-	57,5	58,5	54,1	57,5	62,3	60,0	-	55,5	56,5	57,0	55,6	53,8	58,0	82								
86	-	54,8	53,7	49,0	52,4	56,3	54,6	-	53,0	51,8	52,1	50,3	46,8	52,6	86								
90	-	51,5	49,3	44,2	47,4	50,0	49,7	-	50,0	47,6	47,5	45,1	40,3	47,8	90								
94	-	47,5	44,9	39,2	42,4	44,6	45,3	-	45,9	43,3	42,6	39,7	33,9	43,4	94								
98	-	43,4	40,8	34,2	37,3	39,2	41,1	-	41,9	39,2	37,6	34,5	28,1	39,2	98								
102	-	39,4	36,9	29,3	32,3	34,0	37,3	-	37,9	35,3	32,6	29,3	22,7	35,4	102								
106	-	36,1	33,5	24,8	27,6	29,4	33,8	-	34,5	31,9	27,5	24,8	18,0	31,9	106								
110	-	32,4	30,3	20,5	23,2	25,2	30,4	-	30,9	28,8	22,9	20,6	13,9	28,6	110								
114	-	28,2	27,1	16,6	19,2	21,3	27,1	-	25,8	25,8	18,5	16,6	10,1	25,5	114								
118	-	23,4	22,2	13,1	15,6	17,9	23,9	-	20,7	20,8	14,6	13,0	6,8	22,6	118								
122	-	19,0	17,7	9,8	12,2	14,9	20,7	-	16,5	16,3	11,0	9,7	4,1	19,8	122								
126	-	15,5	14,3	7,0	9,3	12,2	17,8	-	12,5	12,6	7,8	6,7	-	17,2	126								
130	-	12,1	11,2	4,9	6,7	10,0	15,2	-	9,1	9,4	5,0	4,1	-	14,6	130								
131	-	11,2	10,4	-	6,1	9,5	14,6	-	8,3	8,6	4,3	-	-	14,0	131								
134	-	9,0	8,5	-	-	8,2	12,9	-	6,4	6,6	-	-	-	12,2	134								
137	-	6,9	6,8	-	-	7,1	11,4	-	4,9	4,8	-	-	-	10,5	137								
138	-	-	-	-	-	-	-	-	4,4	4,3	-	-	-	10,0	138								
140	-	-	-	-	-	-	-	-	-	-	-	-	-	9,0	140								


0 t
65 t
125 t
165 t
205 t
245 t
285 t
325 t

LSL_15:  225 t +  50 t

165 t +		50 t				11-19 m				8,40 m				9.8 m/s				360°		ISO			
		162 m				165 m				168 m				171 m									
		LSL_9		LSL_11		LSL_13		LSL_15		LSL_9		LSL_11		LSL_13		LSL_15		LSL_13		LSL_15			
		0 t		0 t-325 t				0 t		0 t-325 t				0 t		0 t-325 t				0 t		0 t-325 t	
m	t	t	t	t	t	t	t	t	t	t	t	t	t	t	t	t	t	t	t	t	m		
18	70,5	91,5	96,0	104,0	115,0	68,5	86,0	90,5	98,0	109,0	65,5	92,0	104,0	63,5	87,0	97,5	18						
20	61,5	91,0	95,5	103,0	115,0	59,5	85,5	90,5	98,0	109,0	57,0	91,5	104,0	55,0	86,5	97,5	20						
22	54,0	90,5	95,5	103,0	114,0	52,0	85,0	90,0	97,5	108,0	49,9	91,5	103,0	47,9	86,0	97,0	22						
24	47,8	90,5	95,5	103,0	114,0	45,9	85,0	90,0	97,5	108,0	43,5	91,5	103,0	41,5	86,0	96,5	24						
26	41,9	90,0	95,0	103,0	113,5	40,1	84,5	90,0	97,5	107,5	37,7	91,0	102,5	35,8	86,0	96,2	26						
28	36,6	90,0	94,5	102,0	113,0	34,9	84,5	89,5	97,0	107,0	32,6	90,5	102,0	30,8	85,5	96,0	28						
30	32,0	89,5	94,0	102,0	112,5	30,3	84,0	89,0	96,5	106,5	28,0	90,5	101,5	26,2	85,0	95,2	30						
34	24,2	88,5	92,6	100,3	111,5	22,7	83,3	88,3	95,8	105,5	20,4	90,1	100,5	18,7	84,6	94,2	34						
38	17,4	87,1	90,8	98,5	110,0	15,9	82,5	87,1	94,8	104,0	13,7	89,3	99,5	12,1	84,0	93,2	38						
42	11,6	85,5	88,5	96,5	108,0	10,1	81,5	85,5	93,5	102,0	8,0	88,0	98,1	6,4	83,0	91,8	42						
43	10,4	85,0	88,0	95,7	107,5	8,9	81,1	85,0	93,0	101,5	6,8	87,5	97,7	5,1	82,5	91,5	43						
45	8,1	84,0	87,0	94,2	106,5	6,5	80,3	83,8	91,8	100,5	4,4	86,5	96,9	-	81,7	90,8	45						
46	7,0	83,5	86,0	93,5	106,0	5,3	80,0	83,2	91,2	100,0	-	86,0	96,5	-	81,3	90,5	46						
47	5,8	83,0	85,2	92,7	105,2	4,2	79,7	82,6	90,6	99,5	-	85,5	96,0	-	80,9	90,0	47						
48	4,7	82,5	84,5	92,0	104,4	-	79,5	82,0	90,0	99,0	-	85,0	95,5	-	80,5	89,4	48						
50	-	81,3	83,1	90,1	102,8	-	78,5	80,8	88,5	98,0	-	83,6	94,3	-	79,5	88,2	50						
54	-	79,0	80,5	87,5	99,0	-	76,5	78,5	86,0	94,8	-	81,5	91,6	-	77,5	85,6	54						
58	-	77,0	78,1	83,8	95,0	-	75,1	76,5	83,6	91,5	-	79,3	89,0	-	75,5	83,0	58						
62	-	74,5	75,3	80,3	88,0	-	73,6	74,0	81,5	84,8	-	77,5	82,6	-	73,6	78,3	62						
66	-	72,5	73,0	77,5	81,1	-	72,0	72,0	79,5	78,2	-	75,5	76,5	-	72,0	73,0	66						
70	-	69,6	69,8	74,7	74,5	-	70,5	69,5	74,0	72,0	-	72,6	70,5	-	69,1	67,0	70						
74	-	66,5	66,3	70,0	68,2	-	67,5	66,1	68,0	66,0	-	67,1	64,8	-	64,8	61,6	74						
78	-	62,5	62,0	64,0	62,3	-	62,5	62,5	62,0	60,1	-	61,5	59,1	-	59,5	56,3	78						
82	-	57,8	56,6	56,3	57,0	-	57,5	57,1	56,6	54,5	-	56,5	53,5	-	54,5	51,0	82						
86	-	53,1	51,5	49,2	51,8	-	52,6	51,9	51,6	49,8	-	51,6	48,8	-	49,4	46,5	86						
90	-	48,3	46,7	42,7	47,0	-	47,9	46,7	46,9	45,1	-	46,9	44,2	-	45,0	42,1	90						
94	-	43,6	41,5	36,6	42,4	-	43,6	41,3	41,1	40,5	-	42,6	39,8	-	40,6	37,7	94						
98	-	38,8	36,3	30,9	38,2	-	39,5	36,0	35,3	36,3	-	38,6	35,6	-	36,5	33,6	98						
102	-	34,0	31,1	25,5	34,4	-	35,7	30,6	29,7	32,5	-	34,4	31,6	-	32,9	29,9	102						
106	-	28,7	26,3	20,7	30,8	-	32,1	25,7	24,7	28,9	-	29,7	27,8	-	29,4	26,3	106						
110	-	23,8	21,8	16,3	27,6	-	27,9	21,1	19,9	25,7	-	25,2	23,8	-	25,8	22,7	110						
114	-	19,2	17,6	12,3	24,5	-	22,9	16,8	15,6	22,7	-	21,1	20,2	-	21,8	19,1	114						
118	-	15,0	13,7	8,8	21,4	-	18,3	12,9	11,8	19,8	-	17,2	16,6	-	18,0	15,5	118						
122	-	11,3	10,2	5,8	18,1	-	14,1	9,3	8,3	17,0	-	13,5	13,4	-	14,3	12,3	122						
124	-	9,5	8,5	4,4	16,5	-	12,2	7,6	6,8	15,8	-	11,8	11,8	-	12,5	10,7	124						
126	-	7,8	6,9	-	15,0	-	10,3	5,9	5,6	14,3	-	10,2	10,4	-	10,8	9,2	126						
128	-	6,2	5,4	-	13,6	-	8,5	4,4	4,3	12,9	-	8,6	9,0	-	9,2	7,8	128						
130	-	4,7	4,0	-	12,3	-	6,9	-	-	11,5	-	7,1	7,6	-	7,6	6,4	130						
133	-	-	-	-	10,4	-	4,6	-	-	9,5	-	4,9	5,7	-	5,3	4,4	133						
134	-	-	-	-	9,8	-	-	-	-	8,9	-	4,3	5,0	-	4,7	-	134						
135	-	-	-	-	9,2	-	-	-	-	8,3	-	-	4,4	-	-	-	135						
138	-	-	-	-	7,5	-	-	-	-	6,6	-	-	-	-	-	-	138						
142	-	-	-	-	5,5	-	-	-	-	4,4	-	-	-	-	-	-	142						



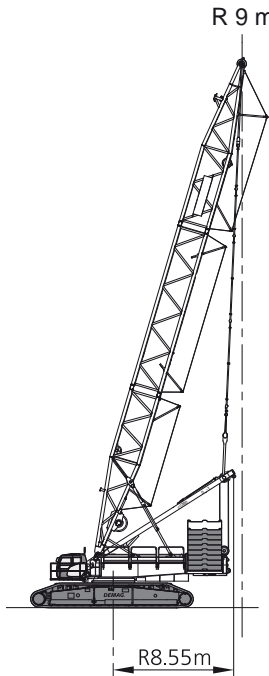
LSL_15: 225 t + 50 t

Superlift Con gurations

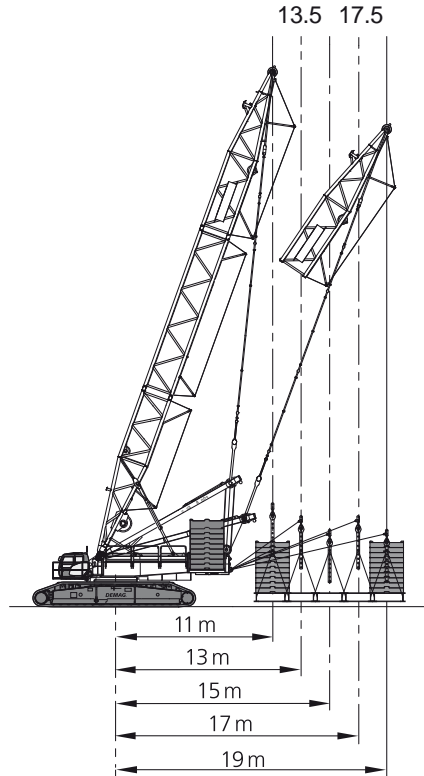
CC 3800-1

Superlift-Kon gurationen · Combinaisons Superlift ·
 Con gurazioni Superlift · Con guraciones Superlift ·
 Con gurações do Superlift ·

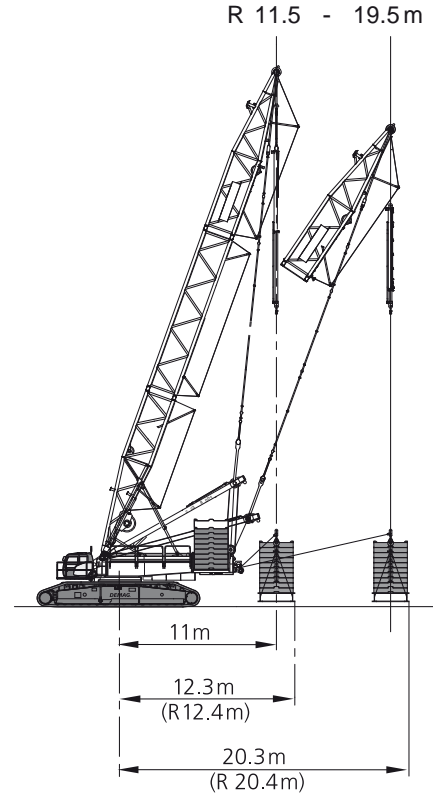
SL 0 t 9 m



Standard-SL
 R 11.5 15.5 19.5m

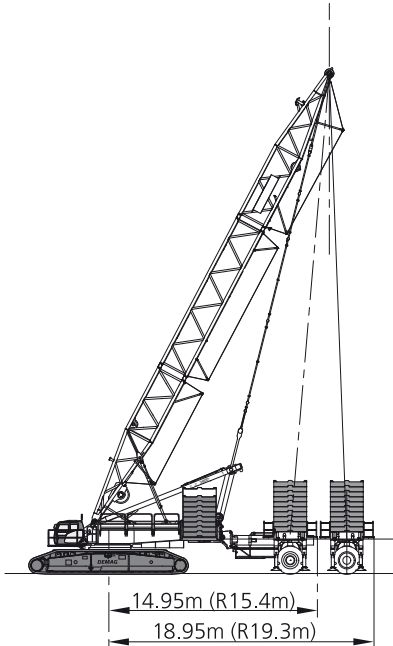


Vario-SL 11-19 m*

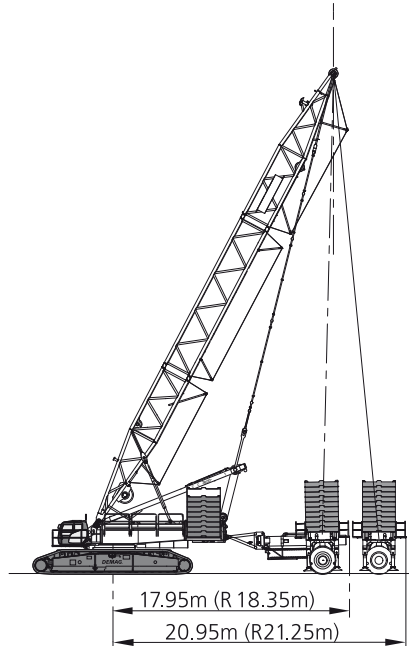


SL Carrier · SL-Wagen · Châssis SL · Carro SL ·
 Carro SL · Veículo do SL · SL

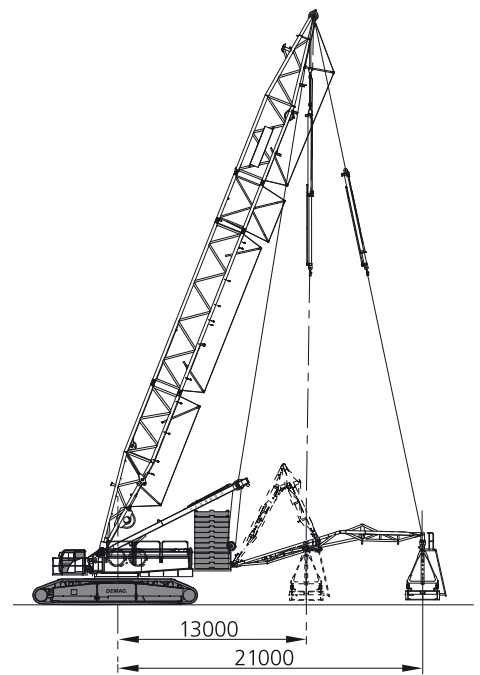
13-17 m
 R 15.75 m



15-19 m
 R 15.75 m



Flex Frame**
 13-21 m
 R 13.75 m



* with SL mast 39.5 m : 11-21 m · mit SL-Mast 39,5 m : 11-21 m · avec mât SL 39,5 m : 11-21 m · con albero SL 39,5 m : 11-21 m ·
 con mástil SL 39,5 m : 11-21 m · com torre SL 39,5 m : 11-21 m · SL 39,5 : 11-21

** only in combination with SL masts 39.5 m or 42 m · nur in Verbindung mit SL-Mast 39,5 m und 42 m · seulement combiné aux
 mâts SL 39,5 ou 42 m · con in combinazione con alberi SL 39,5 m o 42 m · solo en combinación con mástiles SL 39,5 m o 42 m ·
 somente combinado com torres SL de 39,5 m ou 42 m · SL 39,5 42