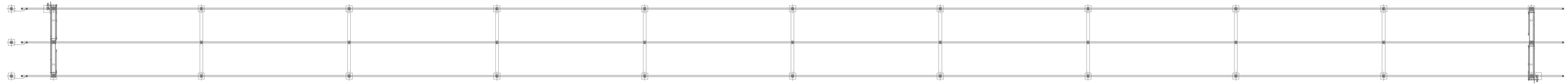
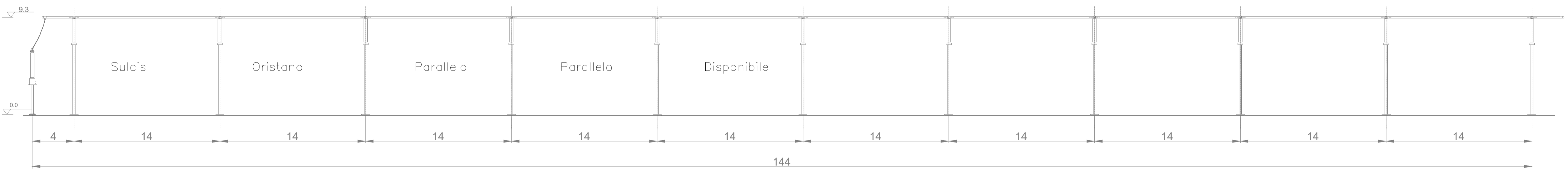


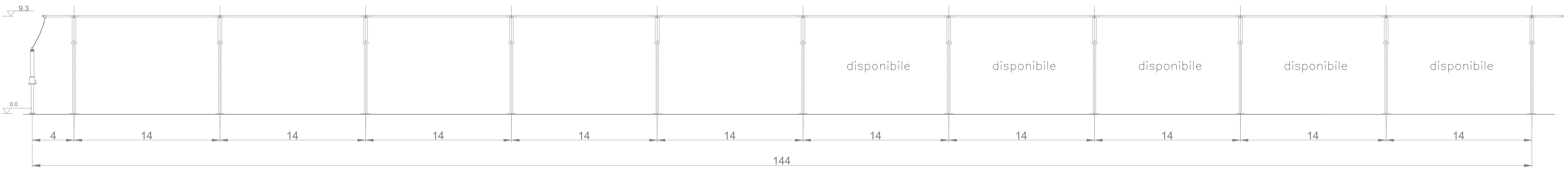
Sbarra A



Sbarra B





Sezione A-A



Sezione B-B



REV.	DATE	DESCRIPTION	PREPARED	CHECKED	APPROVED
0	Dic/2021	first issue	3E	3E	EGP
CONTRACTORS LOGO		PROJECT:	Nuova SE RTN a 220kV di Gonnese e raccordi alla RTN		
		FILE NAME:	GRE.EEC.D.24.IT.W.15012.16.013.00		
		CLASSIFICATION:	FORMAT: A1	SCALE: -	PLOT SCALE: 1:1
Engineering & Construction GRE VALIDATION		UTILIZATION SCOPE:	TITLE: Nuova SE - Sezione sbarre 220kV		
VALIDATED BY:		GRE CODE			
VERIFIED BY:		GROUP: GRE	FUNCTION: EEC	COUNTRY: D	PLANT: 24
COLLABORATORS:		ISSUER: ITW	ISSUE: 15012	SYSTEM: 12160	PROGRESSIVE: 1300
<small>This document is property of Enel Green Power SpA. It is strictly forbidden to reproduce this document, in whole or in part, and to provide to others any related information without the previous written consent by Enel Green Power SpA.</small>					