

**REGIONE PUGLIA****PROVINCIA DI FOGGIA****COMUNE DI RIGNANO GARGANICO**

Denominazione Impianto:

**COPPA DEL VENTO**

Ubicazione:

**Comune di Rignano Garganico (FG)**  
**Località "Coppa del Vento - Mezzana Grande"**

Fogli Rignano G.co:  
 19/29/38/40/41/43/44/45

Particelle: varie

**PROGETTO DEFINITIVO**

di un Parco Eolico composto da n. 8 aerogeneratori di potenza nominale pari a 6,0 MW,  
 da ubicarsi in agro del comune di Rignano Garganico (FG) - località "Coppa del Vento-Mezzana Grande"  
 e delle opere connesse e delle infrastrutture indispensabili da ubicarsi in agro del comune di Lucera (FG)

PROPONENTE

**RAVANO WIND**

VIA XII OTTOBRE, 2/91

GENOVA (GE) - 16121

P.IVA 02815210998

ravanowind@pec.it

ELABORATO

Disciplinare descrittivo e prestazionale degli elementi tecnici

Tav n°

RE20

Scala

Aggiornamenti	Numero	Data	Motivo	Eseguito	Verificato	Approvato
	Rev 0	Settembre 2023	Istanza VIA art.23 D.Lgs 152/06 - Istanza Autorizzazione Unica art.12 D.Lgs 387/03			

PROGETTAZIONE GENERALE

STUDIO DI INGEGNERIA Ing. Michele R.G. CURTOTTI

Viale Il Giugno n. 385

71016 San Severo (FG)

Ordine degli Ingegneri di Foggia n. 1704

mail: ing.curtotti@alice.it

pec: ing.curtotti@pec.it

Cell:339/8220246



Spazio Riservato agli Enti



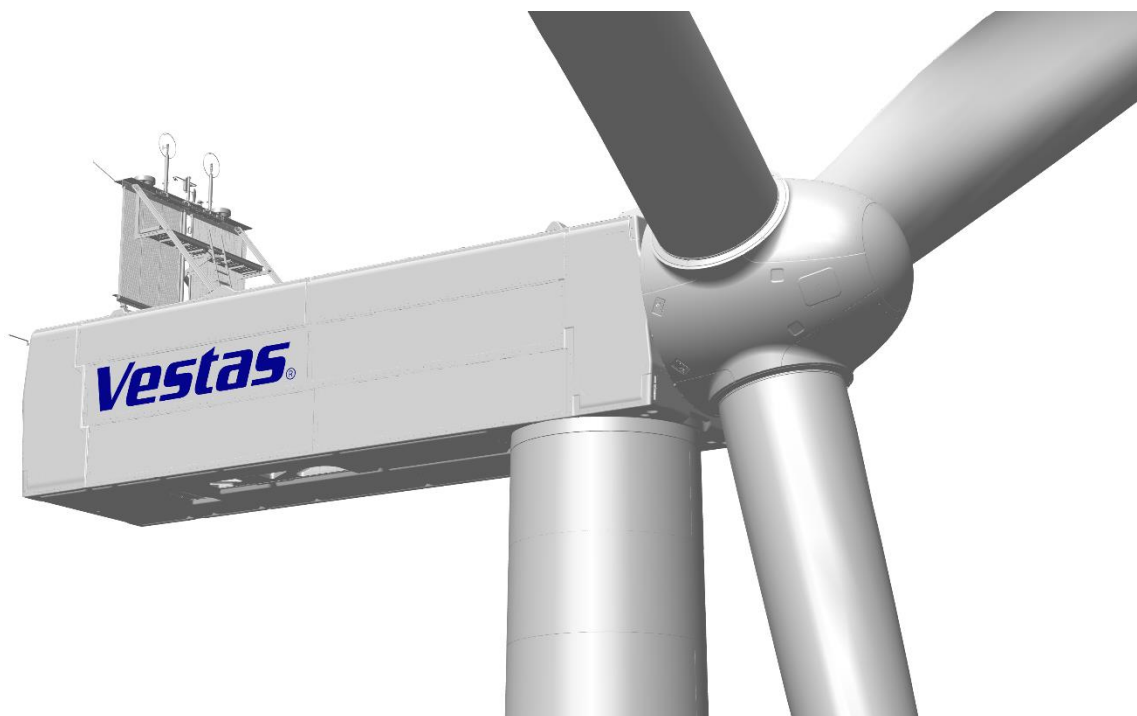
---

## **AEROGENERATORI VESTAS V162**

Restricted  
Document no.: 0081-5017 V07  
2021-06-28

# General Description

## EnVentus™



**Table of contents**

**1 Introduction..... 5**

**2 General Description..... 5**

**3 Mechanical Design..... 6**

3.1 Rotor..... 6

3.2 Blades..... 6

3.3 Blade Bearing ..... 6

3.4 Pitch System..... 7

3.5 Hub ..... 7

3.6 Main Shaft ..... 7

3.7 Main Bearing Housing..... 8

3.8 Main Bearing..... 8

3.9 Gearbox..... 8

3.10 Generator Bearings..... 8

3.11 Yaw System..... 9

3.12 Crane..... 9

3.13 Towers..... 9

3.14 Nacelle Structure and Cover ..... 10

3.15 Thermal Conditioning System ..... 10

3.15.1 Liquid Cooling ..... 10

3.15.2 Cooler Top® ..... 10

3.15.3 Nacelle Conditioning..... 11

3.15.4 Converter Air Cooling..... 11

**4 Electrical Design..... 11**

4.1 Generator ..... 11

4.2 Converter..... 12

4.3 HV Transformer ..... 12

4.3.1 General transformer data ..... 12

4.3.2 Eco-design – IEC 50 Hz/60 Hz version ..... 14

4.4 HV Cables ..... 17

4.5 HV Switchgear ..... 17

4.5.1 IEC 50/60Hz version ..... 19

4.5.2 IEEE 60Hz version..... 20

4.6 AUX System ..... 21

4.7 Wind Sensors ..... 21

4.8 Vestas Multi Processor (VMP) Controller ..... 21

4.9 Uninterruptible Power Supply (UPS) ..... 22

**5 Turbine Protection Systems..... 23**

5.1 Braking Concept ..... 23

5.2 Short Circuit Protections ..... 23

5.3 Overspeed Protection ..... 23

5.4 Arc Detection ..... 23

5.5 Smoke Detection ..... 23

5.6 Lightning Protection of Blades, Nacelle, Hub and Tower..... 24

5.7 EMC ..... 24

5.8 RED (Radio Equipment Directive) ..... 25

5.9 EMF (ElectroMagnetic Fields)..... 25

5.10 Earthing ..... 25

5.11 Corrosion Protection ..... 26

**6 Safety..... 26**

6.1 Access..... 26

6.2 Escape..... 26

6.3	Rooms/Working Areas .....	27
6.4	Floors, Platforms, Standing, and Working Places .....	27
6.5	Service Lift .....	27
6.6	Work restraint and fall arrest .....	27
6.7	Moving Parts, Guards, and Blocking Devices .....	27
6.8	Lights .....	27
6.9	Emergency Stop .....	27
6.10	Power Disconnection .....	27
6.11	Fire Protection/First Aid .....	28
6.12	Warning Signs .....	28
6.13	Manuals and Warnings .....	28
<b>7</b>	<b>Environment .....</b>	<b>28</b>
7.1	Chemicals .....	28
<b>8</b>	<b>Design Codes .....</b>	<b>29</b>
8.1	Design Codes – Structural Design .....	29
<b>9</b>	<b>Colours .....</b>	<b>30</b>
9.1	Nacelle Colour .....	30
9.2	Tower Colour .....	30
9.3	Blade Colour .....	30
<b>10</b>	<b>Operational Envelope and Performance Guidelines .....</b>	<b>31</b>
10.1	Climate and Site Conditions .....	31
10.2	Operational Envelope – Temperature and Altitude .....	31
10.3	Operational Envelope – Grid Connection .....	32
10.4	Operational Envelope – Reactive Power Capability .....	32
10.5	Performance – Fault Ride Through .....	33
10.6	Performance – Reactive Current Contribution .....	33
10.6.1	Symmetrical Reactive Current Contribution .....	33
10.6.2	Asymmetrical Reactive Current Contribution .....	34
10.7	Performance – Multiple Voltage Dips .....	34
10.8	Performance – Active and Reactive Power Control .....	34
10.9	Performance – Voltage Control .....	35
10.10	Performance – Frequency Control .....	35
10.11	Distortion – Immunity .....	35
10.12	Main Contributors to Own Consumption .....	35
<b>11</b>	<b>Drawings .....</b>	<b>36</b>
11.1	Structural Design – Illustration of Outer Dimensions .....	36
<b>12</b>	<b>General Reservations, Notes and Disclaimers .....</b>	<b>37</b>

**Recipient acknowledges that (i) this General Description is provided for recipient's information only, and, does not create or constitute a warranty, guarantee, promise, commitment, or other representation (Commitment) by Vestas Wind Systems or any of its affiliated or subsidiary companies (Vestas), all of which are disclaimed by Vestas and (ii) any and all Commitments by Vestas to recipient as to this general description (or any of the contents herein) are to be contained exclusively in signed written contracts between recipient and Vestas, and not within this document.**

**See general reservations, notes and disclaimers (including, section 12, p. 37) to this general description.**

## 1 Introduction

This *General Description* contains data and general descriptions of the EnVentus™ wind turbine range. The EnVentus™ turbine range consists of various turbine variants, with different rotors and ratings.

For turbine variant specific information related to wind class definitions and performance details, please refer to the accompanying Performance Specification document.

## 2 General Description

A wind turbine within the EnVentus™ turbine range is a pitch regulated upwind turbine with active yaw and a three-blade rotor.

The wind turbine utilises the OptiTip® concept and a power system based on a permanent magnet generator and full-scale converter. With these features, the wind turbines are able to operate the rotor at variable speed and thereby maintain the power output at or near rated power even in high wind speed. At low wind speed, the OptiTip® concept and the power system work together to maximise the power output by operating at the optimal rotor speed and pitch angle.

### 3 Mechanical Design

#### 3.1 Rotor

The wind turbine is equipped with a rotor consisting of three blades and a hub. The blades are controlled by the microprocessor pitch control system OptiTip®. Based on the prevailing wind conditions, the blades are continuously positioned to optimise the pitch angle.

Rotor	V150	V162
Diameter	150 m	162 m
Swept Area	17671 m <sup>2</sup>	20612 m <sup>2</sup>
Speed, Dynamic Operation Range	4.9 - 12.6 rpm	4.3 -12.1 rpm
Rotational Direction	Clockwise (front view)	
Orientation	Upwind	
Tilt	6°	
Hub Coning	6°	
No. of Blades	3	
Aerodynamic Brakes	Full feathering	

Table 3-1: Rotor data

#### 3.2 Blades

The blades are made of carbon and fibreglass and consist of two airfoil shells with embedded structure.

Blades	V150	V162
Blade Length	73.65 m	79.35 m
Maximum Chord	4.2 m	4.3 m
Chord at 90% blade radius	1.4 m	1.68 m
Type Description	Structural airfoil shell	
Material	Fibreglass reinforced epoxy, carbon fibres and Solid Metal Tip (SMT)	
Blade Connection	Steel roots inserted	
Airfoils	High-lift profile	

Table 3-2: Blades data

#### 3.3 Blade Bearing

The blade bearings allow the blades to operate at varying pitch angles.

Blade Bearing	
Blade bearing type	High-capacity slewing bearing
Lubrication	Manual grease lubrication

Table 3-3: Blade bearing data



### 3.4 Pitch System

The turbine is equipped with a hydraulic, individual pitch system for each blade. Each pitch system is connected to the hydraulic rotating transfer unit in the nacelle by means of distributed hydraulic hoses and pipes. The hydraulic power unit is positioned in the nacelle.

Each pitch system consists of a hydraulic cylinder mounted to the hub and a piston rod mounted to the blade bearing. Valves facilitating operation of the pitch cylinder are installed on a pitch block bolted directly onto the cylinder.

Pitch System	
Type	Hydraulic
Number	1 cylinder per blade
Range	-5° to 95°

Table 3-4: Pitch system data

Hydraulic System	
Main Pump	Redundant internal-gear oil pumps
Pressure	Max. 260 bar
Filtration	3 µm (absolute) 40 µm in line

Table 3-5: Hydraulic system data.

### 3.5 Hub

The hub supports the three blades and transfers the reaction loads and the torque to the Main Shaft. The hub structure also supports blade bearings and pitch cylinders.

Hub	
Type	Ball shell hub
Material	Cast iron

Table 3-6: Hub data

### 3.6 Main Shaft

The main shaft transfers the reaction forces to the main bearing and the torque to the gearbox.

Main Shaft	
Type Description	Hollow shaft
Material	Cast iron

Table 3-7: Main shaft data

### 3.7 Main Bearing Housing

The main bearing housing carries the main bearings and is the connection point for the drive train system to the nacelle structure.

Main Bearing Housing	
Material	Cast iron

Table 3-8: Main bearing housing data

### 3.8 Main Bearing

The main bearings constitute the main load transfer path for the rotor and drivetrain to the nacelle structure.

Main Bearing	
Type	Rolling bearings
Lubrication	Oil circulation

Table 3-9: Main bearing data

### 3.9 Gearbox

The main gear converts the rotation of the rotor to generator rotation.

Gearbox	
Type	2 Planetary stages
Gear House Material	Cast
Lubrication System	Pressure oil lubrication
Total Gear Oil Volume	800-1000 L
Oil Cleanliness Codes	ISO 4406-/15/12

Table 3-10: Gearbox data

### 3.10 Generator Bearings

Generator bearings ensures a constant airgap between the generator rotor and stator. The bearings are arranged in an assembly that allows for up-tower service.

Generator Bearing	
Type	Rolling bearings
Lubrication	Oil circulation

Table 3-11: Generator bearing data

### 3.11 Yaw System

The yaw system is an active system based on a pre-tensioned plain bearing.

Yaw System	
Type	Plain bearing system
Material	Forged yaw ring heat-treated. Plain bearings PETP
Yaw gear type	Multiple stages planetary gear
Yawing Speed (50 Hz)	Approx. 0.4°/sec.
Yawing Speed (60 Hz)	Approx. 0.5°/sec.

Table 3-12: Yaw system data

### 3.12 Crane

The nacelle is equipped with an internal service crane (single system hoist).

Crane	
Lifting Capacity	HH<149 m max 500 kg HH>149 m max 800 kg

Table 3-13: Crane data

### 3.13 Towers

Tubular Steel Towers and Concrete Hybrid Towers (CHT) are available as standard for several WTG configuration and hub height options.

Tubular steel towers consist of flange joined steel sections.

Concrete Hybrid Towers consists of a concrete bottom part with a transition piece towards a tubular steel top. The concrete part is made of precast high strength concrete rings, and the tubular steel top is made of flange joined steel sections.

Towers includes modular internals, which are certified to relevant type approvals.

Available hub heights are listed in the Performance Specification for each turbine variant. Designated hub heights include a distance from tower top flange to centre of the hub of approximately 2.5m. For steel towers the designated hub height also includes a distance from the foundation section to the ground level of approximately 0.2 m depending on the thickness of the bottom flange.

For steel towers, raised foundations of up to 3 m can be made available on a site-specific basis subject to soil and project conditions which raises the hub height also by up to 3m.

Further WTG configuration and hub height options are developed as non-standard products on site-specific basis.

Towers	
Type	Tubular steel towers Larger diameter steel towers Concrete Hybrid Towers

Table 3-14: Tower structure data

### 3.14 Nacelle Structure and Cover

The nacelle structure is in two parts and consists of a cast iron front part, the base frame, and a girder structure rear part, the rear structure. The base frame is the foundation for the drive train and transmits forces from the rotor to the tower through the yaw system. The bottom surface is machined and connected to the yaw bearing and the yaw gears are bolted to the base frame.

The crane girders are attached to the rear structure.

The nacelle cover is attached to the nacelle structure. The nacelle cover is made of fibreglass. Hatches are positioned in the floor for lowering or hoisting equipment to the nacelle and evacuation of personnel. The roof section is equipped with skylights.

The skylights can be opened from inside the nacelle to access the roof and from outside to access the nacelle. Access from the tower to the nacelle is through the base frame.

Type Description	Material
Nacelle Cover	GRP
Base frame	Cast iron
Rear structure	Girder structure

Table 3-15: Nacelle structure and cover data

### 3.15 Thermal Conditioning System

The thermal conditioning system consists of:

- A Liquid Cooling System
- The Vestas Cooler Top®
- Air cooling of the nacelle internal, and
- Air cooling of the converter including a filter function

#### 3.15.1 Liquid Cooling

The liquid cooling system removes the heat losses from the gearbox, generator, hydraulic power unit, converter and the HV transformer.

The liquid cooling system pump unit includes a set of dynamic flow valves securing the right flow to the different systems. The pump unit also includes a heater for pre-heating the liquid in cold start-up situations, an electrical controlled valve for controlling the liquid temperature and a bypass filter for removal of particles in the cooling liquid.

#### 3.15.2 Cooler Top®

The Vestas Cooler Top® located on top of the rear end of the nacelle. The Cooler Top® is a free flow cooler, thus ensuring that there are no electrical components in the thermal conditioning system located outside the nacelle. The Cooler Top® serves as base for the wind sensors, ice detection sensor, aviation lights and visibility sensor.

### 3.15.3 Nacelle Conditioning

Hot air generated by mechanical and electrical equipment is dissipated from the nacelle by a fan system located in the nacelle. The nacelle conditioning is taking ambient air into the nacelle and exhaust the hot air in the end of the nacelle.

### 3.15.4 Converter Air Cooling

The converter is both liquid and air cooled. The converter air cooling system comprises an air to air heat exchanger, which separates ambient air from converter internal air. The ambient air flow is provided by fan units delivering ambient air to the air to air heat exchanger through a filter. Fans on the internal side of the air to air exchanger provides the converter internal air circulation.

## 4 Electrical Design

### 4.1 Generator

The generator is a three-phase permanent magnet generator connected to the grid through a full-scale converter. The generator housing allows the circulation of cooling air within the stator and rotor.

The heat generated by the losses is removed by an air-to-water heat exchanger.

<i>Generator</i>	
<b>Type</b>	Permanent Magnet Synchronous generator
<b>Rated Power [P<sub>N</sub>]</b>	Up to 6450 kW (depending on turbine variant)
<b>Frequency range [f<sub>N</sub>]</b>	0-138 Hz
<b>Voltage, Stator [U<sub>NS</sub>]</b>	3 x 800 V (at rated speed)
<b>Number of Poles</b>	36
<b>Winding Type</b>	Form with Vacuum Pressurized Impregnation
<b>Winding Connection</b>	Star
<b>Operational speed range</b>	0-460 rpm
<b>Overspeed Limit (2 minutes)</b>	720 rpm
<b>Temperature Sensors, Stator</b>	PT100 sensors placed in the stator hot spots.
<b>Insulation Class</b>	H
<b>Enclosure</b>	IP54

Table 4-1: Generator data

## 4.2 Converter

The converter is a full-scale converter system controlling both the generator and the power delivered to the grid. The converter consists of 4 machine-side converter units and 4 line-side converter units operating in parallel with a common controller.

The converter controls conversion of variable frequency AC power from the generator into fixed frequency AC power with desired active and reactive power levels (and other grid connection parameters) suitable for the grid.

The converter is located in the nacelle and has a grid side voltage rating of 720 V. The generator side voltage rating is nominally 800 V but depends on generator speed.

Converter	
Rated Apparent Power [ $S_N$ ] @ 1.0 p.u. voltage	6750 kVA
Rated Grid Voltage	3 x 720 V
Rated Generator Voltage	3 x 800 V
Rated Grid Current @ 1.0 p.u. voltage	5400 A
Enclosure	IP54

Table 4-2: Converter data

## 4.3 HV Transformer

The transformer is a three-phase, three limb, two-winding, liquid immersed transformer. The transformer is equipped with an external water-cooling circuit. The insulation liquid used is environmentally friendly and low flammable.

The HV transformer is located in a separate locked room in the back of the nacelle. The transformer is designed according to IEC standards and is available in the following version:

- Eco-design complying to Tier 2 of European Ecodesign regulation No 548/2014 and No 2019/1783 set by the European Commission. Refer to Table 4-3.

### 4.3.1 General transformer data

Transformer			
Type description	Eco-design liquid immersed transformer.		
Basic layout	3 phase, 2 winding transformer		
Applied standards	IEC 60076-1, IEC 60076-16, IEC 61936-1 Commission Regulation No 548/2014 Commission Regulation No 2019/1783		
Cooling method	KF/WF		
Rated power	7000 kVA	7300kVA	7500kVA
Expansion system	Open breathing	Sealed	Sealed
Insulation liquid, Type/Fire point	Synthetic ester, biodegradable/ K-class (>300°C)	Natural/Synthetic ester, biodegradable/ K-class (>300°C)	
No-load reactive power	~17 kVAr <sup>1</sup>	~18 kVAr <sup>1</sup>	~19 kVAr <sup>1</sup>
Full load reactive power	~735 kVAr <sup>1</sup>	~810 kVAr <sup>1</sup>	~832 kVAr <sup>1</sup>
No-load current	~ 0.25 % <sup>1</sup>	~ 0.25 % <sup>1</sup>	~ 0.25 % <sup>1</sup>

Transformer			
<b>Positive sequence short-circuit impedance @ rated power, 95°C</b>	9.9 % <sup>2</sup>	10.3 % <sup>2</sup>	10.6 % <sup>2</sup>
<b>Positive sequence short-circuit resistance @ rated power, 95°C</b>	~0.9 % <sup>1</sup>	~0.9 % <sup>1</sup>	~0.9 % <sup>1</sup>
<b>Zero sequence short-circuit impedance @ rated power, 95°C</b>	~9.6 % <sup>1</sup>	~10.0 % <sup>1</sup>	~10.3 % <sup>1</sup>
<b>Zero sequence short-circuit resistance @ rated power, 95°C</b>	~0.9 % <sup>1</sup>	~0.9 % <sup>1</sup>	~0.9 % <sup>1</sup>
<b>Rated voltage, turbine side</b>			
<b>U<sub>m</sub> 1.1kV</b>	0.720 kV		
<b>Rated voltage, grid side</b>			
<b>U<sub>m</sub> 24.0kV</b>	20.0-22.0 kV		
<b>U<sub>m</sub> 36.0kV</b>	22.1-33.0 kV		
<b>U<sub>m</sub> 40.5kV</b>	33.1-36.0 kV		
<b>Insulation level AC / LI / LIC</b>			
<b>U<sub>m</sub> 1.1kV</b>	3 / - / - kV		
<b>U<sub>m</sub> 24.0kV</b>	50 / 125 / 138 kV		
<b>U<sub>m</sub> 36.0kV</b>	70 / 170 / 187 kV		
<b>U<sub>m</sub> 40.5kV</b>	80 / 200 / 220 kV		
<b>Off-circuit tap changer</b>	None		
<b>Frequency</b>	50 Hz / 60 Hz		
<b>Vector group</b>	Dyn11		
<b>Inrush peak current</b>	$< 8 \times \hat{I}_n^1$		
<b>Half crest time</b>	$\sim 0.5 \text{ s}^1$		
<b>Sound power level</b>	$\leq 80 \text{ dB(A)}$		
<b>Average winding temperature rise</b>	Class 120 (E) $\leq 65 \text{ K}$ Class 130 (B) $\leq 75 \text{ K}$		
<b>Max altitude</b>	3500 m		
<b>Insulation system</b>	Hybrid insulation system Winding insulation: 120 (E), Thermally Upgrader Paper 130 (B), High temperature insulation Other materials can have different class.		
<b>Insulation liquid, Amount</b>	$\leq 3000 \text{ kg}$		
<b>Corrosion class</b>	C3		
<b>Weight</b>	$\leq 11200 \text{ kg}$		
<b>Overvoltage protection</b>	Plug-in surge arresters on HV bushings		
<b>High voltage bushings</b>	Outer cone, interface C1		

Table 4-3: General transformer data.

### 4.3.2 Eco-design – IEC 50 Hz/60 Hz version

The transformer loss limits are given at rated power as combination of load loss and no-load loss which shall fulfil the Peak Efficiency Index (PEI) of the Eco-design requirement.

The maximum losses are described by the PEI limit section of Figure 4-1, Figure 4-2 and Figure 4-3 and stretch over a range between Loss variant 1 and Loss variant 2.

The loss variant values are selected based on energy loss optimization with the turbine user profile, hence the energy loss of transformers between Loss variant 1 and Loss variant 2 are comparable.

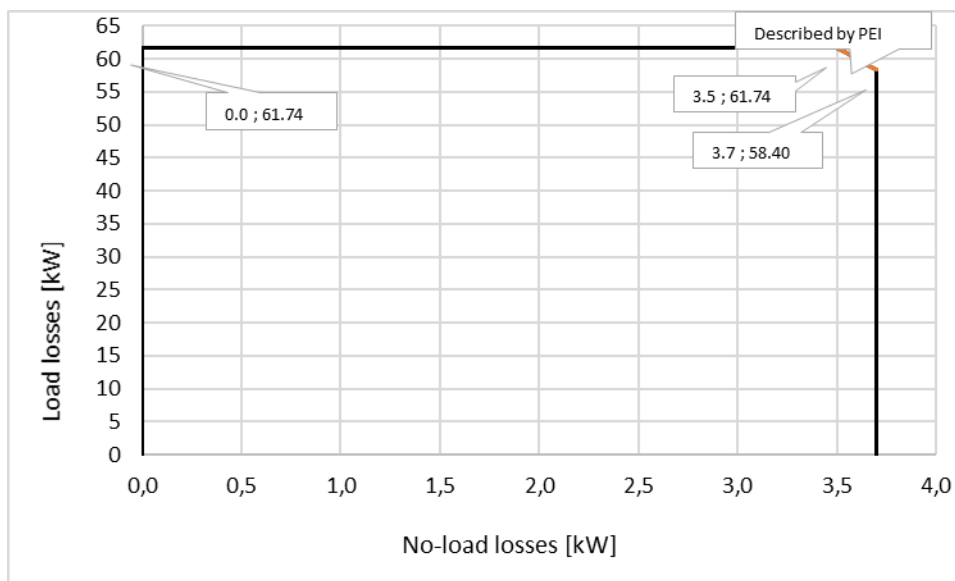


Figure 4-1: Transformer losses allowable area for 7000kVA variant

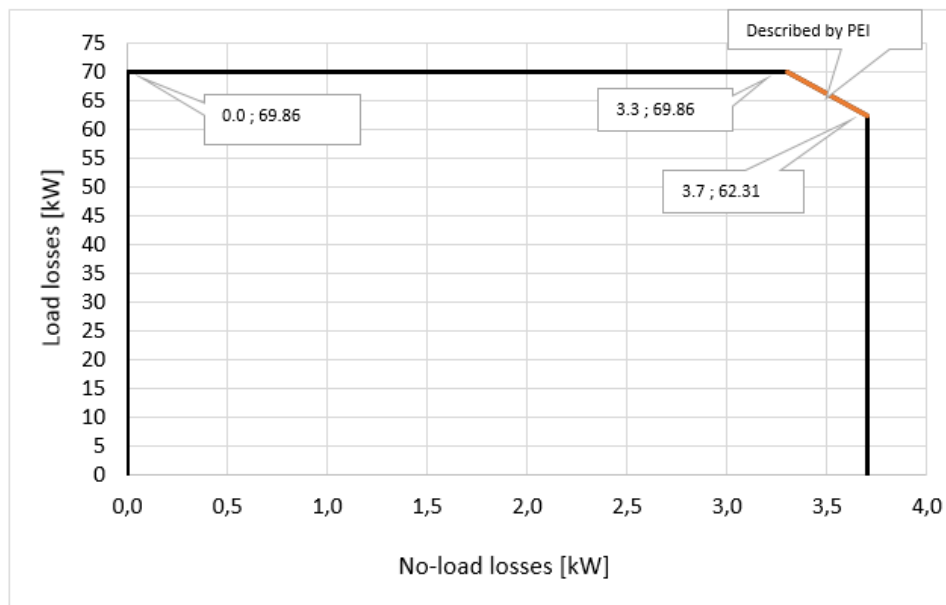


Figure 4-2: Transformer losses allowable area for 7300kVA variant



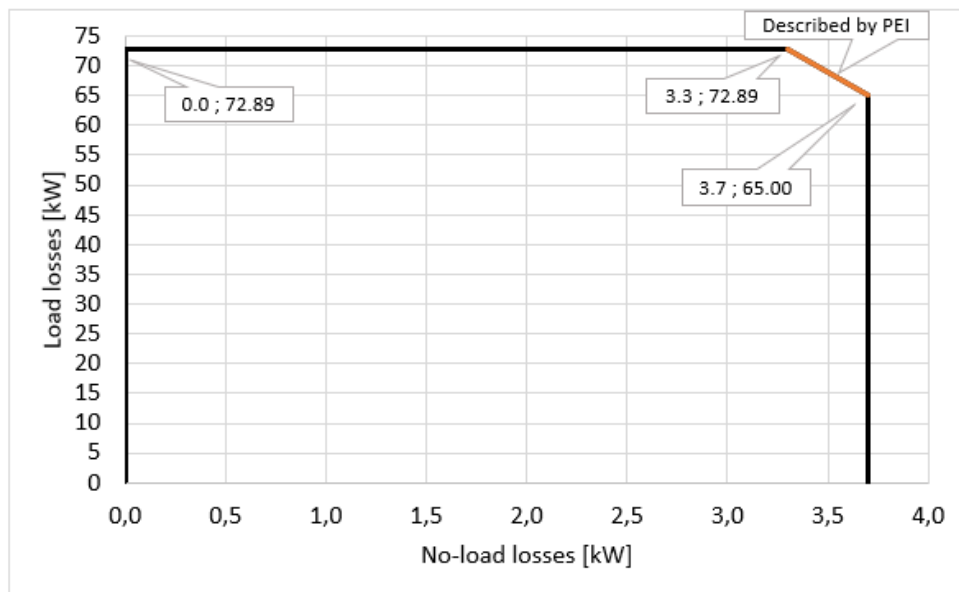


Figure 4-3: Transformer losses allowable area for 7500kVA variant

The actual load losses vary depending on the operational mode of the turbine, hence in Table 4-4, Table 4-5 and Table 4-6, the load losses are provided at different operational modes for the two loss variants. For further recalculation of load losses at different operation modes, refer to Figure 4-4.

Transformer losses (rated power 7000kVA)				
Applied standards	Commission Regulation No 2019/1783			
Peak Efficiency Index (PEI)	≥ 99.580			
<b>Loss variant 1</b>				
No-load loss	3.50 kW			
Load loss @ power, 95°C	@7000kVA	@5600kVA	@5400kVA	@5000kVA
	≤61.74kW	≤39.51kW <sup>3</sup>	≤36.74kW <sup>3</sup>	≤31.50kW <sup>3</sup>
<b>Loss variant 2</b>				
No-load loss	3.70 kW			
Load loss @ power, 95°C	@7000kVA	@5600kVA	@5400kVA	@5000kVA
	≤58.40kW	≤37.38kW <sup>3</sup>	≤34.75kW <sup>3</sup>	≤29.80kW <sup>3</sup>

Table 4-4: Transformer losses for 7000kVA version

Transformer losses (rated power 7300kVA)			
Applied standards	Commission Regulation No 2019/1783		
Peak Efficiency Index (PEI)	≥ 99.584		
<b>Loss variant 1</b>			
No-load loss	3.30 kW		
Load loss @ power, 95°C	@7300kVA	@6000kVA	@5600kVA
	≤69.86kW	≤47.19kW <sup>3</sup>	≤41.11kW <sup>3</sup>
<b>Loss variant 2</b>			
No-load loss	3.70 kW		
Load loss @ power, 95°C	@7300kVA	@6000kVA	@5600kVA
	≤62.31kW	≤42.09kW <sup>3</sup>	≤36.67kW <sup>3</sup>

Table 4-5: Transformer losses for 7300kVA version

Transformer losses (rated power 7500kVA)				
Applied standards	Commission Regulation No 2019/1783			
Peak Efficiency Index (PEI)	≥ 99.586			
Loss variant 1				
No-load loss	3.30 kW			
Load loss @ power, 95°C	@7500kVA	@6200kVA	@6000kVA	@5600kVA
	≤72.89kW	≤49.81kW	≤46.65kW <sup>3</sup>	≤40.64kW <sup>3</sup>
Loss variant 2				
No-load loss	3.70 kW			
Load loss @ power, 95°C	@7500kVA	@6200kVA	@6000kVA	@5600kVA
	≤65.00kW	≤44.42kW	≤41.60kW <sup>3</sup>	≤36.24kW <sup>3</sup>

Table 4-6: Transformer losses for 7500kVA version



Figure 4-4: Transformer load losses scaling

- NOTE**
- <sup>1</sup> Based on an average of calculated values across voltages and manufacturers.
  - <sup>2</sup> Subjected to standard IEC tolerances.
  - <sup>3</sup> Informative non-binding values based on operation mode.

#### 4.4 HV Cables

The high-voltage cable runs from the transformer in the nacelle down the tower to the HV switchgear located at the bottom of the tower. The high-voltage cable can be of two different constructions:

- A three-core, rubber-insulated, halogen-free, high-voltage cable with a three-core split earth conductor.
- A four-core, rubber-insulated, halogen-free, high-voltage cable.

HV Cables	
<b>High-Voltage Cable Insulation Compound</b>	Improved ethylene-propylene (EP) based material-EPR or high modulus or hard grade ethylene-propylene rubber-HEPR
<b>Pre-terminated</b>	T-Connector Type-C in transformer end. T-Connector Type-C in switchgear end.
<b>Maximum Voltage</b>	24 kV for 19.1-22.0 kV rated voltage 42 kV for 22.1-36.0 kV rated voltage
<b>Conductor Cross Sections</b>	3x70 + 70 mm <sup>2</sup> (Single PE core) 3x70 + 3x70/3 mm <sup>2</sup> (Split PE core)

Table 4-7: HV cables data

#### 4.5 HV Switchgear

A gas insulated switchgear is installed in the bottom of the tower as an integrated part of the turbine. Its controls are integrated with the turbine safety system, which monitors the condition of the switchgear and high voltage safety related devices in the turbine. This system is named 'Ready to Protect' and ensures all protection devices are operational, whenever high voltage components in the turbine are energised. To ensure that the switchgear is always ready to trip, it is equipped with redundant trip circuits consisting of an active trip coil and an undervoltage trip coil.

In case of grid outage, the circuit breaker will disconnect the turbine from the grid after an adjustable time.

When grid returns, all relevant protection devices will automatically be powered up via UPS.

When all the protection devices are operational, the circuit breaker will re-close after an adjustable time. The re-close functionality can furthermore be used to implement a sequential energization of a wind park, in order to avoid simultaneous inrush currents from all turbines once grid returns after an outage.

In case the circuit breaker has tripped due to a fault detection, the circuit breaker will be blocked for re-connection until a manual reset is performed.

In order to avoid unauthorized access to the transformer room during live condition, the earthing switch of the circuit breaker, contains a trapped-key interlock system with its counterpart installed on the access door to the transformer room.

The switchgear is available in three variants with increasing features, see Table 4-8. Beside the increase in features, the switchgear can be configured depending on the number of grid cables planned to enter the individual turbine. The design of the switchgear solution is optimized such grid cables can be connected to the

switchgear even before the tower is installed and still maintain its protection toward weather conditions and internal condensation due to a gas tight packing.

The switchgear is available in an IEC version and in an IEEE version. The IEEE version is however only available in the highest voltage class. The electrical parameters of the switchgear are seen in Table 4-9 for the IEC version and in Table 4-10 for the IEEE version.

<b>HV Switchgear</b>			
<b>Variant</b>	<b>Basic</b>	<b>Streamline</b>	<b>Standard</b>
IEC standards	○	⊙	⊙
IEEE standards	⊙	○	⊙
Vacuum circuit breaker panel	⊙	⊙	⊙
Overcurrent, short-circuit and earth fault protection	⊙	⊙	⊙
Disconnecter / earthing switch in circuit breaker panel	⊙	⊙	⊙
Voltage Presence Indicator System for circuit breaker	⊙	⊙	⊙
Voltage Presence Indicator System for grid cables	⊙	⊙	⊙
Double grid cable connection	⊙	⊙	⊙
Triple grid cable connection	⊙	○	○
Preconfigured relay settings	⊙	⊙	⊙
Turbine safety system integration	⊙	⊙	⊙
Redundant trip coil circuits	⊙	⊙	⊙
Trip coil supervision	⊙	⊙	⊙
Pendant remote control from outside of tower	⊙	⊙	⊙
Sequential energization	⊙	⊙	⊙
Reclose blocking function	⊙	⊙	⊙
Heating elements	⊙	⊙	⊙
Trapped-key interlock system for circuit breaker panel	⊙	⊙	⊙
Motor operation of circuit breaker	⊙	⊙	⊙
Cable panel for grid cables (configurable)	○	⊙	⊙
Switch disconnector panels for grid cables – max three panels (configurable)	○	⊙	⊙
Earthing switch for grid cables	○	⊙	⊙
Internal arc classification	○	⊙	⊙
Supervision on MCB's	○	⊙	⊙
Motor operation of switch disconnector	○	○	⊙

<b>HV Switchgear</b>			
<b>Variant</b>	<b>Basic</b>	<b>Streamline</b>	<b>Standard</b>
SCADA operation and feedback of circuit breaker	○	○	⊙
SCADA operation and feedback of switch disconnecter	○	○	⊙

Table 4-8: HV switchgear variants and features

#### 4.5.1 IEC 50/60Hz version

<b>HV Switchgear</b>	
<b>Type description</b>	Gas Insulated Switchgear
<b>Applied standards</b>	IEC 62271-103 IEC 62271-1, 62271-100, 62271-102, 62271-200
<b>Insulation medium</b>	SF <sub>6</sub>
<b>Rated voltage</b>	
<b>U<sub>r</sub> 24.0kV</b>	19.1-22.0 kV
<b>U<sub>r</sub> 36.0kV</b>	22.1-33.0 kV
<b>U<sub>r</sub> 40.5kV</b>	33.1-36.0 kV
<b>Rated insulation level AC // LI Common value / across isolation distance</b>	
<b>U<sub>r</sub> 24.0kV</b>	50 / 60 // 125 / 145 kV
<b>U<sub>r</sub> 36.0kV</b>	70 / 80 // 170 / 195 kV
<b>U<sub>r</sub> 40.5kV</b>	85 / 90 // 185 / 215 kV
<b>Rated frequency</b>	50 Hz / 60 Hz
<b>Rated normal current</b>	630 A
<b>Rated Short-time withstand current</b>	
<b>U<sub>r</sub> 24.0kV</b>	20 kA
<b>U<sub>r</sub> 36.0kV</b>	25 kA
<b>U<sub>r</sub> 40.5kV</b>	25 kA
<b>Rated peak withstand current 50 / 60 Hz</b>	
<b>U<sub>r</sub> 24.0kV</b>	50 / 52 kA
<b>U<sub>r</sub> 36.0kV</b>	62.5 / 65 kA
<b>U<sub>r</sub> 40.5kV</b>	62.5 / 65 kA
<b>Rated duration of short-circuit</b>	1 s
<b>Internal arc classification (option)</b>	
<b>U<sub>r</sub> 24.0kV</b>	IAC A FLR 20 kA, 1 s
<b>U<sub>r</sub> 36.0kV</b>	IAC A FLR 25 kA, 1 s
<b>U<sub>r</sub> 40.5kV</b>	IAC A FLR 25 kA, 1 s
<b>Connection interface</b>	Outside cone plug-in bushings, IEC interface C1.
<b>Loss of service continuity category</b>	LSC2
<b>Ingress protection</b>	
<b>Gas tank</b>	IP 65
<b>Enclosure</b>	IP 2X
<b>LV cabinet</b>	IP 3X
<b>Corrosion class</b>	C3

Table 4-9: HV switchgear data for IEC version

#### 4.5.2 IEEE 60Hz version

<b>HV Switchgear</b>	
<b>Type description</b>	Gas Insulated Switchgear
<b>Applied standards</b>	IEEE 37.20.3, IEEE C37.20.4, IEC 62271-200, ISO 12944.
<b>Insulation medium</b>	SF <sub>6</sub>
<b>Rated voltage</b>	
<b>U<sub>r</sub> 38.0kV</b>	22.1-36.0 kV
<b>Rated insulation level AC / LI</b>	70 / 150 kV
<b>Rated frequency</b>	60 Hz
<b>Rated normal current</b>	600 A
<b>Rated Short-time withstand current</b>	25 kA
<b>Rated peak withstand current</b>	65 kA
<b>Rated duration of short-circuit</b>	1 s
<b>Internal arc classification (option)</b>	IAC A FLR 25 kA, 1 s
<b>Connection interface grid cables</b>	Outside cone plug-in bushings, IEEE 386 interface type deadbreak, 600A.
<b>Ingress protection</b>	
<b>Gas tank</b>	NEMA 4X / IP 65
<b>Enclosure</b>	NEMA 2 / IP 2X
<b>LV cabinet</b>	NEMA 2 / IP 3X
<b>Corrosion class</b>	C3

Table 4-10: HV switchgear data for IEEE version

## 4.6 AUX System

The AUX system is supplied from a separate 720/400 V transformer located in the nacelle. The supply to this transformer primary side is provided from converter cabinet. All auxiliary loads in the turbine such as motors, pumps, fans and heaters are supplied from this system.

The control system (DCN's) is also supplied from the Auxiliary Power System in all areas of the turbine.

The 400 V supply from Nacelle is transferred to Tower controller cabinet, which is placed at the entrance platform of the turbine. This supply is then distributed for various 400 & 230 V loads such as service lift, working light system, additional / optional features & general-purpose loads, cabinet internal heating & ventilation. There is a 400/230 V control transformer placed inside tower cabinet which provides supply to the UPS cabinet which is placed very near to the tower cabinet.

There is a 400 V service inlet provided in the tower control cabinet to connect an external power source that allows some of the systems to operate during installation & maintenance / service activities.

The working & emergency light system in Tower & Nacelle is supplied from a small control cabinet which is placed in the entrance platform just beside the turbine entrance door. It is possible to add an optional battery cabinet to the light cabinet if extended back-up time is needed. The internal light in the hub is fed from built-in batteries in the light armature.

Power Sockets	
<b>Single Phase (Nacelle)</b>	230 V (16 A) (standard) 110 V (16 A) (option)
<b>Single Phase (Tower Platforms)</b>	230 V (10 A) (standard) 110 V (16 A) (option)
<b>Three Phase (Nacelle and Tower Base)</b>	3 x 400 V (16 A)

*Table 4-11: AUX system data*

## 4.7 Wind Sensors

The turbine is equipped with one ultrasonic wind sensor and one mechanical wind vane. The sensors have built-in heaters to minimise interference from ice and snow.

## 4.8 Vestas Multi Processor (VMP) Controller

The turbine is controlled and monitored by the VMP8000 control system.

VMP8000 is a multiprocessor control system comprised of main controller, distributed control nodes, distributed IO nodes and ethernet switches and other network equipment. The main controller is placed in the tower bottom of the turbine. It runs the control algorithms of the turbine, as well as all IO communication.

The communications network is a time triggered Ethernet network (TTEthernet).

The VMP8000 control system serves the following main functions:

- Monitoring and supervision of overall operation.

- Synchronizing of the generator to the grid during connection sequence.
- Operating the wind turbine during various fault situations.
- Automatic yawing of the nacelle.
- OptiTip® - blade pitch control.
- Reactive power control and variable speed operation.
- Noise emission control.
- Monitoring of ambient conditions.
- Monitoring of the grid.
- Monitoring of the smoke detection system.

#### 4.9 Uninterruptible Power Supply (UPS)

During grid outage, an UPS system will ensure power supply for specific components.

The UPS designed according to EN54 is built by 3 subsystems:

1. 230V AC UPS for all power backup to nacelle and hub control systems
2. 24V DC UPS for power backup to tower base control systems and ready to protect.
3. 230V AC UPS for power backup to internal lights in tower, nacelle and hub.

UPS		
Backup Time	Standard	Optional
Control System* (230V AC and 24V DC UPS)	Up to 30 min	Up to 19.5 hours**
Emergency Lights (230V AC UPS)	30 min	60 min***
Ready to protect (24V DC UPS)	7 days	37 days****

Table 4-12: UPS data

\*The control system includes: the turbine controller (VMP8000), HV switchgear functions, and remote-control system.

\*\*Requires upgrade of the 230V UPS for control system with extra batteries.

\*\*\*Requires upgrade of the 230V UPS for internal light with extra batteries.

\*\*\*\*Requires upgrade of the 24V DC UPS with extra batteries.

It is possible to add optional battery cabinets with UPS for extended back-up time.

**NOTE**

For alternative backup times, consult Vestas.



## 5 Turbine Protection Systems

### 5.1 Braking Concept

The main brake on the turbine is aerodynamic. Stopping the turbine is done by full feathering the three blades (individually turning each blade). Each blade has a hydraulic accumulator to supply power for turning the blade.

In addition, there is a hydraulic activated mechanical disc brake on the medium-speed shaft of the gearbox. The mechanical brake is only used as a parking brake and when activating the emergency stop buttons.

### 5.2 Short Circuit Protections

Breakers	Breaker for Aux. Power.	Breaker 1 for Converter Modules	Breaker 2 for Converter Modules
<b>Breaking Capacity Icu, Ics</b>	Icu 80 kA Ics 75% Icu	Icu 78 kA Ics 50% Icu	78 kA Ics 50% Icu
<b>Making Capacity Icm</b>	193 kA	193 kA	193 kA

Table 5-1: Short circuit protection data

### 5.3 Overspeed Protection

The safety system integrated in the VMP8000 control system monitors the rotor speed, using a combination of sensors in the hub. In case of an overspeed situation, the safety system activates the hydraulic safety pitch system, which will feather the blades and bring the turbine to standstill.

Overspeed Protection	
<b>Sensor Type</b>	MEMS
<b>Trip Level</b>	Variant dependent

Table 5-2: Overspeed protection data

### 5.4 Arc Detection

The turbine is equipped with an Arc Detection system including multiple optical arc detection sensors placed in the HV transformer compartment and the converter cabinet. The Arc Detection system is connected to the turbine safety system ensuring immediate opening of the HV switchgear if an arc is detected.

### 5.5 Smoke Detection

The turbine is equipped with a Smoke Detection system including multiple smoke detection sensors placed in the nacelle, in the transformer compartment, in main electrical cabinets in the nacelle and in the tower base. The Smoke Detection system is connected to the turbine safety system ensuring immediate opening of the HV switchgear if smoke is detected.

## 5.6 Lightning Protection of Blades, Nacelle, Hub and Tower

The Lightning Protection System (LPS) helps protect the wind turbine against the physical damage caused by lightning strikes. The LPS consists of five main parts:

- Air termination system e.g. lightning receptors. All lightning receptor surfaces on the blades are unpainted, excluding the Solid Metal Tips (SMT).
- Down conducting system (a system to conduct the lightning current down through the wind turbine to help avoid or minimise damage to the LPS itself or other parts of the wind turbine).
- Protection against overvoltage and overcurrent.
- Shielding against magnetic and electrical fields.
- Earthing system.

Lightning Protection Design Parameters			Protection Level I
<b>Current Peak Value</b>	$i_{max}$	[kA]	200
<b>Impulse Charge</b>	$Q_{impulse}$	[C]	100
<b>Total Charge</b>	$Q_{total}$	[C]	300
<b>Specific Energy</b>	W/R	[MJ/Ω]	10
<b>Average Steepness</b>	di/dt	[kA/μs]	200

Table 5-3: Lightning protection design parameters (IEC)

## 5.7 EMC

The turbine and related equipment fulfil the EU Electromagnetic Compatibility (EMC) legislation:

- DIRECTIVE 2014/30/EU OF THE EUROPEAN PARLIAMENT AND OF THE COUNCIL of 26 February 2014 on the harmonisation of the laws of the Member States relating to electromagnetic compatibility.

The EMC performance is based on fulfilment of following standards:

### Emission

- IEC/CISPR 11 at wind turbine level
- IEC 61000-6-4 for telecommunications

### Immunity

- IEC 61000-6-2 for electronics installed
- IEC 61400-24 for lightning protection of electronics installed

Beside DIRECTIVE 2014/30/EU, electronics related to the functional safety evaluation shall fulfil

- IEC 62061 Safety on machinery (Directive 2006/42/EU Machinery)

## 5.8 RED (Radio Equipment Directive)

Related radio equipment installed in the turbine fulfil the EU legislation:

DIRECTIVE 2014/53/EU OF THE EUROPEAN PARLIAMENT AND OF THE COUNCIL of 16 April 2014.

## 5.9 EMF (ElectroMagnetic Fields)

Electromagnetic fields in the wind turbine are identified to ensure safe stay for personnel during design, production, operation and service.

The following directive is basis for ensuring minimum health and safety requirements regarding the exposure of workers to the risks arising from physical agents.

DIRECTIVE 2013/35/EU OF THE EUROPEAN PARLIAMENT AND OF THE COUNCIL of 26 June 2013.

## 5.10 Earthing

The Vestas Earthing System consists of individual earthing electrodes interconnected as one joint earthing system.

The Vestas Earthing System includes the TN-system and the Lightning Protection System for each wind turbine. It works as an earthing system for the medium voltage distribution system within the wind farm.

The Vestas Earthing System is adapted for the different types of turbine foundations. A separate set of documents describe the earthing system in detail, depending on the type of foundation.

In terms of lightning protection of the wind turbine, Vestas has no separate requirements for a certain minimum resistance to remote earth (measured in ohms) for this system. The earthing for the lightning protection system is based on the design and construction of the Vestas Earthing System.

A primary part of the Vestas Earthing System is the main earth bonding bar placed where all cables enter the wind turbine. All earthing electrodes are connected to this main earth bonding bar. Additionally, equipotential connections are made to all cables entering or leaving the wind turbine.

Requirements in the Vestas Earthing System specifications and work descriptions are minimum requirements from Vestas and IEC. Local and national requirements, as well as project requirements, may require additional measures.

## 5.11 Corrosion Protection

Classification of corrosion protection is according to ISO 12944-2:

Corrosion Protection	External Areas	Internal Areas
Nacelle	C5	C3
Hub	C5	C3
Tower	C5	C3

Table 5-5: Corrosion protection data for nacelle, hub, and tower

## 6 Safety

The safety specifications in this section provide limited general information about the safety features of the turbine and are not a substitute for Buyer and its agents taking all appropriate safety precautions, including but not limited to (a) complying with all applicable safety, operation, maintenance, and service agreements, instructions, and requirements, (b) complying with all safety-related laws, regulations, and ordinances, and (c) conducting all appropriate safety training and education.

### 6.1 Access

Access to the turbine from the outside is through a door located at the entrance platform approximately 3 meters above ground level. The door is equipped with a lock. Access to the top platform in the tower is by a ladder or service lift. Access to the nacelle from the top platform is by ladder. Access to the transformer room in the nacelle is controlled with an interlock. Unauthorised access to electrical switchboards and power panels in the turbine is prohibited according to IEC 60204-1 2006.

### 6.2 Escape

The primary evacuation route is through the tower via the tower ladder. In case the tower is blocked the secondary option is to descent directly from nacelle to ground via the service hatch.

It is a prerequisite that one or more descent devices are available in the turbine when there are people present in the turbine. A dedicated attachment point for a descent device is provided above the hatch.

For rescue the normal access routes can be used, in addition to this it is possible to lower an injured person to the ground through the crane hatch, the hatch in the spinner or from the nacelle roof.

The hatch in the roof can be opened from both the inside and outside. Evacuation from the service lift is by ladder.

An emergency response plan, placed in the turbine, describes evacuation and escape routes.

### 6.3 Rooms/Working Areas

The tower and nacelle are equipped with power sockets for electrical tools for service and maintenance of the turbine.

### 6.4 Floors, Platforms, Standing, and Working Places

All floors have anti-slip surfaces. There is one floor per tower section.

Rest platforms are provided at intervals of 9 metres along the tower ladder between platforms.

### 6.5 Service Lift

The service lift can be delivered as an option. Please contact Vestas for additional details.

### 6.6 Work restraint and fall arrest

The tower ladder is equipped with a fall arrest system, either a rigid anchor line or a wire.

The service areas in the turbines are equipped with anchor points. The anchor point may be used for work positioning, fall restraint, fall arrest and to attach a descent device to perform rescue or escape from the turbine.

Anchor points are coloured yellow and are tested to 22.5 kN.

### 6.7 Moving Parts, Guards, and Blocking Devices

All moving parts in the nacelle are shielded.

The turbine is equipped with a rotor lock to block the rotor and drive train.

Blocking the pitch of the blade can be done both automatically and manually with a mechanical blade lock.

### 6.8 Lights

The turbine is equipped with lights in the tower, nacelle and hub.

There is emergency light in case of the loss of electrical power.

### 6.9 Emergency Stop

There are emergency stop buttons in the nacelle, hub and tower.

### 6.10 Power Disconnection

The turbine is equipped with breakers to allow for disconnection from all power sources during inspection or maintenance. The switches are marked with signs and are located in the nacelle and bottom of the tower.

## 6.11 Fire Protection/First Aid

When there are people present in the turbine following fire and safety equipment must be available. In the nacelle: A first aid kit, a handheld fire extinguisher, and a fire blanket. In the tower a handheld fire extinguisher and a fire blanket at the entrance platform.

## 6.12 Warning Signs

Warning signs placed inside or on the turbine must be reviewed before operating or servicing the turbine.

## 6.13 Manuals and Warnings

The Vestas Corporate OH&S Manual and manuals for operation, maintenance and service of the turbine provide additional safety rules and information for operating, servicing or maintaining the turbine.

## 7 Environment

### 7.1 Chemicals

Chemicals used in the turbine are evaluated according to the Vestas Wind Systems A/S Environmental System certified according to ISO 14001:2015. The following chemicals are used in the turbine:

- Anti-freeze to help prevent the cooling system from freezing.
- Gear oil for lubricating the main bearing, gearbox and generator
- Hydraulic oil to pitch the blades and operate the brake.
- Grease for yaw system lubrication
- Transformer insulation liquid for HV transformer
- Various cleaning agents and chemicals for maintenance of the turbine.

## 8 Design Codes

### 8.1 Design Codes – Structural Design

The turbine design has been developed and verified in accordance with, but not limited to, the following main standards:

Design Codes	
<b>Nacelle and Hub</b>	IEC 61400-1 Edition 4 EN 50308
<b>Tower (IEC)</b>	IEC 61400-1 Edition 4
<b>Tower (DIBt)</b>	IEC 61400-1 Edition 3 Richtlinie für Windenergieanlagen, DIBt, Ausgabe: Oktober 2012
<b>Blades</b>	DNV-OS-J102 IEC 1024-1 IEC 60721-2-4 IEC 61400 (Part 1, 12 and 23) DEFU R25 DS/EN ISO 12944-2
<b>Gearbox</b>	IEC 61400-4
<b>Generator</b>	IEC 60034 (relevant parts)
<b>Transformer</b>	IEC 60076-11, IEC 60076-16, CENELEC HD637 S1
<b>Lightning Protection</b>	IEC 61400-24:2019
<b>Safety of Machinery, Safety-related Parts of Control Systems</b>	IEC 13849-1
<b>Safety of Machinery – Electrical Equipment of Machines</b>	IEC 60204-1

Table 8-1: Design codes

## 9 Colours

### 9.1 Nacelle Colour

Colour of Vestas Nacelles	
<b>Standard Nacelle Colour</b>	RAL 7035 (light grey)
<b>Standard Logo</b>	Vestas

Table 9-1: Colour, nacelle

### 9.2 Tower Colour

Colour of Vestas Tower Section		
	External:	Internal:
<b>Standard Steel Tower</b>	RAL 7035 (light grey)	RAL 9001 (cream white)
<b>Standard Concrete Hybrid Tower</b>	<b>Concrete part:</b> Unpainted concrete, corresponds approx. to RAL 7023 (concrete grey) <b>Steel part:</b> RAL 7035 (light grey)	<b>Concrete part:</b> Unpainted concrete, corresponds approx. to RAL 7023 (concrete grey) <b>Steel part:</b> RAL 9001 (cream white)
<b>Option for Concrete Hybrid Tower</b>	Concrete part can be painted with RAL 7035 (light grey)	

Table 9-2: Colour, tower

### 9.3 Blade Colour

Blade Colour	
<b>Standard Blade Colour</b>	RAL 7035 (light grey). All lightning receptor surfaces on the blades are unpainted, excluding the Solid Metal Tips (SMT).
<b>Tip-End Colour Variants</b>	RAL 2009 (traffic orange), RAL 3020 (traffic red)
<b>Gloss</b>	< 30% ISO 2813

Table 9-3: Colour, blades



## 10 Operational Envelope and Performance Guidelines

Actual climate and site conditions have many variables and should be considered in evaluating actual turbine performance. The design and operating parameters set forth in this section do not constitute warranties, guarantees, or representations as to turbine performance at actual sites.

### 10.1 Climate and Site Conditions

Values refer to hub height:

Extreme Design Parameters	
Wind Climate	All
Ambient Temperature Interval (Standard Temperature Turbine)	-40° to +50°C

Table 10-1: Extreme design parameters

### 10.2 Operational Envelope – Temperature and Altitude

Values below refer to hub height and are determined by the sensors and control system of the turbine.

Operational Envelope – Temperature	
Ambient Temperature Interval	-20° to +45°C
Ambient Temperature Interval (Low Temperature Operation)	-30° to +45°C

Table 10-2: Operational envelope – temperature

#### NOTE

The wind turbine will stop producing power at ambient temperatures above 45°C.

For turbine variant specific information related to power performance within the operational envelope, please refer to turbine variant specific Performance Specifications.

For the low temperature operation of the wind turbine, consult Vestas for site specific evaluation.

The turbine is designed for use at altitudes up to 1000 m above sea level as standard and optional up to 2000 m above sea level.

### 10.3 Operational Envelope – Grid Connection

Operational Envelope – Grid Connection		
Nominal Phase Voltage	[U <sub>NP</sub> ]	720 V
Nominal Frequency	[f <sub>N</sub> ]	50/60 Hz
Maximum Frequency Gradient	±4 Hz/sec.	
Maximum Negative Sequence Voltage	3% (connection) 2% (operation)	
Minimum Required Short Circuit Ratio at Turbine HV Connection	5.0 (contact Vestas for lower SCR levels)	
Maximum Short Circuit Current Contribution	1.05 p.u. (continuous)	

Table 10-3: Operational envelope – grid connection

The generator and the converter will be disconnected if\*:

Protection Settings	
Voltage Above 110%** of Nominal for 1800 Seconds	792 V
Voltage Above 116% of Nominal for 60 Seconds	835 V
Voltage Above 125% of Nominal for 2 Seconds	900 V
Voltage Above 136% of Nominal for 0.150 Seconds	979 V
Voltage Below 90%** of Nominal for 180 Seconds (FRT)	648 V
Voltage Below 85% of Nominal for 12 Seconds (FRT)	612 V
Voltage Below 80% of Nominal for 4.8 Seconds (FRT)	576 V
Frequency is Above 106% of Nominal for 0.2 Seconds	53/63.6 Hz
Frequency is Below 94% of Nominal for 0.2 Seconds	47/56.4 Hz

Table 10-4: Generator and converter disconnecting values

#### NOTE

\* Over the turbine lifetime, grid drop-outs are to occur at an average of no more than 50 times a year.

\*\* The turbine may be configured for continuous operation @ +/- 13 % voltage. Reactive power capability is limited for these widened settings to an extent that is yet to be determined.

### 10.4 Operational Envelope – Reactive Power Capability

For turbine variant specific reactive power capability, please refer to the variant specific Performance Specification.

## 10.5 Performance – Fault Ride Through

The turbine is designed to stay connected during grid disturbances within the voltage tolerance curve as illustrated below:

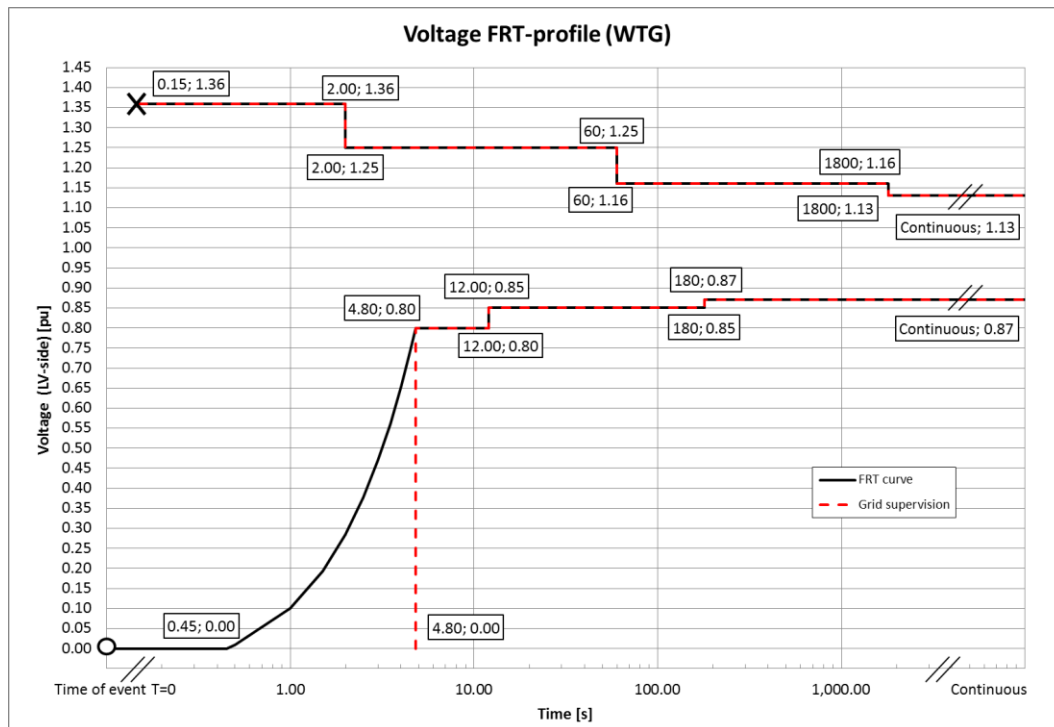


Figure 10-1: Voltage tolerance curve for symmetrical and asymmetrical faults, where U represents voltage as measured on the grid.

For grid disturbances outside the tolerance curve in Figure 10-1, the turbine will be disconnected from the grid.

Power Recovery Time	
Power Recovery to 90% of Pre-Fault Level	Maximum 0.1 seconds

Table 10-5: Power recovery time

## 10.6 Performance – Reactive Current Contribution

The reactive current contribution depends on whether the fault applied to the turbine is symmetrical or asymmetrical.

### 10.6.1 Symmetrical Reactive Current Contribution

During symmetrical voltage dips, the wind farm will inject reactive current to support the grid voltage. The reactive current injected is a function of the measured grid voltage.

The default value gives a reactive current part of 1 p.u. of the rated active current at the high voltage side of the HV transformer. Figure 10-2, indicates the reactive current contribution as a function of the voltage. The reactive current contribution is independent from the actual wind conditions and pre-fault power level. As seen in Figure 10-2, the default current injection slope is 2% reactive current increase per 1% voltage decrease. The slope can be parameterized between 0 and 10 to adapt to site specific requirements.

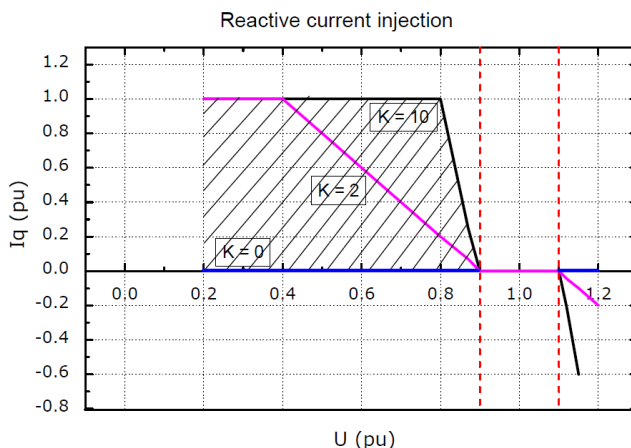


Figure 10-2: Reactive current injection

### 10.6.2 Asymmetrical Reactive Current Contribution

The injected current is based on the measured positive sequence voltage and the used K-factor. During asymmetrical voltage dips, the reactive current injection is limited to approximate 0.4 p.u. to limit the potential voltage increase on the healthy phases.

## 10.7 Performance – Multiple Voltage Dips

The turbine is designed to handle re-closure events and multiple voltage dips within a short period of time due to the fact that voltage dips are not evenly distributed during the year. For example, the turbine is designed to handle 10 voltage dips of duration of 200 ms, down to 20% voltage, within 30 minutes.

## 10.8 Performance – Active and Reactive Power Control

The turbine is designed for control of active and reactive power via the VestasOnline® SCADA system.

Maximum Ramp Rates for External Control	
<b>Active Power</b>	0.1 p.u./sec for max. power level change of 0.3 p.u. 0.3 p.u./sec for max. power level change of 0.1 p.u.
<b>Reactive Power</b>	20 p.u./sec

Table 10-6: Active/reactive power ramp rates

To support grid stability the turbine is capable to stay connected to the grid at active power references down to 10 % of nominal power for the turbine. For active power references below 10 % the turbine may disconnect from the grid.

### 10.9 Performance – Voltage Control

The turbine is designed for integration with VestasOnline® voltage control by utilising the turbine reactive power capability.

### 10.10 Performance – Frequency Control

The turbine can be configured to perform frequency control by decreasing the output power as a linear function of the grid frequency (over frequency). Dead band and slope for the frequency control function are configurable.

### 10.11 Distortion – Immunity

The turbine is able to connect with a pre-connection (background) voltage distortion level at the grid interface of 8% and operate with a post-connection voltage distortion level of 8%.

### 10.12 Main Contributors to Own Consumption

The consumption of electrical power by the wind turbine is defined as the power used by the wind turbine when it is not providing energy to the grid. This is defined in the control system as Production Generator 0 (zero).

The VMP8000 control system has a hibernate mode that reduces own consumption when possible. Similarly, cooling pumps may be turned off when the turbine idles.

The components in Table 10-7 have the largest influence on the own consumption of the wind turbine. The values given are maximum component consumption, but the average consumption can be lower depending on the actual conditions, the climate, the wind turbine output, the cut-off hours, etc.

Main contributors to Own Consumption	V150	V162
Hydraulic Motor	2 x 22 kW	3 x 18.5 kW
Yaw Motors	Max 23 kW	Max 26 kW
Generator Cooling Fans	4 x 2.5 kW	
Water Pumps	4 kW + 7.5 kW	
Oil Pump for Gearbox Lubrication	7.5 kW	
Controller Including Heating Elements for the Hydraulics and all Controllers	Approximately 3 kW	
HV Transformer No-load Loss	See section 4.3 HV Transformer	

Table 10-7: Main contributors to own consumption data.

## 11 Drawings

### 11.1 Structural Design – Illustration of Outer Dimensions

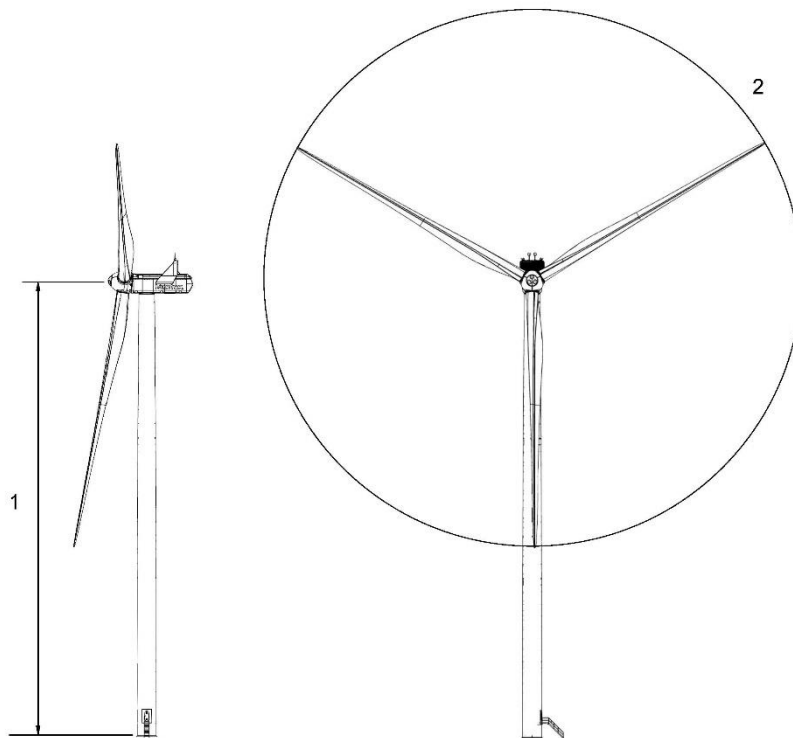


Figure 11-1: Illustration of outer dimensions – structure

- 1** Hub heights: See Performance Specification      **2** Rotor diameter: 150/162 m

## 12 General Reservations, Notes and Disclaimers

- © 2021 Vestas Wind Systems A/S. This document is created by Vestas Wind Systems A/S and/or its affiliates and contains copyrighted material, trademarks, and other proprietary information. All rights reserved. No part of the document may be reproduced or copied in any form or by any means – such as graphic, electronic, or mechanical, including photocopying, taping, or information storage and retrieval systems – without the prior written permission of Vestas Wind Systems A/S. The use of this document is prohibited unless specifically permitted by Vestas Wind Systems A/S. Trademarks, copyright or other notices may not be altered or removed from the document.
- The general descriptions in this document apply to the current version of the EnVentus™ turbines. Updated versions of the EnVentus™ turbines, which may be manufactured in the future, may differ from this general description. In the event that Vestas supplies an updated version of the EnVentus™ turbine, Vestas will provide an updated general description applicable to the updated version.
- Vestas recommends that the grid shall be as close to nominal as possible with limited variation in frequency and voltage.
- A certain time allowance for turbine warm-up must be expected following grid dropout and/or periods of very low ambient temperature.
- All listed start/stop parameters (e.g. wind speeds and temperatures) are equipped with hysteresis control. This can, in certain borderline situations, result in turbine stops even though the ambient conditions are within the listed operation parameters.
- The earthing system must comply with the minimum requirements from Vestas and be in accordance with local and national requirements and codes of standards.
- This document, General Description, is not an offer for sale, and does not contain any guarantee, warranty and/or verification of the power curve and noise (including, without limitation, the power curve and noise verification method). Any guarantee, warranty and/or verification of the power curve and noise (including, without limitation, the power curve and noise verification method) must be agreed to separately in writing.

---

## **OPERE CIVILI E STRUTTURE**



---

## ART. 1 NORME TECNICHE GENERALI

I materiali e le forniture occorrenti per la costruzione delle opere oggetto dell'appalto, dovranno essere approvvigionati dall'Impresa a sua totale cura e spese ed a tempo debito, in modo da evitare interruzione o ritardi nella esecuzione dei lavori e da assicurare l'ultimazione delle opere nel termine stabilito.

Essi dovranno essere delle migliori qualità esistenti in commercio e possedere le caratteristiche stabilite dalle leggi e da regolamenti vigenti in materia ed inoltre dovranno corrispondere perfettamente alla specifica normativa del presente Capitolato o degli altri atti contrattuali.

L'Impresa sarà tenuta ad uniformarsi ad ogni modifica ed interruzione delle disposizioni vigenti in materia che si verificassero nel corso dell'appalto, senza alcun titolo per speciali compensi o aumento dei prezzi.

Salvo i casi esplicitamente indicati nel Capitolato, i materiali e le forniture proverranno da quelle località che l'Impresa riterrà di sua convenienza, purchè, ad insindacabile giudizio della D.L., ne sia riconosciuta l'idoneità e la rispondenza ai requisiti prescritti.

A richiesta della D.L., la provenienza dei materiali e delle forniture dovrà essere idoneamente documentata.

Per la fornitura di materiali ed apparecchiature particolari specialmente per quelli elettrici e di finitura, l'Impresa sarà tenuta a fornire tempestivamente (se del caso entro i termini fissati dalla D.L.) una adeguata campionatura completa che permetta una scelta sufficiente fra materiali aventi analoghe caratteristiche ed uguale rispondenza alle prescrizioni di Capitolato.

La campionatura approvata, munita dei sigilli a firma della D.L. medesima, dovrà essere conservata, a cura e spese dell'Impresa, fino al termine delle operazioni di collaudo per il controllo della corrispondenza fra questa ed i materiali che saranno successivamente approvvigionati ed impiegati nei lavori.

Tutti i materiali e le forniture in genere, prima di essere impiegati dovranno essere approvati dalla D.L., pena la demolizione e la ricostruzione a totale carico dell'Impresa di tutte le opere non riconosciute corrispondenti alle condizioni contrattuali.

L'Impresa sarà obbligata in ogni tempo a presentarsi per eseguire o per fare eseguire presso il laboratorio di cantiere, presso gli stabilimenti di produzione o presso gli Istituti autorizzati, tutte le prove prescritte dal presente Capitolato e gli accertamenti speciali che potrà prescrivere la D.L. in

---

corso d'opera, sui materiali da impiegarsi o già impiegati, nonchè sui manufatti sia prefabbricati che formati in opera e sulle forniture in genere.

Il prelievo e la conservazione dei campioni sarà eseguito secondo la specifica normativa del C.N.R. e le particolari disposizioni della D.L.; i prelievi verranno effettuati in contraddittorio e saranno appositamente verbalizzati.

Tutte le spese per il prelevamento, la conservazione e l'inoltro dei campioni agli Istituti autorizzati, nonchè le spese per gli esami e le prove, ovunque e da chiunque effettuate, sono a completo carico dell'Impresa, che dovrà assolverle direttamente.

La D.L. disporrà secondo l'esito delle prove e degli accertamenti effettuati, fin da ora si stabilisce che i risultati ottenuti presso gli Istituti autorizzati saranno i soli da considerare validi ed impegnativi a tutti gli effetti del presente appalto.

L'Impresa farà sì che tutti i materiali abbiano ad avere, durante il corso dei lavori, le medesime caratteristiche riconosciute ed accettate dalla D.L.

Qualora in corso di coltivazione di cave o di esercizio delle fabbriche, stabilimenti, ecc., i materiali e le forniture non fossero più rispondenti ai requisiti prescritti, ovvero venissero a mancare e si presentasse quindi la necessità di cambiamenti negli approvvigionamenti, nessuna eccezione potrà essere accampata dall'Impresa, né alcuna variazione dei prezzi, fermi restando gli obblighi di cui al precedente capoverso.

Qualsiasi provvista non accettata dalla D.L., in quanto non riconosciuta idonea all'impiego a suo insindacabile giudizio, dovrà essere immediatamente allontanata dal cantiere, a cura e spese dell'Impresa, e tempestivamente sostituita con altra rispondente ai requisiti richiesti.

L'accettazione in cantiere dei materiali e delle provviste in genere da parte della D.L. non pregiudica in alcun modo il diritto della D.L. stessa, in qualsiasi momento, anche dopo l'impiego e fino a collaudo avvenuto, di rifiutare i materiali stessi e gli eventuali lavori eseguiti con essi, ove vengano riscontrati e non corrispondenti alle condizioni contrattuali o ai campioni approvati.

In ogni caso l'Impresa resta sempre e comunque unica garante e responsabile della perfetta esecuzione dei lavori, anche per quanto può dipendere dai materiali impiegati, ancorchè accettati dalla D.L.

Rimane infine espressamente convenuto che l'Amministrazione si riserva in ogni momento e a proprio insindacabile giudizio la facoltà di scorporare dall'appalto qualsiasi genere di materiale e di forniture occorrente per la esecuzione dei lavori che intendesse provvedere direttamente e di affidarne la posa in opera ad altra Ditta o alla stessa Impresa, che avrà l'obbligo di provvedere,

---

senza poter pretendere alcun compenso od indennizzo per la mancata fornitura.

## **1.1. ART. 2 NORME TECNICHE**

### **1.1.1. NORMATIVE**

Per tutto ciò che non sia in opposizione con le condizioni espresse nel presente Capitolato e nel Contratto, l'appalto deve tenersi sottoposto alla integrale e rigorosa applicazione di tutte le leggi, decreti, regolamenti e circolari aventi per oggetto l'appalto e l'esecuzione di opere pubbliche dello Stato che sono nelle attribuzioni del Ministero dei LL.PP. ed in modo particolare alla Legge 11.02.1994 n. 109 e successive modifiche ed integrazioni.

Per espresso patto contrattuale si stabilisce inoltre che, nell'esecuzione dei lavori, da parte dell'Impresa appaltatrice e sotto la sua totale ed esclusiva responsabilità dovranno essere integralmente e rigorosamente applicate tutte le leggi, decreti, regolamenti e circolari, vigenti o poste in vigore durante il corso dei lavori, emanati dallo Stato e, per i rispettivi ambiti territoriali, dalla Regione, dalla Provincia, dal Comune e dalle altre Autorità competenti, in materia di esecuzione di opere pubbliche, di caratteristiche, qualità e prove di accettazione dei materiali da costruzione e di norme tecniche per le costruzioni ed in materia di sicurezza ed igiene del lavoro, nonché tutte le norme tecniche dettate dalla Scienza delle costruzioni ed emanate dal C.N.R., dalla C.E.T. e tutta la normativa UNI, UNIPLAST, C.E.I.-UNEL, WIFE, attinenti alle opere eseguite nel corso dei lavori.

### **1.1.2. ACQUA**

L'acqua da impiegare nella formazione delle malte e dei calcestruzzi dovrà essere dolce, limpida, scevra di materie terrose od organiche e non aggressiva, dovrà avere un pH compreso fra 6 e 8 ed una torbidità non superiore al 2%.

L'acqua da impiegare negli impasti cementizi non dovrà presentare tracce di sali in percentuali dannose (in particolare solfati e cloruri in concentrazioni superiori allo 0,5%).

Tale divieto rimane tassativo ed assoluto per i calcestruzzi armati ed in genere per tutte le strutture inglobanti materiali metallici soggetti a corrosione.

### **1.1.3. GHIAIE, PIETRISCHI E SABBIE PER CONGLOMERATI CEMENTIZI**

Le ghiaie i pietrischi e le sabbie da impiegare nella formazione dei conglomerati cementizi per opere in calcestruzzo semplice ed armato, dovranno corrispondere al requisiti prescritti dal D.M. 14

---

Febbraio 1992, dalla circolare 24.06.1993 n°374061stc ed eventuali successive modifiche ed integrazioni, nonché alle normative UNI CNR.

Detti materiali dovranno essere costituiti da elementi omogenei, di natura preferibilmente silicea o silicatica, provenienti da rocce con alta resistenza alla compressione, compatte, uniformi e non gelive, con esclusione di rocce decomposte o gessose o marmose.

Dovranno risultare assolutamente esenti da sostanze organiche, limose od argillose e da altre sostanze estranee o comunque nocive.

La sabbia da usarsi in miscela con leganti idraulici dovrà essere assolutamente esente da solfati, ove necessario ripetutamente lavata con acqua dolce fino al raggiungimento dei requisiti richiesti.

Tra le ghiaie si escluderanno quelle contenenti elementi di scarsa resistenza meccanica, sfaldati o facilmente sfaldabili e quelle rivestite da incrostazioni.

L'assortimento granulometrico degli aggregati da impiegarsi nella formazione dei conglomerati dovrà sempre corrispondere a quello stabilito dalla D L. in relazione alla destinazione dei getti e alle modalità di posa in opera dei calcestruzzi.

L'impresa avrà l'obbligo di garantire comunque la costanza delle caratteristiche e dell'assorbimento granulometrico prescritto e di porre a disposizione della D.L. in cantiere gli strumenti di misura e la serie completa dei setacci e dei crivelli unificati.

#### **1.1.4. PIETRISCHI, PIETRISCHETTI, GRANIGLIE, SABBIE ED ADDITIVI PER PAVIMENTAZIONI**

Gli inerti e gli additivi (fillers) da impiegare nella formazione di conglomerati bituminosi dovranno corrispondere alle caratteristiche e ai requisiti di accettazione prescritti dalle “Norme per l'accettazione dei pietrischi, dei pietrischetti, delle graniglie, delle sabbie e degli additivi per costruzioni stradali” del C.N.R., Fascicolo n. 4 ed essere rispondenti alle rispettive norme di esecuzione lavori.

In particolare si prescrive:

a) Pietrischetti e graniglie.

I pietrischetti e le graniglie dovranno provenire dalla frantumazione di materiale litoide, preferibilmente di natura silicea o basaltica ed in ogni caso di alta resistenza alla compressione, all'urto, all'abrasione ed al gelo.

b) Sabbia

La sabbia naturale o di frantumazione dovrà essere preferibilmente di natura silicea o, in subordine, silicatica o calcarea, con esclusione di rocce decomposte o gessose e dovrà risultare

---

di grana omogenea e ben assortita. In ogni caso la sabbia dovrà risultare dura, ruvida al tatto e assolutamente esente da materie terrose e da sostanze organiche o comunque nocive, e corrispondere alle caratteristiche granulometriche prescritte dall'art. 2 delle “Norme per l'accettazione dei pietrischi, delle graniglie, delle sabbie e degli additivi per costruzioni stradali” CNR Fascicolo n. 4

c) **Additivi (fillers)**

Gli additivi dovranno provenire dalla frantumazione di rocce calcaree di ottima qualità e potranno essere sostituiti da cemento o da polvere di rocce asfaltiche passanti al setaccio 0.075 CNI 2332/1 con esclusione di polveri di amianto.

#### **1.1.5. TERRE E TERRENI PER RILEVATI E RINTERRI**

Le terre ed i terreni di fiume o di cava, naturali o vagliate, ed i detriti di cava da utilizzarsi per la costruzione dei rilevati e per i rinterrati, dovranno corrispondere integralmente alla descrizione e alle caratteristiche e requisiti di accettazione dell'art. 7 delle Norme CNR-UNI n. 10006 “costruzione dei rilevati”.

Il materiale dovrà risultare completamente esente da radici o da sostanze organiche e da toppe argillose o limose e dovrà essere costituito da aggregato fine legante (passante al setaccio 0,075 UNI) in quantità limitata e da aggregato grosso e medio composto da elementi litici duri e tenaci.

Per l'impiego, la qualità, le caratteristiche dei materiali e la loro accettazione, l'Impresa sarà obbligata a prestarsi in ogni tempo, a sua cura e spese, a fare eseguire presso gli Istituti autorizzati quelle prove che la D.L. riterrà opportune e necessarie.

#### **1.1.6. CALCI AEREE - GESSI PER EDILIZIA**

a) Calci aeree

Le calci aeree dovranno avere le caratteristiche e i requisiti prescritti dalle “Norme per l'accettazione delle calci”, di cui al R. D. 16 novembre 1939, n. 2231. Se non diversamente disposto sarà consentito esclusivamente l'impiego di calce idrata in polvere. Essa dovrà provenire dallo spegnimento totale di ottime calci in zolle, attuato in stabilimenti specializzati; la polvere dovrà presentarsi fine, omogenea e secca e dovrà essere confezionata in imballaggi idonei che saranno conservati in locali ben asciutti. Gli imballaggi dovranno portare ben visibili l'indicazione del produttore, il peso del prodotto e la specifica se si tratta di fiore di calce o di calce idrata da costruzione.

---

b) Gessi per edilizia

I gessi per edilizia dovranno avere le caratteristiche ed i requisiti prescritti dalle norme UNI 5371-84. Essi dovranno essere di recente cottura, perfettamente asciutti, di fine macinazione, scevri di materie eterogenee e senza parti alterate per estinzione spontanea. I gessi dovranno essere approvvigionati in sacchi sigillati di idoneo materiale riportanti il nome del produttore e la qualità del gesso contenuto. La conservazione dovrà essere effettuata con tutti gli accorgimenti atti ad evitare degradazioni da umido. Saranno senz'altro rifiutati ed allontanati dal cantiere i gessi che risultino avere una presa troppo lenta e che, bagnati, assumano colore grigio.

**1.1.7. LEGANTI IDRAULICI - ADESIVI – ADDITTIVI**

a) Leganti idraulici

I leganti idraulici dovranno avere le caratteristiche ed i requisiti prescritti dalla Legge 26 maggio 1965, n. 595 e dal D.M. 3 giugno 1968, 31 agosto 1972, D.M. 20.11.1984 e D.M. 13.09.1993.

La fornitura dei leganti idraulici in cantiere dovrà avvenire in sacchi sigillati, ovvero in imballaggi speciali a chiusura automatica a valvola, ovvero ancora allo stato sfuso. In ogni caso dovranno essere chiaramente indicati il peso e la qualità del legante, lo stabilimento di produzione, la quantità di acqua per malta normale e le resistenze minime a trazione e compressione a 28 gg. di stagionatura, a mezzo stampa nei primi due casi e con documenti di accompagnamento nell'ultimo. Per ogni tipo di legante la fornitura dovrà essere munita del contrassegno di garanzia della qualità. L'introduzione in cantiere di ogni partita di cemento sfuso dovrà risultare dal giornale dei lavori e dal registro dei getti. La conservazione dei leganti dovrà essere effettuata in locali asciutti, predisposti a cura e spese dell'Impresa, e su tavolati in legname. Per quelli allo stato sfuso lo stoccaggio sarà effettuato in sili adeguatamente protetti. Anche ad accettazione avvenuta di una partita, verranno rifiutati ed immediatamente allontanati dal cantiere tutti quei sacchi il cui contenuto presenti grumi o parti avariate o comunque dimostri di aver subito l'azione dell'umidità.

b) Adesivi

Per gli interventi di ripresa dei getti o di getti nuovi su vecchi, nonché per la stuccatura di giunti, è previsto l'impiego di particolari materiali quali resine viniliche, polisolfuri (thiokol) con relativi "primer". L'Impresa è obbligata ad impiegare materiali di prima qualità e a tal fine si impegna a sottoporre al giudizio della D.L. tre campioni di materiale di ogni tipo, forniti da Case di primaria

---

importanza e corredati da documentazione di prove di laboratorio e di pratiche applicazioni. La D.L. si riserva di far eseguire a spese dell'Impresa tutte le necessarie ulteriori prove di qualifica e di controllo. Una volta che la D.L. si riserva di far eseguire a spese dell'Impresa tutte le necessarie ulteriori prove di qualifica e di controllo. Una volta che la D.L. abbia effettuato la propria insindacabile scelta, l'Impresa è obbligata all'impiego, nei modi prescritti, dei materiali stessi, della cui rispondenza ai fini specifici, anche nel tempo, resta pienamente e totalmente responsabile.

c) Additivi

Analoghe prescrizioni si applicano ai materiali additivi da impiegare quali fluidificanti e antiritiro nelle malte di iniezione di bloccaggio di armature di ferro entro perforazioni. Per tale impiego l'Impresa potrà altresì proporre l'uso di resine poliesteri o di altro tipo, di cui l'Impresa stessa possa documentatamente offrire piena garanzia di efficienza e durevolezza. Su richiesta della D.L. l'impresa dovrà esibire i risultati di laboratorio ufficiale che attestino la conformità del prodotto alle norme UNI vigenti.

**1.1.8. EMULSIONI BITUMINOSE – BITUMI**

a) Emulsioni bituminose

Le emulsioni bituminose da impiegarsi nella costruzione delle pavimentazioni stradali dovranno corrispondere ai requisiti prescritti dalle “Norme per l'accettazione delle emulsioni bituminose per usi stradali”, fascicolo n. 3, ultima edizione, del C.N.R. L'emulsione bituminosa approvvigionata in cantiere dovrà risultare omogenea, priva di agglomerati e di filacce ed assicurare la perfetta rottura all'atto dell'impiego. L'emulsione che manifestasse nei fusti il fenomeno dell'agglomeramento, darà senz'altro motivo alla contestazione dell'intera partita, che l'Impresa dovrà provvedere immediatamente ad allontanare dal cantiere. L'emulsione cationica (o acida) dovrà garantire il suo impiego nella stagione piovosa con aggregati bagnati, anche quando gli stessi siano costituiti da rocce idrofile.

Per l'accettazione e l'impiego dell'emulsione, l'Impresa sarà obbligata a prestarsi in ogni tempo a fare eseguire presso gli Istituti autorizzati tutte le prove e le analisi richieste dalla D.L., sottostando ad ogni spesa di prelevamento ed invio dei campioni e di analisi.

L'Impresa accetta fin da ora di riconoscere tali risultati come gli unici validi ed impegnativi a tutti gli effetti del presente Capitolato.

b) Bitumi

---

I bitumi da impiegarsi per la confezione dei conglomerati bituminosi dovranno corrispondere ai requisiti prescritti dalle “Norme per l’accettazione dei bitumi per usi stradali”, Fascicolo n. 2151 dei C.N.R. ed ai BU CNR 24/71 35/73 43/74 50/76 e 44/74.

### **1.1.9. MATERIALI LATERIZI**

I materiali laterizi da impiegarsi nella esecuzione delle murature e nella costruzione dei solai e dei tetti dovranno provenire dalle migliori fornaci e dovranno rispondere alle “Norme per l’accettazione dei materiali laterizi” di cui al R.D. 16 novembre 1939, n. 2233.

Tutti i laterizi ed i manufatti ad uso nelle costruzioni dovranno inoltre rispondere alle condizioni stabilite dal D.P.R. 21/04/93 n 246.

Per laterizi da murature in genere si farà riferimento alle norme UNI 8942 1 ° 2° e 3°.

Per le opere in muratura non in zona sismica si farà riferimento al D.M. 20.11.87 “norme tecniche per la progettazione l’esecuzione ed il collaudo degli edifici in muratura” nonché la circolare LL.PP. 4.1.89 n. 30787.

Per i laterizi da impiegare nei solai si farà riferimento alle norme UNI 9730 1 ° 2° e 3°.

I laterizi, di qualsiasi tipo, forma e dimensioni (pieni, forati e per coperture) dovranno nella massa essere scevri da sassolini ed altre impurità; avere forma regolare, facce lisce e spigoli sani; presentare alla frattura (non vetrosa) grana fine, compatta ed uniforme; essere sonori alla percussione; assorbire acqua per immersione ed asciugarsi all’aria con sufficiente rapidità; non sfaldarsi o sfiorire sotto l’influenza degli agenti atmosferici e di soluzioni saline; non screpolarsi al fuoco e al gelo; avere resistenza adeguata, colore omogeneo e giusto grado di cottura, non contenere sabbia con sali di sodio o potassio, avere forma geometrica precisa ed infine un contenuto di solfati alcalini tali che il tenore di SO<sub>3</sub> sia minore dello 0,05%.

Per la definizione delle categorie, dei requisiti e delle prove si dovrà fare riferimento alle norme U.N.I. 2105, 2106, 2107, 8942/1, 8942/2, 8942/3, 9730/1, 9730/2, 9730/3.

#### 1) Mattoni pieni e semipieni, mattoni e blocchi forati per murature

Per quanto riguarda le categorie, le caratteristiche e le prove di qualificazione si farà riferimento alla normative UNI 8942/1 e 8942/3, ed alle prescrizioni di cui all’allegato 7 dei DM 14 febbraio 1992.

I materiali dovranno presentare facce piane e spigoli regolari, essere esenti da screpolature, fessure e cavità, ed avere superfici atte alla adesione delle malte. I mattoni da paramento dovranno presentare in modo particolare regolarità di forma, integrità superficiale e sufficiente uniformità di



---

colore per l'intera partita. La categoria non dovrà essere inferiore alla 3°.

2) Mattoni pieni

Per la designazione del tipo e delle dimensioni, si farà riferimento alla normativa UNI 8942/1.

Se non diversamente disposto i mattoni impiegati dovranno essere dei tipo A 5,5 x 12/2 UNI 8942/1, di categoria non inferiore alla 2°.

3) Mattoni semipieni

Per la designazione delle dimensioni si farà riferimento alla normativa UNI 8942/1. Se non diversamente disposto, dovranno essere impiegati mattoni di tipo 12 x 12/2 UNI 8942/1, di categoria non inferiore alla 2°. L'efflorescenza in prova dovrà risultare nulla ed il potere di imbibizione non superiore al 15%.

4) Blocchi forati per murature

Per la designazione delle dimensioni si farà riferimento alla normativa UNI 8942/1. Se non diversamente disposto, dovranno essere impiegati blocchi forati di tipo 12 x 12 x 25/4 UNI 8942/1, di categoria non inferiore alla 4°, se portanti. Le facce dei blocchi dovranno essere leggermente rigate per aumentare l'aderenza delle malte e gli spigoli longitudinali arrotondati; l'area di ciascun foro non dovrà superare il 10% della superficie della faccia forata.

5) Mattoni forati

Per la designazione delle dimensioni si farà riferimento alla normativa UNI 8942/1. Salvo diversa specifica i mattoni forati dovranno corrispondere alla 1° categoria, se portanti.

6) Blocchi forati per solai

Per la designazione del tipo e delle dimensioni si farà riferimento alla normativa UNI 8942/1, e per le caratteristiche e le prove di qualificazione alla normativa UNI 8942/1. Se non diversamente disposto, verranno utilizzati esclusivamente blocchi di tipo A 8942/1 (volterrane). La resistenza a compressione, riferita alla sezione netta delle pareti e dei setti dovrà risultare non inferiore a 200 Kg./cmq.; dovranno inoltre essere rispettate le norme di cui al punto 7., Parte 1° D.M. 1 aprile 1983.

7) Tavelle e tavelloni

---

Le tavelle ed i tavelloni dovranno possedere le caratteristiche ed i requisiti prescritti dalla normativa UNI 2107 e per la designazione del tipo e delle dimensioni si farà riferimento alla normativa UNI 2105 e UNI 2106.

8) Tegole piane e tegole curve

Dovranno corrispondere alle caratteristiche ed ai requisiti prescritti dalla normativa UNI 8635 e per la designazione del tipo e delle dimensioni si farà riferimento alla normativa UNI 8626.

Tali materiali, sottoposti alla prova di impermeabilità, dopo 24 ore non dovranno presentare trasudi di acqua.

### **1.1.10. MATERIALI FERROSI**

I materiali ferrosi da impiegare nei lavori oggetto del presente appalto dovranno essere esenti da scorie, soffiature, saldature, paglie e da qualsiasi altro difetto apparente o latente di fusione, laminazione, profilature, fucinature e simili.

Essi dovranno soddisfare tutte le condizioni generali previste dal D.M. 14 febbraio 1992 e tutte le particolari prescrizioni di seguito riportate.

- Acciai per calcestruzzi

Gli acciai per barre ad aderenza migliorata da impiegarsi nella esecuzione delle opere in calcestruzzo armato dovranno rispondere alle prescrizioni di cui al D.M. 14 febbraio 1992 e successive modifiche ed integrazioni.

- Acciai per strutture metalliche

Gli acciai, i bulloni ed i chiodi da impiegarsi nella esecuzione delle strutture metalliche portanti, dovranno rispondere alle prescrizioni di cui al D.M. 14 febbraio 1992 e successive modifiche ed integrazioni ed in particolare:

- I. Gli acciai da impiegare, di uso generale laminati a caldo in profilati, barre, larghi piatti, lamiere e tubi, dovranno essere del tipo 1 o del tipo 2 definiti, per le caratteristiche meccaniche, al punto 2.1. 2.1. della Parte 2° di che trattasi. Per la classificazione dell'acciaio si farà riferimento alla normativa UNI EN 10020. Tra gli acciai di tipo 1 verranno utilizzati gli acciai Fe 42 grado B della norma UNI EN 10025.

---

II Per l'esecuzione delle parti in getto sarà impiegato acciaio fuso di tipo Fe G 38 VR e Fe G 52 VR della norma UNI 3158-68. Per gli apparecchi metallici di appoggio, fissi o scorrevoli, che trasmettono pressioni per contatto, dovrà essere utilizzato esclusivamente acciaio di tipo Fe G 52 VR.

- Profilati, barre e larghi piatti di uso generale; lamiere di acciaio

Per qualità e caratteristiche i materiali dovranno essere conformi alle prescrizioni della Norma UNI EN 10025. Per le dimensioni e le tolleranze ammesse nei profilati e nelle lamiere si farà riferimento alla seguente normativa: UNI 5397-64; UNI 5398-64; UNI 5679-73; UNI 5681-73; UNI EN 10029 ed UNI EN 10025. Le superfici dei laminati dovranno essere esenti da cretti, scaglie, paglie, ripiegature, cricche od altri difetti.

#### **1.1.11. TUBI IN CONGLOMERATO CEMENTIZIO SEMPLICE – TUBI IN CEMENTO ARMATO**

##### ***I) TUBI IN CONGLOMERATO CEMENTIZIO SEMPLICE***

###### **a) Definizione**

Appartengono a questa categoria e sono soggetti alle seguenti norme i condotti in conglomerato cementizio nei quali o non esiste armatura metallica, ovvero la stessa sia prevista esclusivamente per le necessità di trasporto e di posa.

###### **b) Forme**

Sono normalizzati in questo articolo tubi e pezzi speciali, con o senza piede, con giunto a maschio e femmine o a bicchiere, con spessori normali o, per i tubi circolari, rinforzati, aventi le seguenti forme:

- tipo C: circolare senza piede (UNI 9534/89)
- tipo CR: circolare senza piede rinforzato
- tipo CP: circolare con piede (UNI SS90 - EO7.04.088.0)
- tipo CPR: circolare con piede rinforzato
- tipo OP: ovoidale con piede

###### **c) Dimensioni**

La lunghezza dei tubi in mm deve essere un multiplo di 500. Le dimensioni dei tubi sono indicate nelle tabelle che seguono.

d) Indicazioni di riconoscimento

I tubi devono essere contrassegnati in modo durevole sulla parete esterna, con l'indicazione di:

- 1) marchi di fabbrica
- 2) anno e mese di fabbricazione
- 3) dimensioni nominali e tipo del giunto.

e) Caratteristiche generali di qualità

I tubi e i pezzi speciali devono avere caratteristiche uniformi. Essi non devono presentare difetti che possano compromettere la loro resistenza, impermeabilità o durata.

Piccoli fori e screpolature superficiali fini, a tela di ragno, non hanno importanza, purchè siano rispettate le prescrizioni del presente Capitolato; Le estremità dei tubi devono presentare spigoli netti.

f) Tolleranze

La tolleranza sulla lunghezza nominale dei tubi è pari a  $\pm 1\%$ . Le tolleranze dalle dimensioni trasversali sono indicate nelle tabelle seguenti.

Le superfici interne dei tubi e la superficie del piede (per i tubi con piede) devono avere generatrici rettilinee; è ammesso uno scostamento massimo della retta pari allo 0,5% della lunghezza del tubo.

TUBI CIRCOLARI IN CONGLOMERATO CEMENTIZIO SEMPLICE - DI MENSIONI E TOLLERANZE										
(misure in mm.)										
DIAMETRO NOMINALE		MASSIMO SCARTO DELLE SUPERFICI FRONTALI (1)	LARGHEZZA DEL PIEDE	SPESSORI MINIMI						
MISURA	TOLLERANZA			TIPO C	TIPO CP		TIPO CR	TIPO CPR		
					Imposta	Chiave		Imposta	Chiave	Piede
100	$\pm 2$	3	80	22	22	22				
150	$\pm 2$	3	120	24	24	24				
200	$\pm 3$	4	160	26	26	26				
250	$\pm 3$	4	200	30	30	30				
300	$\pm 4$	5	240	36	36	36	50	50	50	50
400	$\pm 4$	6	320	42	42	42	65	50	65	90
500	$\pm 5$	6	400	50	50	58	85	70	85	110
600	$\pm 6$	8	450	58	58	70	100	85	100	130
700	$\pm 6$	8	500	66	66	80	115	100	115	150
800	$\pm 7$	10	550	74	74	90	130	115	130	170

900	± 7	10	600	( <sup>2</sup> )	( <sup>2</sup> )	( <sup>2</sup> )	145	130	145	195
1000	±8	12	650	( <sup>2</sup> )	( <sup>2</sup> )	( <sup>2</sup> )	160	145	160	215
1100	± 8	12	680	( <sup>2</sup> )	( <sup>2</sup> )	( <sup>2</sup> )	175	160	175	240
1200	± 10	14	730	( <sup>2</sup> )	( <sup>2</sup> )	( <sup>2</sup> )	190	170	190	260
1300	± 10	14	780	( <sup>2</sup> )	( <sup>2</sup> )	( <sup>2</sup> )	205	185	205	280
1400	± 10	16	840	( <sup>2</sup> )	( <sup>2</sup> )	( <sup>2</sup> )	220	200	220	300
1500	± 10	16	900	( <sup>2</sup> )	( <sup>2</sup> )	( <sup>2</sup> )	235	215	235	320

**TUBI OVOIDALI IN CONGLOMERATO CEMENTIZIO SEMPLICE - DIMENSIONI E TOLLERANZE**  
(misure in mm)

DIAMETRO NOMINALE		MASSIMO SCARTO SUP. FRONTAL ( <sup>1</sup> )	LARGHEZZA DEL PIEDE	SPESSORI MINIMI		
MISURA	TOLLERANZA			Imposta	Chiave	Piede
400x600	± 4	6	265	52	68	68
500x750	± 5	6	320	64	84	84
600x900	± 6	8	375	74	98	98
700x1050	± 6	8	430	84	110	110
800x1200	± 7	10	490	94	122	122
900x1350	± 7	10	545	102	134	134
1000x1500	± 8	12	600	110	146	146
1200x1800	± 10	14	720	122	160	160

(<sup>1</sup>) Per scarto delle superfici frontali si intende la massima distanza tra le superfici frontali e i piani perpendicolari all'asse tangenti al bordo esterno del tubo

(<sup>2</sup>) Da concordare con la direzione dei lavori

(<sup>3</sup>) Per scarto delle superfici frontali si intende la massima distanza tra le superfici frontali e i piani perpendicolari all'asse tangenti al bordo esterno del tubo.

g) Resistenza meccanica

I tubi, caricati al vertice, devono presentare i valori minimi di resistenza meccanica indicati nella tabella seguente.

h) Impermeabilità

I tubi, alla pressione interna di 0,5 bar (5 m di colonna d'acqua) per 15 minuti non devono assorbire quantitativi d'acqua superiori a quelli indicati nella tabella seguente.

La comparsa di macchie di umidità e di singole gocce sulla superficie esterna del tubo non è determinante per il giudizio di impermeabilità.

i) Esecuzione delle prove

Le misure per la verifica delle tolleranze e le prove di resistenza meccanica e di impermeabilità dei tubi devono essere eseguite secondo le modalità delle norme DIN 4032, che si intendono integralmente trascritte.

<b>TUBI IN CONGLOMERATO CEMENTIZIO SEMPLICE</b>			
Diametro nominale in tubi circolari (mm)	RESISTENZA MECCANICA		IMPERMEABILITA'
	FORZA DI SCHIACCIAMENTO AL VERTICE (kN/m)		Assorb. max. amm. di acqua (cm <sup>3</sup> /m)
	Tipo C e CP	Tipo CR e CPR	
100	24		100
150	26		110
200	27		120
250	28		140
300	30	50	160
400	32	63	210
500	35	80	270
600	38	98	290
700	41	111	300
800	43	125	360
900	( <sup>4</sup> )	138	400
1000	( <sup>4</sup> )	152	440
1100	( <sup>4</sup> )	166	480
1200	( <sup>4</sup> )	181	520
1300	( <sup>4</sup> )	194	560
1400	( <sup>4</sup> )	207	600
1500	( <sup>4</sup> )	220	640

<b>TUBI IN CONGLOMERATO CEMENTIZIO SEMPLICE</b>		
Dimensioni nominale tubi ovoidali (mm)	RESISTENZA MECCANICA	IMPERMEABILITA'
	FORZA DI SCHIACCIAMENTO AL VERTICE (kN/m)	Massimo assorbimento ammisibile di acqua (cm <sup>3</sup> /m)
400x600	50	270
500x750	61	320
600x900	69	360
700x1050	75	400
800x1200	77	440
900x1350	80	480
1000x1500	83	560
1200x1800	86	640

(<sup>4</sup>) La forza di schiacciamento deve essere stabilita conformemente alle esigenze statiche

---

l) Prove sulla produzione ordinaria

Per l'autocontrollo a cura del produttore, ai sensi dei precedenti articoli di Capitolato, i tubi verranno divisi nelle seguenti classi: con diametro nominale da 100 a 400, da 500 a 1000 mm, da 1100 a 1500, separate per spessori normali e rinforzati. Per ogni classe verranno eseguite le seguenti prove, con le frequenze accanto indicate:

- verifiche di tolleranza: 3 tubi alla settimana
- resistenza meccanica: 1 tubo ogni due settimane
- impermeabilità: 1 tubo alla settimana

I controlli presso i laboratori riconosciuti a cura del produttore, ai sensi dei precedenti articoli di Capitolato, verranno eseguiti almeno due volte all'anno su tre tubi per ognuna delle suddette classi.

m) Prove dirette

Per le prove dirette di laboratorio a carico dell'Appaltatore, ai sensi dei precedenti articoli di Capitolato, verranno prelevate le seguenti percentuali di pezzi riferite al complesso della fornitura divisa nelle classi sopraindicate:

- 1% per la prova di impermeabilità;
- 0,5% per la prova di resistenza meccanica allo schiacciamento.

## **II) TUBI IN CEMENTO ARMATO**

a) Definizione

Appartengono a questa categoria e sono soggetti alle norme seguenti i condotti in conglomerato cementizio con armatura metallica ortogonale o eventualmente anche parallela all'asse, calcolata in base alle esigenze statiche.

b) Forme

La forma abituale è quella circolare, con o senza piede. Possono essere usate altre forme in funzione delle esigenze idrauliche e statiche. I giunti possono essere a bicchiere o a manicotto.

c) Dimensioni

---

I diametri nominali dei tubi circolari vanno da 250 a 4.000 e più mm. La lunghezza dei tubi deve essere pari ad almeno 2.500 mm; essa deve essere multipla preferibilmente di 500 mm e come minimo di 140 mm per diametri da 250 a 1500 mm e di 100 mm per diametri maggiori di 1600.

d) Calcoli statici

Per l'esecuzione dei calcoli statici dei tubi, l'Appaltatore dovrà fornire al produttore tutte le necessarie indicazioni sulle condizioni di carico e messa in opera, e precisamente:

- peso proprio,
- grado di riempimento del tubo con i liquami,
- altezze minima e massima di copertura sopra il vertice dei tubi, se necessario suddividendo la canalizzazione in tratte con diverse altezze di copertura,
- carichi stradali,
- altri carichi (ad es materiali scaricati)
- profondità della falda freatica,
- sollecitazioni straordinarie dovute al trasporto, all'accatastamento ed alla messa in opera,
- tipo e forma del letto di posa: angolo di posa; posa su suoli naturali, su letto di sabbia e ghiaietto, su letto di calcestruzzo, su selle, ecc.,
- tipo di messa in opera:
- posa in fossa con pareti verticali o con scarpate, larghezza delta fossa, tipo dell'armatura e modalità del suo allontanamento;
- posa in superficie, su suolo naturale o di riporto; quota di fondo del tubo rispetto al suolo naturale,
- introduzione nel sottosuolo mediante spingitubo, con i relativi dettagli tecnici dell'operazione.

e) Armature

I tubi circolari dovranno avere un'armatura circolare, in uno o più strati, ovvero un'armatura ellittica adattata alla curva dei momenti flettenti.

L'armatura anulare deve essere disposta ad una distanza regolare, pari al massimo a 150 mm, su tutta la lunghezza del tubo, eventualmente piegate nel bicchiere ed unite nei punti di giunzione. Per ogni strato di armatura, devono essere disposte almeno 6 bacchette longitudinali, a distanze regolari lungo la circonferenza del tubo. La distanza tra due bacchette longitudinali vicine non può superare i 450 mm.



---

Con un'armatura in più strati, le bacchette longitudinali devono essere disposte sfalsate.

La gabbia dell'armatura deve essere saldamente collegata ed assicurata contro spostamenti, ad es. mediante distanziatori.

Qualora la gabbia dell'armatura venga collegata mediante saldature, queste non devono essere messe in conto nei calcoli statici.

I tubi la cui armatura anulare è stata disposta in funzione della curva dei momenti flettenti, e che quindi non possono essere installati in modo qualsiasi devono essere contrassegnati al vertice in modo durevole.

Le coperture minime dei ferri di armatura sono indicate nella tabella seguente.

<b>MISURE MINIME DELLE COPERTURE DEI FERRI NEI TUBI DI CEMENTO ARMATO</b>		
CONDIZIONI AMBIENTALI	COPERTURE DEI FERRI (mm)	
	Rapporto acqua/cemento A/C £ 0,4	Rapporto acqua/cemento A/C £ 0,5
Tubi in ambiente non aggressivo con umidità costante,	10	10
Tubi in ambiente debolmente aggressivo con umidità variabile	15	20
Tubi in ambiente fortemente aggressivo	20	25

N.B. Per tubi con un solo strato di armatura e spessore delle pareti s £ 60 mm e per tubi con più strati di armatura e spessore delle pareti s £ 90 mm, i valori della tabella possono essere diminuiti di 5 mm.

f) Indicazioni di riconoscimento

I tubi devono essere contrassegnati in modo durevole sulla parete esterna, con l'indicazione di:

- marchio di fabbrica
- anno e mese di fabbricazione
- dimensioni nominali e tipo del giunto
- posizione del vertice (se necessario in funzione della disposizione dell'armatura).

g) Caratteristiche generali di qualità

I tubi devono avere caratteristiche uniformi. Non sono ammessi tubi con segni di danneggiamento

---

che possano diminuire la loro possibilità di utilizzazione, ovvero la resistenza meccanica, l'impermeabilità e la durata. Le estremità dei tubi devono essere a spigoli vivi, con la fronte perpendicolare all'asse del tubo.

Piccoli intagli sulla superficie esterna e piccole fessure, di ampiezza inferiore a 0,2 mm, disposte irregolarmente, a tela di ragno, non hanno importanza ai fini del giudizio di qualità.

#### h) Tolleranze

Nella tabella seguente sono indicate le tolleranze ammissibili per la luce netta dei tubi e per il parallelismo delle superfici frontali.

<b>TOLLERANZE NELLE DIMENSIONI DEI TUBI DI CEMENTO ARMATO</b> (misure in mm)		
LUCE NETTA "d"	Tolleranza della luce netta	Massimo scarto delle superfici frontali
d ≤ 275	± 3	4
275 < d ≤ 350	± 4	5
350 < d ≤ 450	± 4	6
450 < d ≤ 550	± 5	7
550 < d ≤ 750	± 6	8
750 < d ≤ 950	± 7	9
950 < d ≤ 1150	± 8	10
1150 < d ≤ 1350	± 9	10
1350 < d ≤ 1550	± 10	12
1550 < d ≤ 1950	± 12	12
1950 < d ≤ 2350	± 14	14
2350 < d ≤ 2750	± 16	16
2750 < d ≤ 3050	± 18	18
<u>d &gt; 3050</u>	± 20	20

Le tolleranze ammissibili per la lunghezza nominale del tubo non possono superare +/-1%.

La superficie interna dei tubi deve avere generatrici rettilinee; è ammesso uno scostamento massimo dalla retta pari allo 0,5% della lunghezza del tubo.

#### i) Impermeabilità

I tubi, alla pressione interna di 0,5 bar (5 m di colonna d'acqua) per 15 minuti, non devono assorbire quantitativi d'acqua superiori a quelli indicati dalla tabella seguente.

---

## IMPERMEABILITA' DEI TUBI DI CEMENTO ARMATO

Forma	Diametro nominale "d" (mm)	Assorbimento max ammissibile (l/mq di superficie)
	250 £ d £ 600	0,08
Circolare	700 £ d £ 1000	0,07
	d <sup>3</sup> 1100	0,05

La comparsa di macchie di umidità e di singole gocce sulla superficie esterna del tubo non è determinante per il giudizio di impermeabilità.

### l) Resistenza meccanica

I tubi, caricati al vertice, devono presentare i valori minimi di resistenza meccanica di cui alle norme DIN 4035

### m) Esecuzione delle prove

Le misure per le verifiche di tolleranza e le prove di resistenza meccanica e di impermeabilità dei tubi devono essere eseguite secondo le modalità delle norme DIN 4035, che si intendono integralmente trascritte.

Le prove sul calcestruzzo e sull'armatura metallica devono essere eseguite secondo la vigente legislazione italiana.

## PROVE SULLA PRODUZIONE ORDINARIA

Per l'autocontrollo a cura del produttore, ai sensi dei precedenti articoli di Capitolato, i tubi verranno divisi nelle seguenti classi: con diametro nominale fino a 400 mm, da 500 a 1.000 mm, da 1.100 a 1.600 mm, oltre 1700 mm compresi.

Verranno eseguite le seguenti prove, con le frequenze a fianco indicate:

- Caratteristiche generali di qualità e tolleranze 1 tubo alla settimana per ogni classe
- Resistenza a compressione del calcestruzzo 3 cubetti alla settimana da diversi impasti
- Resistenza a trazione della armatura 5 campioni al mese per ogni saldatrice
- Esecuzione della saldatura 10 campioni al mese per ogni saldatrice
- Resistenza a fatica della armatura 5 campioni all'anno per ogni saldatrice
- Impermeabilità dei tubi 1 tubo alla settimana per ogni classe

---

I controlli presso i laboratori riconosciuti a cura del produttore, verranno eseguiti almeno due volte all'anno per le classi di tubi sopra specificate e per le prove e il numero di campioni sottoindicati:

- Caratteristiche generali di qualità e tolleranze 3 tubi per classe
- Resistenza a compressione del calcestruzzo 3 cubetti
- Resistenza a trazione della armatura ed esecuzione della saldatura 3 campioni
- Impermeabilità dei tubi 3 tubi per classe

#### PROVE DIRETTE

Per le prove dirette di laboratorio, a carico dell'Appaltatore, ai sensi dei precedenti articoli di Capitolato, verranno prelevate le seguenti percentuali di tubi, riferite al complesso della fornitura divisa nelle classi sopra indicate:

- 1% per la prova di impermeabilità
- 0,5% per la prova di resistenza meccanica allo schiacciamento

### **1.1.12. PRESCRIZIONI GENERALI SULLA GIUNZIONE DEI TUBI**

#### 1) CONCETTI GENERALI

##### 1.1) Giunzione dei tubi

###### *1.1.1) Giunzione per introduzione*

La giunzione per introduzione è una giunzione mobile il cui effetto di tenuta viene realizzato mediante

introduzione della punta di un tubo del bicchiere o manicotto del tubo vicino, assieme a materiale sigillante, eventualmente compresso da un anello.

###### *1.1.2) Giunzione per serraggio*

La giunzione per serraggio è una giunzione, il cui effetto di tenuta viene realizzato mediante incollaggio delle estremità dei tubi da collegare. Secondo il tipo del materiale adesivo utilizzato vengono realizzate giunzioni rigide oppure mobili.

###### *1.1.3) Giunzione per saldatura*

La giunzione rigida, il cui effetto di tenuta viene realizzato mediante saldatura delle estremità dei tubi da collegare.

###### *1.1.4) Giunzione per flangiatura*

La giunzione a flangiatura è una giunzione rigida, il cui effetto di tenuta viene realizzato mediante

---

compressione di un materiale sigillante tra le flange.

## 1.2) Materiali sigillanti

### 1.2.1) *Materiali sigillanti elastici*

I materiali sigillanti elastici sono costituiti da elastomeri che vengono introdotti nei giunti da sigillare mediante deformazione elastica. Il loro effetto di tenuta rispetto a liquami in pressione dipende dalla tensione elastica di ritorno che si sviluppa mediante la deformazione del materiale.

### 1.2.2) *Materiali sigillanti plastici*

I materiali sigillanti plastici sono costituiti da sostanze non reticolate, che mediante un processo di scorrimento si adattano alla forma dei giunti da sigillare. Il loro effetto di tenuta rispetto a liquami in pressione dipende dalla forza di adesione alle superfici del giunto e dal comportamento di scorrimento in relazione alla temperatura.

## 2) PRESCRIZIONI

### 2.1) Tenuta

Le giunzioni dei tubi devono essere durevolmente impermeabili contro pressioni interne ed esterne da 0 a 0,5 bar, che si possono verificare nelle interazioni con il loro ambiente.

A richiesta della Direzione dei Lavori, dovrà essere eseguita una prova di impermeabilità sulla giunzione, con le modalità di seguito indicate.

Prima, di iniziare la prova, si procederà a sigillare i due tubi estremi del tratto da esaminare. La tubazione verrà quindi riempita d'acqua avendo cura che non subisca spostamenti o sollevamenti, per il che, se necessario, si dovranno adottare idonei congegni di sicurezza, lasciando in ogni caso libere le giunzioni, in modo da poter individuare con facilità eventuali punti permeabili.

L'acqua sarà quindi sottoposta per 15 minuti alla pressione di 0,5 bar, che potrà essere indifferentemente controllata con un manometro o un piezometro. Se durante il tempo prescritto la pressione diminuisce, si deve aggiungere altra acqua, in modo da mantenere costantemente il valore iniziale; se tuttavia si notano punti permeabili, la prova deve essere interrotta per riparare i difetti, eventualmente mediante sostituzione dell'intero tubo che perde, e successivamente ripetuta durante altre 15 minuti.

### 2.2) Comportamento alle sollecitazioni meccaniche

#### 2.2.1) *Modifiche longitudinali dei tubi*

Le giunzioni devono consentire le modifiche longitudinali dei tubi, che si possono verificare durante

l'esercizio per effetto della temperatura dell'acqua secondo la tabella XIV (sollecitazioni continue) e con una temperatura esterna di - 10 °C, conservando la tenuta conformemente al punto 2.1.

#### 2.2.2) *Angolatura*

Le giunzioni dei tubi devono conservare la tenuta conformemente al punto 2.1., nel caso di una reciproca angolatura dei tubi secondo la tabella seguente, semprechè il tipo di giunzione consenta l'angolatura.

Qualora il tipo di giunzione non consenta l'angolatura (giunzione rigida), la tubazione nella posa deve ricevere una corrispondente inflessione, conservando la giunzione la tenuta conformemente al

punto 2.1.

RESISTENZA DEI GIUNTI ALLA ANGOLATURA DEI TUBI	
Diametro nominale "d" (mm)	Angolatura minima (cm per m di lunghezza)
d ≤ 200	<sup>3</sup> 5
200 ≤ d < 500	<sup>3</sup> 3
500 ≤ d < 1000	<sup>3</sup> 2
d ≥ 1000	<sup>3</sup> 1

### 2.2.3) *Spostamento ortogonale all'asse*

Le giunzioni devono conservare la tenuta conformemente al punto 2.1. sotto l'effetto di una forza di gravità con un valore numerico in Newton pari almeno a 10 volte il diametro nominale o con uno spostamento reciproco degli assi dei tubi di almeno 2 mm.

### 2.3) Posa

Le giunzioni elastiche devono poter essere messe in opera a temperature da - 10 °C a + 50 °C.

#### 2.3.1) *Esercizio*

Le giunzioni devono conservare la tenuta alle temperature indicate nella tabella seguente

RESISTENZA DEI GIUNTI ALLE SOLLECITAZIONI TERMICHE		
--	--	--

Tipo di tubazione	Temperatura dei liquami (°C)		Durata della prova (h)
	Sollecitazione al-ternata	Sollecitazione continua	
Condotti di allacciamento	15÷95	90	20
Condotti stradali con d < 400 mm		45	168
Condotti stradali con D <sup>3</sup> 400 mm e tutti i condotti per acque di pioggia		35	168

Per i condotti di allacciamento si esegue la-prova delle sollecitazioni alternate, costituite da 300 cicli da + 15 °C a + 95 °C nell'arco di 20 ore, e delle sollecitazioni continue a 90 °C per 20 ore. Per gli altri condotti si esegue solo la prova delle sollecitazioni continue per sette giorni alle temperature di 45 °C o 35 °C.

Al termine di queste prove, la tenuta della giunzione viene verificata conformemente al punto 2.1.

### 2.4) Comportamento all'attacco chimico

Le giunzioni a contatto con acque, suoli o gas aggressivi devono resistere all'attacco chimico senza compromettere la loro funzionalità.

---

La resistenza viene considerata accettabile se la giunzione, sottoposta all'attacco chimico per un periodo di almeno 7 giorni alla temperatura di almeno 35 °C, conserva la tenuta conformemente al punto 2.1.

In particolare si deve tener conto di:

- compatibilità dei componenti la miscela del materiale sigillante,
- reattività del materiale del tubo,
- perdita di componenti volatili del materiale sigillante,
- effetti dell'aria e dei gas di putrefazione sul materiale sigillante

## 2.5) Resistenza alle radici

Nelle canalizzazioni interrato le giunzioni devono resistere alla penetrazione delle radici.

### **1.1.13. GIUNZIONI PLASTICHE A FREDDO PER TUBI E PEZZI SPECIALI IN CALCESTRUZZO**

#### 1) Concetti generali

##### *1.1) Materiali sigillanti*

I materiali sigillanti sono costituiti da sostanze durevolmente plastiche, che contengono come leganti bitume, catrame di carbonfossile, materie plastiche o miscele di questi prodotti e sono lavorabili a temperature attorno ai 20 °C senza uso di sorgenti di calore. Tali sostanze vengono utilizzate come mastici spatolabili o come nastri.

##### *1.2) Vernici isolanti idrofughe*

Le vernici isolanti idrofughe sono soluzioni o dispersioni di bitume, catrame di carbon fossile, materie plastiche o miscele di questi prodotti e sono lavorabili a temperature attorno ai 20 °C senza uso di sorgenti di calore. Tali sostanze vengono utilizzate come mastici spatolabili o come nastri

#### 2) Prescrizioni di qualità

Vengono adottate e si intendono integralmente trascritte le prescrizioni specifiche DIN 4062 relative alle caratteristiche di resistenza alla pressione, rigonfiamento, invecchiamento, punto di rammollimento, stabilità dimensionale al calore, comportamento a freddo, resistenza alle radici, lavorabilità ed alle corrispondenti metodologie di prova.

I materiali sigillanti e le relative vernici isolanti idrofughe non devono contenere additivi che possano risultare nocivi alla salute degli operai addetti alla esecuzione dei giunti o danneggiare le acque freatiche sottostanti la fossa di posa delle tubazioni.

#### 3) Indicazioni di riconoscimento

Sull'imballaggio dei materiali sigillanti e delle relative vernici isolanti idrofughe, devono essere riportate in modo chiaro ed indelebile le seguenti indicazioni:

- nome o marchio del produttore
- anno di fabbricazione
- se il materiale sigillante e la relativa vernice contengono bitume o catrame

Ogni imballaggio deve contenere le istruzioni d'uso.

---

#### 4) Controlli e collaudo della fornitura

Per l'autocontrollo presso lo stabilimento di produzione, ai sensi dei precedenti articoli di Capitolato, ogni giorno dovranno essere eseguite almeno le prove su: punto di rammollimento, stabilità dimensionale al calore, comportamento a freddo e resistenza alle radici.

Quest'ultima prova può essere tralasciata se l'aggiunta dell'additivo tossico per le radici è affidata ad un responsabile, che certifica con documento scritto e firmato la quantità di additivo utilizzato, indicando inoltre data ed il numero della carica.

I controlli esterni a cura del produttore devono essere eseguiti almeno due volte all'anno per l'intera gamma delle prove indicate al punto 2.

#### 5) Prescrizioni sulla messa in opera

I materiali sigillanti e le vernici isolanti idrofughe devono essere immagazzinati in luogo secco, conformemente alle indicazioni del produttore, e protetti da inquinamenti e sfavorevoli influssi meteorologici.

Devono essere utilizzate solo le vernici indicate come idonee dal produttore del materiale sigillante. In particolare le sostanze contenenti catrame non possono essere messe in opera assieme alle sostanze contenenti bitume.

##### *5.1) Caratteristiche delle superfici di applicazione*

Le superfici di applicazione devono avere la stessa qualità del corpo del manufatto, a cui sono legate

in modo compatto e impermeabile. Esse devono essere asciutte, pulite e libere da sostanze con cui i materiali sigillanti e le vernici isolanti idrofughe siano incompatibili

##### *5.2) Realizzazione della giunzione*

In aggiunta alle seguenti prescrizioni, si devono applicare le istruzioni del fabbricante del materiale sigillante, da allegare ad ogni fornitura.

##### *5.2.1) Verniciatura preliminare*

Le superfici da sigillare devono, se prescritto dal fabbricante del materiale sigillante, essere preliminarmente trattate con la corrispondente vernice isolante idrofuga. Si può iniziare la messa in opera del materiale sigillante e la realizzazione della giunzione solo quando la vernice è asciutta.

Fino a questo momento, le superfici trattate devono essere protette da imbrattamenti.

##### *5.2.2) Messa in opera del materiale sigillante*

###### *5.2.2.1) Nastri*

La quantità del materiale sigillante necessaria dipende dalle dimensioni dello spazio del giunto.

Non si può comunque scendere sotto i valori indicati in tabella seguente.



**MATERIALI SIGILLANTI PLASTICI A FREDDO**

Diametro dei tubi circolari (mm)	Sezione minima dei nastri (mm <sup>2</sup> )	Dimensione dei tubi ovoidali (mm)	Sezione minima dei nastri (mm <sup>2</sup> )	Diam pezzi prefabb. per pozzi di discesa (mm)	Sezione minima dei nastri (mm <sup>2</sup> )
250	350	400x600	600	800	600
300	450	500x750	800	1000	600
400	500	600x900	1100	1200	600
500	600	700x1050	1300	1500	1200
600	800	800x1200	1450	2000	1200
700	1100	900x1350	1600	2500	1200
800	1300	1000x1500	1800		
900	1450	1200x1800	2000		
1000	1600				
1200	1800				
1400	2000				

Forme e dimensioni del nastro devono essere scelte in modo tale che, congiungendo le parti dei manufatti, almeno il 20% del materiale sigillante venga spinto nello spazio del giunto ancora aperto. Nei tubi la parte interna del giunto, particolarmente nell'ambito della suola, deve essere chiusa a raso dal materiale sigillante plastico. Nei manufatti verticali (ad es. pozzi di discesa nella fognatura), il materiale sigillante plastico deve essere applicato in modo tale che, dopo la realizzazione della giunzione, la fessura residua tra le parti possa essere sigillata internamente o esternamente con malta di cemento.

Prima dell'applicazione del nastro, si deve fare attenzione ad allontanare eventuali materiali antiadesivi. Il nastro deve essere applicato e fortemente compresso alle superfici da sigillare, osservando le istruzioni del fabbricante. Nel giunto le estremità del nastro devono essere tagliate obliquamente e saldamente incollate le une alle altre.

Qualora il fabbricante del nastro espressamente lo consenta nelle sue istruzioni, in tempo freddo il nastro può essere brevemente esposto ad una sorgente di calore, per facilitarne l'applicazione.

5.2.2.2) Mastici

I mastici devono essere applicati osservando le prescrizioni del fabbricante e con i volumi minimi indicati nella tabella seguente.

**MATERIALI SIGILLANTI PLASTICI A FREDDO**

Diametro dei tubi circolari (mm)	Volume minima del mastice (cm <sup>3</sup> )	Dimensione dei tubi ovoidali (mm)	Volume minima del mastice (cm <sup>3</sup> )	Diam. dei pezzi prefabb. per pozzi di discesa (mm)	Volume minima del mastice (cm <sup>3</sup> )
250	0.4	400x600	1.1	800	3.0
300	0.6	500x750	1.7	1000	3.5
400	0.8	600x900	2.7	1200	4.5

500	1.1	700x1050	3.7	1500	5.5
600	1.7	800x1200	4.5	2000	7.5
700	2.7	900x1350	5.5	2500	10.0
800	3.7	1000x1500	7.5		
900	4.5	1200x1800	11.		
1000	5.5				
1200	7.5				
1400	9.0				

Nei tubi la quantità del mastice deve essere scelta in modo tale che dopo l'unione dei pezzi il giunto sia completamente riempito ed il mastice formi un cordone lungo tutta la circonferenza, esternamente ed internamente. Nei manufatti verticali il mastice deve formare un cordone lungo la circonferenza solo da una parte, per consentire di completare la sigillatura dell'altra parte in modo rigido con malta di cemento, come indicato al punto 5.2.2.1.

### 5-3) Congiunzione dei tubi e pezzi speciali

Per la congiunzione dei tubi o altri pezzi speciali orizzontali si deve usare un dispositivo di trazione e di pressione.

I dispositivi di trazione devono essere appoggiati contro il primo tubo, quelli di pressione su fondamenta ausiliarie.

La pressione di contatto deve essere scelta in modo tale da realizzare le condizioni indicate al punto 5.2.2.

Si deve fare attenzione che la forza della pressione agisca in direzione assiale.

Per la congiunzione dei pezzi speciali verticali, per lo più è sufficiente la forza di pressione generata dal peso proprio dei pezzi messi a contatto.

In caso contrario, si può ricorrere a pesi aggiuntivi applicati temporaneamente.

Si deve allora fare attenzione che il peso riportato sia centrale e non danneggi i manufatti.

Inoltre mediante adatti distanziatori, si deve provvedere a conservare una fessura con larghezza <sup>3</sup>10 mm, per assicurare spazio sufficiente alla sigillatura con malta di cemento ed impedire un'eccessiva fuoriuscita del materiale sigillante dal giunto.

Il materiale sigillante pressato deve essere, con un adatto attrezzo, asportato a raso della superficie esterna o interna dei manufatti. Esso non può essere riutilizzato.

## 1.1.14. GIUNZIONI PLASTICHE A CALDO

Vengono realizzate in opera, per la sigillatura di condotti con giunti a bicchiere, mediante corda di canapa catramata e mastice bituminoso versato a caldo.

### a) Prodotti specifici

La corda catramata da impiegare per la sigillatura dei giunti dovrà essere uniformemente imbevuta e sufficientemente secca, in modo che 500 g della stessa, sottoposti per 5 minuti ad un carico di 300 Kg, non lascino uscire, alla temperatura di 35 °C, nemmeno una goccia della sostanza di imbibizione.

Con la dizione "mastice bituminoso" sono qui indicati dei particolari prodotti ottenuti mescolando ad una base di bitume, pece di catrame di carbonfossile, o altre simili sostanze plastiche, dei materiali riempitivi insolubili in acqua.

---

Tali prodotti debbono avere un punto di rammollimento di almeno 70 °C, non infragilirsi, ma rimanere ancora sufficientemente tenaci e resistenti ai colpi, alla temperatura di 0 °C, e presentare un punto di fusibilità inferiore a 180 °C.

La prima prova sarà eseguita con il metodo dell'anello e della palla; la seconda consisterà nell'accertare

che almeno due palle su tre, formate con 50 g di prodotto e lasciate cadere da un'altezza di 3 m alla temperatura di 0 °C, non abbiano ne a scoppiare, ne a fessurarsi; per la terza verrà utilizzato un viscosimetro da catrame con ugello da 7 mm di diametro, dal quale, alla temperatura prescritta, dovranno uscire 50 cmc di prodotto in meno di 25 secondi.

I prodotti impiegati nella fabbricazione dei mastici bituminosi, forma la corrispondenza di quest'ultimi alle prestazioni di cui sopra, non dovranno avere effetti tossici sugli operai addetti all'esecuzione della giunzione o sulle acque freatiche circostanti.

In particolare è proibito utilizzare fenoli volatili come additivi per impedire la penetrazione delle radici.

#### b) Modalità esecutive

Per la realizzazione delle giunzioni plastiche a caldo, si dovrà operare su tubi perfettamente puliti ed asciutti.

Provveduto all'accurata pulizia delle estremità da collegare, queste verranno anzitutto verniciate con il mastice da impiegare nella giunzione e si inizierà la posa solo allorchè la vernice sera ben secca.

L'operazione potrà anche essere eseguita fuori dalla trincea; in questo caso, si avrà cura, nel calare il tubo, di non danneggiare il rivestimento e se ne ripeterà, prima della posa, la pulizia.

Effettuato l'infilaggio del tubo, la canapa verrà ben compressa a stecca e mazzuolo fino a riempire il bicchiere, se del caso con aggiunta e zeppaggio di altri giri del materiale, per 1/3 della sua profondità.

Dopo la posa di un tratto di condotto, si provvederà a rettificarne la posizione planimetrica ed altimetrica ed a bloccarlo nella esatta giacitura e livellata.

Si provvederà quindi alla posa dell'apposito anello per la chiusura dello spazio cavo del bicchiere rimasto libero, curando che in alto, ma con leggera asimmetria rispetto alla generatrice superiore, sia lasciata un'apertura da 5 a 10 cm di larghezza; gli anelli dovranno avere, per ciascun tipo di tubo, la corrispondente forma, lunghezza e spessore; essi verranno bloccati, rendendo nel contempo impermeabile la cavità, mediante un cuscinetto in argilla.

Questa dovrà essere pulita, plastica e possedere buone caratteristiche di aderenza; si provvederà a bagnarla in un adatto contenitore e a lavorarla con continuità, in modo da formare una massa malleabile.

Il mastice deve essere fuso con cura in un idoneo crogiuolo e portato alla temperatura prescritta dal fabbricante, comunque non superiore ai 180 °C, da mantenere costante e continuamente controllata con un termometro.

Esso sarà frequentemente mescolato, soprattutto prima di versarlo nel giunto, in modo che le sostanze di riempimento si ripartiscano uniformemente nella massa.

Installato l'anello di colatura, il materiale verrà travasato con un cucchiaio in un apposito secchiello preriscaldato, munito di becco per il corretto versamento nel giunto.

La colatura verrà eseguita nel lato più basso della cavità predisposta, si da consentire all'aria di uscire dall'alto, al vertice del tubo, verrà versato a più riprese altro materiale, finchè il livello non si abbasserà più.

Il contenuto del secchiello che non venga subito riutilizzato deve essere versato nel cangiolo.

Eventuali residui di quest'ultimo dovranno essere rimossi prima di ogni nuovo riempimento.

---

Eseguite le giunzioni, i tubi dovranno essere protetti da scosse sino a completo irrigidimento del materiale colato, e gli anelli non dovranno essere levati anzitempo.

## **1.2. MODO DI ESECUZIONE OPERE CIVILI**

### **1.3. NORME GENERALI DI ESECUZIONE**

#### **1.3.1. OPERE PROVVISORIALI - MACCHINARI E MEZZI D'OPERA**

Tutte le opere provvisorie occorrenti per l'esecuzione dei lavori, quali ponteggi, impalcature, armature, centinature, casseri, puntellature, ecc. dovranno essere progettate e realizzate in modo da garantire le migliori condizioni di stabilità, sia delle stesse, che delle opere ad esse relative.

Inoltre, ove le opere provvisorie dovessero risultare particolarmente impegnative, l'Impresa dovrà predisporre apposito progetto esecutivo, accompagnato da calcoli statici, da sottoporre alla preventiva approvazione della D.L.

Resta stabilito comunque che l'Impresa resta unica responsabile degli eventuali danni ai lavori, alle case, alle proprietà ed alle persone, che potessero derivare dalla mancanza o dalla imperfetta esecuzione di dette opere.

Tali considerazioni si ritengono estese anche ai macchinari e mezzi d'opera.

Per i relativi oneri si richiama quanto stabilito all'art. "oneri ed obblighi diversi a carico dell'impresa" del presente Capitolato.

#### **1.3.2. INDAGINI E RILIEVI GEOGNOSTICI**

L'Impresa, prima dell'esecuzione dei lavori, dovrà provvedere ad eseguire o a far eseguire a propria cura e spese tutte le indagini ed i rilievi geognostici che la D.L. riterrà necessari ed opportuni al fine di determinare con la dovuta approssimazione la natura e le caratteristiche del terreno di impianto, nonché la presenza di eventuali discontinuità ed i livelli d'acqua.

Le indagini ed i rilievi, eseguiti secondo le raccomandazioni AGI, saranno sviluppati con ampiezza diversa, a seconda delle caratteristiche strutturali e delle dimensioni dei singoli manufatti, dei carichi da questi esercitati e della consistenza dei terreni di fondazione, con le tecniche di indagine che saranno specificate od autorizzate dalla D.L.

Ad indagini, prove e rilievi ultimati, l'Impresa sarà tenuta a presentare alla D.L. una esauriente relazione, corredata da grafici e moduli riepilogativi, al fine di fornire un quadro sufficientemente chiaro di tutte le caratteristiche generali e particolari del terreno di impianto e di tutte le condizioni che possono influire sul dimensionamento e sulla stabilità delle fondazioni.

La relazione sarà firmata da un geologo regolarmente iscritto all'Albo professionale.

#### **1.3.3. AZIONI E CARICHI SULLE COSTRUZIONI**

Il progetto strutturale delle opere oggetto del presente appalto dovrà essere condotto tenendo conto delle azioni principali e delle azioni complementari che potranno influire sulle stesse nonché delle azioni sismiche determinate dal grado di sismicità attribuito dalla normativa vigente alla località dove le opere verranno eseguite.

Per le azioni sulle costruzioni si dovrà fare riferimento al DM 17.01.2018.

---

Per quanto non in contrasto con altre specifiche Norme Tecniche in vigore e ove non previste in progetto o prescritte dalla D.L. condizioni più vincolanti, dovranno ritenersi valide le ipotesi di carico riportate nel D.M. 18 Gennaio 2018 e le azioni sismiche riportate nelle stesse Norme Tecniche.

#### **1.3.4. DISPOSIZIONI COMUNI A TUTTI I LAVORI**

All'atto della consegna dei lavori l'Impresa, sulla base del progetto delle opere in generale e delle strutture in particolare, nonché degli eventuali dettagli costruttivi forniti dalla D.L., dovrà esaminare e valutare, in tutti gli aspetti, i metodi ed i procedimenti costruttivi particolari prescritti nel presente Capitolato.

L'Impresa dovrà provvedere a verificare la stabilità e la efficienza di tutte le opere e strutture, dei procedimenti provvisori, degli scavi lineari od armati, delle strutture di sostegno rigide e flessibili,

dei rilevati ed argini, degli effetti di falda, ecc. e ciò anche nei riguardi dei manufatti già esistenti in prossimità delle opere in costruzione.

Ogni titolo di lavoro sarà accettato soltanto se eseguito ed ultimato in ogni sua parte a perfetta regola d'arte, in conformità dei disegni di progetto e delle prescrizioni del presente Capitolato, e ciò anche nel caso che nelle stesse possano riscontrarsi mancanze od omissioni.

E' facoltà della D.L. ordinare (a totale cura e spese dell'Impresa) o eseguire d'ufficio (non prestandosi l'Impresa) il rifacimento dei lavori eseguiti in difformità dalle prescrizioni contrattuali o dalle disposizioni della D.L.

Nel caso che il rifacimento o la rimozione di tali lavori comporta demolizioni o degni di altri lavori, eseguiti dall'Impresa o da altre Ditte, ciò non costituisce titolo per evitare tali rifacimenti o rimozioni, né per chiedere compensi per il risarcimento dei lavori propri od altrui forzatamente demoliti o rimossi.

L'Impresa ha l'onere e la responsabilità della corretta esecuzione dei lavori, in relazione ai disegni di progetto e alle disposizioni impartite dalla D.L.

Eventuali difformità o disuguaglianze, che si riscontrino durante l'esecuzione delle opere scorporate, e che possano comportare aggravii negli oneri che fanno capo alle varie Ditte, devono essere tempestivamente rettificati dall'Impresa, a tutte sue cure e spese.

Resta espressamente stabilito che, nel caso di discordanza fra disegni di contratto e disposizioni di Capitolato, tale da comportare oneri fra loro diversi, l'Impresa dovrà eseguire il lavoro in conformità delle prescrizioni più vantaggiose per l'Amministrazione, senza che ciò possa dare adito a richiesta di particolari compensi.

Resta infine convenuto che nella esecuzione delle categorie di lavoro per le quali nel presente Capitolato risultino mancanti le modalità costruttive corrispondenti, per quanto possibile si farà riferimento agli articoli di pertinenza del Capitolato Speciale tipo per lavori edilizi, ultima edizione, predisposto dal Servizio Tecnico Centrale del Ministero dei LL.PP., ovvero si lascerà libera l'Impresa di scegliere i metodi ed i procedimenti costruttivi che riterrà più opportuni, previa approvazione della D.L., che deciderà in via definitiva dopo avere esaminate le proposte e la documentazione presentatagli.

---

## **1.4. NORME PARTICOLARI DI ESECUZIONE DI ALCUNE CATEGORIE DI LAVORO**

### **1.4.1. TRACCIAMENTI**

L'Impresa è obbligata ad eseguire a proprie spese, in base ai disegni di progetto, ai capisaldi ed ai riferimenti che le verranno forniti dalla D.L. in sede di consegna dei lavori, il tracciamento dettagliato

delle opere, materializzando sul terreno nei modi più opportuni gli assi longitudinali, i vertici delle strutture e l'esatta ubicazione dei manufatti.

Nel caso che a giudizio della D.L. ciò tornasse utile nell'interesse del lavoro, il tracciamento, rilievo e definizione di alcuni tracciati delle opere, potrà essere ripetuto per migliorarne i risultati, senza che l'Impresa possa chiedere in nessun caso particolari compensi.

Per qualunque alterazione o variazione arbitraria od erronea nei tracciamenti, l'Impresa dovrà provvedere alla correzione, demolendo e ricostruendo a tutte sue spese i lavori irregolarmente eseguiti a causa di tali variazioni o errori.

Eventuali verifiche dei tracciamenti effettuate dalla D.L. non sollevano l'Impresa dalle responsabilità e dagli obblighi sopra accennati in qualunque momento si riscontrassero errori.

### **1.4.2. DEMOLIZIONI E RIMOZIONI**

Tutte le demolizioni di murature, calcestruzzi, ecc., sia in rottura che parziali o complete e le rimozioni

dovranno essere eseguite con ordine e con le necessarie precauzioni in modo da non recare danno alle contigue strutture, residue murature, agli edifici e ai macchinari adiacenti o sottostanti e da prevenire qualsiasi infortunio o danno agli addetti al lavoro e al personale della Amministrazione operante nel luogo.

Ferma restando l'esclusione da ogni responsabilità connessa all'esecuzione dei lavori di che trattasi dell'Amministrazione e del personale tutto di Direzione e di sorveglianza, della quale l'Impresa rimane unico garante, i lavori verranno eseguiti secondo la tecnica, le opere provvisoriale, i mezzi d'opera, i macchinari e l'impiego del personale che l'Impresa riterrà più idonei. In ogni caso dovranno essere integralmente osservate tutte le disposizioni vigenti emanate dall'ENPI dall'ISPESL e dagli Enti competenti in materia di igiene, polizia urbana, ecc. e ciò anche per quanta riguarda i trasporti dei materiali dal luogo della demolizione alle discariche o ai magazzini.

Prima dell'inizio dei lavori l'Impresa dovrà accertare con ogni cura la natura, lo stato ed il sistema costruttivo delle opere da demolire, disfare o rimuovere al fine da affrontare con tempestività ed adeguatezza di mezzi ogni evenienza che possa comunque presentarsi e dovrà provvedere ad intercettare e ad interrompere tutte le eventuali erogazioni di energia, gas acqua, nonché gli attacchi e gli sbocchi di qualunque genere; dovranno altresì essere vuotati tubi e serbatoi La zona dei lavori dovrà essere opportunamente delimitata ed i passaggi ben individuati ed idoneamente protetti; analoghe protezioni saranno adottate per tutte le zone, interne ed esterne al cantiere, che possano, comunque, essere interessate da caduta di materiali.

### **1.4.3. SCAVI**

a) Scavi in genere

Gli scavi in genere, eseguiti a mano o con mezzi meccanici, dovranno corrispondere ai disegni di progetto e alle particolari prescrizioni impartite all'atto esecutivo della D.L.

---

Le superfici di scavo verticali, orizzontali od inclinate, dovranno essere accuratamente spianate, con intervento di mano d'opera manuale, sia per le rifiniture che per l'esecuzione delle parti di scavo ove tale intervento sia necessario.

Gli scavi saranno eseguiti su terreno di qualsiasi natura e consistenza, anche bagnato o in presenza di acqua, ove occorra saranno preceduti da sgomberi superficiali, dall'abbattimento e dallo sgombero di alberi ed arbusti e dalla estirpazione di radici e ceppaie, nonché dalla demolizione di residui di manufatti presenti in superficie o rinvenuti nel terreno, senza che all'Impresa competano particolari compensi oltre quelli stabiliti nei prezzi di elenco per gli scavi.

Qualora, nella esecuzione degli scavi o in attesa della esecuzione delle opere previste entro gli scavi stessi, per la natura del terreno, per il genere di lavoro e per qualsiasi altro motivo, si rendesse necessario puntellare, sbadacchiare od armare le pareti degli scavi, l'Impresa vi dovrà provvedere di propria iniziativa e a sue spese, adottando tutte le precauzioni necessarie per impedire smottamenti e franamenti, per garantire l'incolumità degli addetti ai lavori e per evitare danni alle proprietà confinanti e alle persone.

L'Impresa provvederà allo scopo secondo norme e necessità, impiegando i mezzi più idonei e nel modo che riterrà migliore essendo qui espressamente stabilito che l'Impresa sarà ritenuta in ogni caso unica responsabile di eventuali danni alle persone e alle cose e di tutte le conseguenze di ogni genere che derivassero dalla mancanza, dalla insufficienza o dalla poca solidità delle opere provvisorie adottate, dagli attrezzi adoperati e dalla poca diligenza nel sorvegliare gli operai, nonché alla inosservanza delle disposizioni vigenti in materia sui lavori pubblici e sulla polizia stradale.

L'Impresa inoltre resta obbligata a provvedere a sua cura e spese alla manutenzione degli scavi, allo sgombero dei materiali franati o comunque caduti negli stessi e al conseguente ripristino delle sezioni e ciò indipendentemente dal tempo trascorso fra l'apertura degli scavi e il loro rinterro.

Con il provvedere dei lavori l'Impresa potrà recuperare i legnami costituenti le armature; quelli, però, che a giudizio della D.L. non potranno essere tolti senza che ciò costituisca alcun titolo per la richiesta di speciali compensi.

Nell'esecuzione di tutti gli scavi l'Impresa dovrà provvedere di propria iniziativa e a sue spese affinché

le acque scorrenti alla superficie del terreno siano deviate e non si riversino negli scavi e a tale scopo provvederà a togliere ogni impedimento al regolare deflusso delle acque superficiali ricorrendo anche, ove necessario, all'apertura di fossi di guardia e di canali fagatori.

Inoltre, tanto durante le operazioni di scavo, quanta durante l'esecuzione dei lavori all'interno degli scavi stessi, l'Impresa dovrà provvedere, a sua cura e spese, ad assicurare il regolare ed immediato smaltimento delle acque di infiltrazione che eventualmente scaturissero dal fondo e dalle pareti dello scavo, procedendo, ove possibile da valle verso monte, in modo da favorire lo scolo naturale, ovvero ricorrendo all'esaurimento ed aggotamento delle acque con i mezzi più opportuni, nel numero e delle portate sufficienti a mantenere costantemente asciutto il fondo dello scavo.

Di ogni onere relativo e quindi del relativo compenso e stato tenuto conto nella formazione dei prezzi di elenco per gli scavi.

---

Saranno considerati scavi subacquei, e come tali valutati e compensati secondo la relativa voce di elenco tutti gli scavi eseguiti in presenza di acqua di falda, limitatamente alla sola parte eseguita al di sotto della quota alla quale si stabilizzano le acque stesse.

Le materie provenienti dagli scavi in genere, se non utilizzabili o non ritenute idonee, a giudizio insindacabile della D.L., per l'esecuzione di tombamenti, rinterrì o per la formazione di rilevati o per altro impiego nei lavori, dovranno essere allontanate dal cantiere e portate a rifiuto a cura e spese dell'Impresa, alle pubbliche discariche ovvero su aree da procurarsi a cura e spese dell'Impresa.

Qualora le materie provenienti dagli scavi dovessero essere utilizzate in tempo differito per tombamenti, rinterrì o per la formazione di rilevati, esse saranno eventualmente depositate in prossimità degli scavi o all'interno del cantiere, in luogo adatto, accettato dalla D.L. ed in modo tale da non ostacolare lo svolgimento dei lavori, anche di altre Imprese, per poi essere riprese a tempo opportuno.

In nessun caso le materie depositate dovranno riuscire di danno alle proprietà pubbliche o private confinanti, provocare frane, ostacolare il libero deflusso delle acque superficiali od intralciare il traffico delle strade pubbliche o private. La D.L. si riserva di fare allontanare immediatamente a spese dell'Impresa le materie depositate in contravvenzione alle precedenti disposizioni.

Qualora l'Impresa, per proprio esclusivo comodo od interesse, ivi compresa la necessità di disporre di spazio libero all'interno del cantiere, decida di portare a rifiuto materie che potrebbero essere riutilizzate, dovrà successivamente provvedere a rifornirsi di materie altrettanto idonee, senza che ciò costituisca alcun titolo per la richiesta di speciali compensi oltre al pagamento degli scavi con i relativi prezzi di elenco.

Durante l'esecuzione degli scavi che interferiscono con canalizzazioni esistenti, L'Impresa, senza diritto a particolari compensi, dovrà adottare tutte le precauzioni e le disposizioni necessarie a garantire la perfetta funzionalità ed efficienza delle canalizzazioni, secondo le richieste delle Amministrazioni interessate.

Analogamente, durante l'esecuzione degli scavi lungo le strade di ogni genere e categoria e per tutto il tempo in cui questi restano aperti, l'Impresa dovrà provvedere, di propria iniziativa e a sue spese, ad adottare ogni disposizione e precauzione necessaria per garantire la libertà e la sicurezza del transito dei pedoni, degli animali e dei veicoli, restando in ogni caso unica responsabile di eventuali danni alle persone e alle case e di tutte le conseguenze di ogni genere che derivassero dalla mancanza o dalla insufficienza delle precauzioni adottate.

#### b) Scavi di sbancamento

Per scavi di sbancamento o sterri andanti si intenderanno quelli occorrenti per lo spianamento o sistemazione del terreno, per tagli di terrapieni, per la formazione di piani di appoggio di platee di fondazione, vespai e rampe incassate, per l'apertura della sede stradale, compresi cassonetto e banchine laterali, per la formazione di vasche, per l'impianto di opere d'arte, se ricadenti al di sopra del piano orizzontale passante per punto più depresso del terreno naturale o per il punto più depresso delle trincee o splateamenti precedentemente eseguiti ed aperti da almeno un lato e per l'apertura o l'approfondimento di canali e fossi di sezione non inferiore a due metri quadrati.



---

In generale saranno comunque considerati scavi di sbancamento tutti i tagli a larga sezione che, pur non rientrando nelle precedenti casistiche e definizioni, siano sufficientemente ampi da consentire l'accesso con rampa ai mezzi meccanici di scavo, nonché a quelli di caricamento e trasporto di materie.

La profondità e la configurazione degli scavi dovranno corrispondere esattamente ai disegni di progetto e alle particolari prescrizioni impartite all'atto esecutivo dalla D.L.

Sia in fase di esecuzione che a lavori ultimati e fino a collaudo l'Impresa dovrà curare la perfetta sagomatura e spianatura del fondo e dalle scarpate e la perfetta profilatura dei cigli, provvedendo a proprie spese ai tagli, alle riprese e alle sistemazioni delle scarpate e delle banchine ed agli espurghi che si rendessero necessari.

Per far luogo all'eventuale rivestimento dei fossi e dei canali, l'Impresa dovrà curare a proprie spese che, sia durante le operazioni di scavo che durante il getto dei rivestimenti, gli scavi siano mantenuti all'asciutto e liberi da vegetazione di qualsiasi natura e dimensione l'uso di eventuali idonei diserbanti chimici dovrà essere autorizzato dalla D.L. ed in quanta effettuato per comodità dell'Impresa sarà a suo totale carico.

c) Scavi di fondazione

Per scavi di fondazione si intenderanno quelli incassati e a sezione obbligata ristretta occorrenti per far luogo a fondazioni, fognature, canalizzazioni, ecc., per l'apertura o l'approfondimento di fossi, canali, cunette di sezione inferiore a due metri quadrati, ed in generale tutti gli scavi chiusi da pareti, di norma verticali, effettuati al di sotto del piano di sbancamento o, in mancanza, al di sotto del piano orizzontale convenzionale corrispondente alla quota più depressa del terreno naturale entro il perimetro dello scavo.

Tale piano sarà determinato, a giudizio della D.L., o per l'intera area dello scavo, o per parti in cui questa può essere suddivisa, a seconda sia delle accidentalità del terreno sia delle quote dei piani finiti di fondazione.

Qualunque sia la natura e la qualità del terreno interessato, gli scavi verranno spinti alla profondità ritenuta necessaria ed ordinata dalla D.L. all'atto della loro esecuzione.

Le profondità che si trovano indicate nei disegni di consegna sono, perciò di semplice avviso e l'Amministrazione, tramite la piena facoltà di variarle, nella misura che riterrà necessaria, senza che ciò possa dare all'Impresa motivo alcuno di fare eccezioni o domande di speciali compensi, avendo essa diritto al pagamento del lavoro eseguito con i prezzi contrattuali stabiliti per le varie profondità da raggiungere.

I piani di fondazione dovranno essere accuratamente spianati, generalmente orizzontati o disposti a gradoni o con leggera contro pendenza, secondo le disposizioni della D.L., si riserva piena facoltà di variarle, nella misura che riterrà necessaria, senza che ciò possa dare all'Impresa motivo alcuno di fare eccezioni o domande di speciali compensi, avendo essa diritto al pagamento del lavoro eseguito con i prezzi contrattuali stabiliti per le varie profondità da raggiungere.

E vietato all'Impresa, sotto pena di demolire il già fatto, di porre mano alle murature o ai getti prima

---

che la D.L. abbia verificato ed accettato i piani delle fondazioni.

Ove ragioni speciali non lo vietino, se l'Impresa lo ritenesse di sua convenienza, gli scavi potranno essere eseguiti anche con pareti a scarpa, o a sezione più larga, ma in tale caso non sarà pagato il maggiore scavo eseguito di conseguenza.

L'Impresa, anzi, dovrà successivamente provvedere, a sua cura e spese, al riempimento e al costipamento, con le stesse materie scavate, dei vani rimasti intorno e sopra alle opere murarie, sino al piano del terreno naturale primitivo ed al ripristino, con gli stessi oneri, delle maggiori quantità di pavimentazione divelte, ove lo scavo dovesse interessare strade pavimentate.

Nel caso che, a giudizio della D.L., le condizioni nelle quali i lavori si svolgono lo richiedano, l'Impresa è tenuta a coordinare opportunamente la successione e l'esecuzione delle opere di scavo e di fondazione, essendo gli oneri relativi compensati nei prezzi contrattuali.

d) Scavi per la posa in opera cavi elettrici

Nell'esecuzione degli scavi per la posa dei cavi dovrà essere rigorosamente rispettato l'andamento piano-altimetrico previsto in progetto ovvero stabilito all'atto esecutivo dalla Direzione Lavori.

Le quote di fondo degli scavi dovranno corrispondere a quelle prescritte: esse dovranno comunque consentire un'altezza di ricoprimento sulla generatrice superiore dei cavi non inferiore a m 1,00; alla D.L. è riservata peraltro la facoltà insindacabile di disporre - all'atto esecutivo - qualsiasi variante, con aumento o diminuzione delle profondità predette senza che l'Impresa possa trarne motivo per avanzare richiesta di compensi speciali o di prezzi diversi da quelli riportati in elenco.

Il fondo degli scavi aperti per il collocamento in opera dei cavi dovrà essere ben spianato: non saranno tollerate sporgenze o infossature superiori ai cm 3 dal piano delle livellette indicate nel profilo longitudinale.

Le pareti degli scavi non dovranno presentare blocchi sporgenti o massi pericolanti che, in ogni caso, dovranno essere tempestivamente abbattuti o sgombrati a cura e spese dell'Impresa.

Per tutto il tempo in cui le sezioni dovranno rimanere aperte, saranno ad esclusivo carico dell'Impresa tutti gli oneri per eventuali armature, esaurimenti di acqua, sgombero del materiale e la perfetta manutenzione dello scavo, indipendentemente dal tempo trascorso dall'apertura dello stesso e dagli eventi meteorici verificatesi, ancorché eccezionali.

L'avanzamento degli scavi dovrà essere adeguato all'effettivo avanzamento della posa in opera dei cavi. Le eventuali discontinuità nel ritmo della posa in opera non potranno in alcun caso dare titolo all'Impresa per richiedere compensi di sorta oltre quelli previsti in Capitolato o per variare l'avanzamento del proprio lavoro in maniera non adeguata a quella della fornitura dei cavi.

Pertanto, gli scavi per cavidotti potranno essere sospesi a giudizio insindacabile della D.L., qualora le lavorazioni già iniziate non vengano sollecitamente completate, compreso il rinterro.

Per il riempimento delle trincee si adopereranno di massima i materiali provenienti dagli scavi, ove riconosciuti idonei dalla D.L. Il rinterro dovrà essere iniziato adoperando per il primo strato, fino ad un'altezza di ricoprimento di 30 cm sulla generatrice superiore dei cavi, materiali minuti sciolti e di

---

preferenza aridi, con esclusione di ciottoli, pietre e scapoli di roccia di dimensioni maggiori di 5 cm, erba, frasche, ecc.

Il rinterro sarà effettuato in strati con l'onere dell'adeguata posa dei cavi. Il riempimento successivo sarà eseguito fino a superare il piano di campagna con un colmo di altezza sufficiente a compensare gli assestamenti che potranno aversi successivamente.

L'Impresa resta sempre unica responsabile dei danni e delle avarie comunque prodotti ai cavi in dipendenza del modo con cui si esegue il rinterro.

Nel caso che i materiali provenienti dagli scavi non risultassero, a insindacabile giudizio della D.L., idonei per il rinterro, l'Impresa avrà l'obbligo di sostituirli, in tutto o in parte con altri accettati dalla D.L. e provenienti da cave di prestito a qualsiasi distanza.

Qualora lungo le strade di ogni genere e categorie, sia durante l'esecuzione dei lavori per l'apertura della fossa di scavo, sia per tutto il tempo in cui questa resta aperta, non fosse possibile, a giudizio insindacabile della D.L. depositare lateralmente alla trincea le materie di scavo, queste dovranno essere trasportate in luoghi più adatti, donde saranno riprese per i riempimenti, senza che per ciò possa competere all' Impresa altro compenso all'infuori dei prezzi stabiliti in elenco per gli scavi.

#### **1.4.4. CARATTERISTICHE E RIPARAZIONE DEL PIANO DI POSA DEI RILEVATI**

##### **Piano di posa**

Il piano di posa dei rilevati dovrà essere adeguatamente preparato, procedendo anzitutto all'abbattimento di alberi, siepi e cespugli e all'estirpazione delle radici e quindi all'asportazione del terreno vegetale per tutta la superficie e per la profondità fissata nel progetto o stabilita dalla D.L. in corso d'opera.

Ai fini dell'accertamento dell'idoneità del terreno sottostante a sopportare il peso del rilevato senza eccessivi cedimenti o rifluimenti, l'Impresa dovrà preventivamente provvedere, a sua cura e spese, a far eseguire, presso i laboratori ufficiali, tutte le terminazioni necessarie alla caratterizzazione del terreno secondo le norme CNR-LNI 10006-63.

In presenza di terreni torbosi si dovrà provvedere alla sostituzione del terreno in sito con altro di tipo sabbioso e ghiaioso, per uno spessore tale da garantire una sufficiente ripartizione del carico, secondo le disposizione della D.L.

L'Impresa avrà cura di garantire l'immediato e continuo smaltimento delle acque dagli scavi.

Il terreno proveniente dagli scavi suddetti dovrà essere trasportato a rifiuto a cura e spese dell'Impresa, ad eccezione della terra vegetata, il quale verrà accatastata in zone di deposito all'uopo predisposte a cura e spese dell'Impresa ed in modo tale da non ostacolare lo smaltimento delle acque, e qui disponibile per un successivo impiego.

Successivamente, ed indipendentemente dai controlli che verranno eseguiti dalla D.L., l'Impresa dovrà provvedere a sua cura e spese all'esecuzione delle seguenti prove:

1- classificazione CNR UNI 10006;

- 
- 2- determinazione del rapporto percentuale tra la densità del secco in sito e quella massima relativa alla prova AASHO Mod.;
  - 3- determinazione dell'umidità in sito;
  - 4- determinazione dell'altezza massima delle acque sotterranee;
  - 5- indice di portanza CBR del terreno.

Quando il piano di posa dei rilevati (sottofondo) appartiene ai gruppi A 1 A2 A3 (CNR UNI 10006), si dovrà provvedere al costipamento del terreno con adatto macchinario fino a raggiungere per almeno 30 cm. di profondità, un grado di costipamento pari al 90% delta densità massima relativa alla prova AASHO Mod.

Per sottofondi appartenenti ai gruppi A4 A5 A6 A7, si dovrà provvedere alla stabilizzazione del terreno, sostituendo 30 cm circa di terreno naturale con altro appartenente ai gruppi AI A3 (CNR UNI 10006), costipato fino a raggiungere il 90% delta densità massima relativa alla prova AASHO Mod,

In ogni caso lo strato finale di sottofondo sul quale impostare il rilevato dovrà avere un modulo di deformazione "Md"  $\geq 150$  kg/cm<sup>2</sup> nell'intervallo di carico compreso tra 0.5 e 1.5 kg/cm<sup>2</sup>.

#### **Strati intermedi terreno naturale-rilevato**

In relazione a locali caratteristiche idrogeologiche e geomeccaniche ed in genere allo scopo di migliorare le caratteristiche del piano di posa del rilevato, la D.L. potrà richiedere:

- 1 interporre tra lo strato naturale di sottofondo e il riporto un telo di geotessile (tessuto non tessuto) sovrapposto ai bordi per circa cm 30. Il tessuto non tessuto dovrà essere di poliestere a filo continuo secondo le caratteristiche di cui all'articolo apposito del presente capitolato, inoltre dovrà essere resistente all'invecchiamento ed imputrescibile, stabile ai solventi ed alle reazioni chimiche inattaccabile dai roditori di peso tra 300 e 400 g/m<sup>2</sup> con resistenza a punzonatura  $\geq 15$  kg, resistenza a trazione 110 kg/8cm in senso longitudinale con allungamento tra il 30 ed il 70%
- 2 in presenza di condizioni idrauliche particolarmente sfavorevoli si dovrà provvedere ad opportune opere di drenaggio, secondo le disposizioni impartite dalla D.L. Tali opere saranno valutate a parte e compensate con le relative voci di Elenco.
- 3 qualora la D.L. lo ritenga necessario e lo ordini, sul piano di posa dovrà essere steso e compattato un idoneo diaframma anticapillare in misto granulare di fiume o di cava, pulito ed esente da materiali eterogenei e terrosi, della granulometria e dello spessore che saranno stabiliti dalla D.L. medesima e comunque per uno spessore compreso tra 0.3 e 0.5 metri con inerti con granulometria assortita da 2 mm a 50 mm con passante al vaglio da mm 2  $\leq$  al 15% in peso e passante a mm 0.075  $<$  al 3%.

Inoltre, qualora i rilevati da costruire risultino addossati a declivi con pendenza trasversale superiore al 15% la costruzione del rilevato dovrà essere preceduta, oltre che dalle operazioni di cui sopra, anche da una gradonatura del pendio, da eseguirsi in contro pendenza e secondo le disposizioni impartite dalla D.L. Tale lavoro sarà valutato a parte e compensato con il relativo prezzo di Elenco.

#### **1.4.5. RILEVATI E CORPI ARGINALI**

##### **Costruzione dei rilevati**

---

Prima di dare inizio alla costruzione dei rilevati, l'Impresa procederà al loro accurato tracciamento, installando picchetti e modine che indichino i limiti del terrapieno in relazione alle scarpate e alle larghezze in sommità previste in progetto o prescritte dalla D.L.

I rilevati saranno costituiti da terre idonee, accuratamente scelte, con esclusione soprattutto di terre contenenti humus, radici, erbe e materie organiche. Le terre verranno caratterizzate secondo le norme CNR - UNI 10006 - 63 art. 7. "Costruzione dei rilevati"

Di norma per la costruzione dei rilevati dovranno essere impiegate terre appartenenti ai gruppi AI, A2-4 e A2-5 e A3.

Ad esclusivo giudizio della D.L., e limitatamente alla costruzione dei soli rilevati stradali, potrà essere ammesso anche l'impiego di terre appartenenti ai gruppi A2-6, A2-7, A4, A5, A6, purché l'Impresa, a sua cura e spesa, provveda alle necessarie manipolazioni ed integrazioni ed alla protezione del corpo stradale dalla eventuale risalita di acqua capillare proveniente da falde poco profonde mediante idonei diaframmi anticapillari in misto granulare, secondo le disposizione della D.L. medesima.

In ogni caso sono assolutamente da escludere le terre appartenenti al gruppo A7.

Agli ultimi due strati dei rilevati stradali, adiacenti alla fondazione della sovrastruttura dovranno essere riservate le terre migliori disponibili. In ogni caso dovranno essere costituiti da terre a granulometria continua, non soggette a ritiro, preferibilmente appartenenti ai gruppi A1 e A3.

Le cave di prestito, da aprirsi a totale cura e spese dell'Impresa e con gli opportuni permessi ed autorizzazioni da parte degli enti interessati (Forestale, Consorzi ecc.) dovranno essere coltivate in modo che, tanto durante l'esecuzione degli scavi, quanta a scavo ultimata, non abbiano a verificarsi franamenti, ristagni d'acqua o impaludamenti, o comunque condizioni pregiudizievoli per la salute ed incolumità pubblica, restando espressamente inteso che l'Impresa è totalmente responsabile di qualunque danno od anomalia arrecata ad Enti pubblici o privati ed a proprietà di terzi.

La stesa del materiale per la formazione del rilevato dovrà essere eseguita in strati regolari di spessore proporzionale alla natura del materiale stesso e alla potenza, tipo e peso dei mezzi costipanti utilizzati, secondo le disposizioni all'uopo impartite dalla D.L., ma in ogni caso non superiore a cm 50 e con pendenza trasversale non inferiore al 2% e non superiore al 4%, onde permettere un rapido smaltimento delle acque piovane.

Il materiale costituente il corpo del rilevato dovrà essere messo in opera per strati non eccedenti i 30 cm e costipato con mezzi meccanici riconosciuti idonei dalla D.L. fino a raggiungere una densità secca max. AASHO mod. non inferiore a 190% negli strati inferiori ed al 95% in quello superiore (ultimi 30 cm).

Per tale ultimo strato si dovrà raggiungere un modulo di deformazione "Md"  $\geq 500$  kg/cmq nell'intervallo di carico compreso tra 1.5 e 2.5 kg/cmq.

La D.L. provvederà al controllo dell'esecuzione dei rilevati almeno ogni 200 me di materiale posto in opera, sia determinando il grado di compattazione e di umidità durante l'esecuzione, sia effettuando prelievi in sito ed analisi di laboratorio allo scopo di comprovare le caratteristiche dei materiali effettivamente impiegati. Per tali prove e controlli la D.L. si avvarrà di laboratori autorizzati.

---

In base alle risultanze verranno impartite le eventuali disposizioni correttive per la prosecuzione dei lavori, alle quali l'Impresa dovrà scrupolosamente attenersi.

Tutte le spese relative ai controlli di cui sopra, dai prelievi al trasporto ed alle analisi, sono a carico dell'Impresa che è obbligata a presenziare ai prelievi ed alle prove a mezzo di un suo incaricato.

Durante la costruzione dei rilevati l'Impresa dovrà provvedere a propria cura e spese a proteggere la base del terrapieno dall'azione delle acque piovane mediante l'apertura a monte di appositi fossi di guardia scolanti, anche provvisori, atti a garantire l'immediato e continuo smaltimento delle acque.

Nel caso di rilevati appoggiati su base stabilizzata, i fossi di guardia dovranno essere aperti ad una profondità superiore a quella di impianto dello strato stabilizzato.

L'opera di compattamento deve essere preceduta ed accompagnata dal servizio di motolivellatrici che curino in continuità la sagomatura della superficie e infatti della massima importanza che questa, nel corso della formazione del rilevato, presenti sagoma spiovente lateralmente con falde di opportuna pendenza e si evitino buche e solchi dove l'acqua possa ristagnare.

La parte superiore del terrapieno verrà sagomata a doppia falda con pendenze trasversali tali da assicurare lo smaltimento superficiale delle acque ed in ogni caso non superiore al 4%.

Per una maggiore protezione del rilevato dall'azione diretta degli agenti atmosferici, l'Impresa dovrà provvedere, senza ulteriori compensi, a rivestire la superficie esterna dei terrapieno con una strata di terra vegetale, dello spessore indicato nei disegni costruttivi o stabilito dalla D.L. in corso d'opera, onde favorire l'attecchimento e lo sviluppo di vegetazione spontanea o di seminagioni che la D.L. ritenesse opportuno effettuare.

La terra potrà provenire dai depositi di terreno vegetale asportato nella preparazione del piano di posa del rilevato stesso o da altre zone, purché possieda le caratteristiche necessarie.

Il rivestimento seguirà dappresso la costruzione del rilevato e dovrà essere eseguito con cura scrupolosa procedendo a cordoli orizzontali da costiparsi con mezzi meccanici idonei, previa gradonatura di ancoraggio, onde evitare possibili superfici di scorrimento ed in modo da assicurare una superficie regolare.

A lavoro ultimato la sagomatura e le livellette dei rilevati dovranno essere conformi ai disegni e alle quote stabilite dal progetto e prescritte dalla D.L. in fase d'esecuzione.

Sarà pertanto obbligo dell'Impresa, escluso qualsiasi compenso addizionale, di assegnare ai rilevati, durante la loro costruzione, quelle maggiori dimensioni richieste dal costipamento e dall'assestamento delle terre e dalla loro rifilatura alla sagoma voluta, dovendosi in ogni caso evitare il riporto superficiale di nuove materie sovrapposte a quelle già consolidate.

Tutti gli oneri e prescrizioni di cui sopra, nonché le riparazioni e le ricostruzioni che si rendessero necessarie, anche dopo la ultimazione e fino a collaudo, per la mancata o imperfetta osservanza delle prescrizioni medesime sono a totale carico dell'Impresa, la quale quindi non potrà richiedere alcun compenso.

---

#### **1.4.6. RILEVATI E RINTERRI ADDOSSATI ALLE STRUTTURE - DRENAGGI**

Per i rilevati e rinterri da addossarsi alle murature di manufatti o di qualsiasi altra opera, si dovranno sempre impiegare terre sciolte, sabbiose o ghiaiose, di granulometria opportune ed approvate dalla D.L., restando assolutamente vietato l'impiego di terre argillose, ed in generale di tutte quelle che con assorbimento di acque si rammolliscono e si gonfiano, generando spinte.

Nella formazione dei suddetti rilevati e rinterri dovrà essere posta ogni diligenza perchè la loro esecuzione proceda per strati orizzontali di uguale altezza da tutte le parti, disponendo contemporaneamente le terre con la maggiore regolarità e precauzione, in modo da caricare uniformemente le murature e da evitare le sfiancature che potrebbero derivare da un carico male distribuito.

Le terre trasportate a rilevato o rinterro non dovranno essere scaricate direttamente contro le murature.

Il materiale dovrà essere steso a strati successivi di spessore non superiore a cm. 30, adeguatamente bagnati e pilonati, fino a raggiungere un grado di costipamento pari al 95% della densità massima relativa alla prova AASHD Mod.

I terrapieni saranno addossati alle murature solo dopo che queste abbiano raggiunto sufficiente stagionatura, salvo diversa disposizione della D.L. Tutte le riparazioni o ricostruzioni che si rendessero necessarie per la mancata o imperfetta osservanza delle prescrizioni del presente Articolo, saranno ad esclusivo carico dell'Impresa.

Qualora la D.L. lo ritenga necessario e lo ordini, a tergo delle murature verranno costruiti drenaggi, valutati a parte e compensati con il relativo prezzo di Elenco, di spessore non inferiore a cm. 30 ed eseguiti con pietrame o ciottoli consistenti, accomodati a mano.

Negli strati inferiori verranno disposti gli elementi di dimensioni maggiori, mentre per l'ultimo strato superiore verrà utilizzato pietrame minuto, ghiaia od anche pietrisco onde impedire al terreno di copertura di penetrare nella massa ed otturare gli interstizi.

#### **1.4.7. FONDAZIONE DELLA PAVIMENTAZIONE - STRATO IN MISTO GRANULARE STABILIZZATO**

Per la costruzione della fondazione della pavimentazione dovranno impiegarsi miscele stabilizzate granulometricamente di ghiaia e sabbia mista di fiume o di cava, naturali od opportunamente vagliate, o detriti di cava provenienti dalla frantumazione di rocce idonee, di spessore proporzionato alle previsioni di progetto o alle particolari disposizioni impartite dalla D.L. in corso d'opera in relazione alla natura e alla portanza del sottofondo e alle caratteristiche del traffico.

I materiali impiegati dovranno avere qualità e caratteristiche corrispondenti alle prescrizioni di cui agli specifici articoli del presente Capitolato.

La composizione granulometrica della miscela dovrà essere mantenuta costantemente nei limiti indicati nel prospetto seguente, salvo eventuali correzioni o più precise limitazioni prescritte all'atto esecutivo dalla D.L., specialmente per quanto riguarda il contenuto dell'aggregato fine

---

limosoargilloso e la massima dimensione dell'aggregato grosso, in relazione a particolari usi o a particolari esigenze di protezione dalla azione dell'acqua e del gelo:

- passante ai crivello 71                      UNI 2334      100%
- passante al crivello 40                    UNI 2334      da 75 a 100%
- passante al crivello 25                    UNI 2334      da 60 a 87%
- passante al crivello 10                    UNI 2334      da 35 a 67%
- passante al crivello 5                     UNI 2334      da 25 a 55%
- passante al crivello 2                     UNI 2332/1    da 15 a 40%
- passante al crivello 0,4                  UNI 2332/1    da 7 a 22%
- passante al crivello 0.075                UNI 2332/1    da 2 a 10%

Il rapporto tra il passante al setaccio 0,075 UNI 2332/1 ed il passante al setaccio 0.4 UNI 2332/1 dovrà risultare inferiore a 213.

La perdita in peso alla prova "Los Angeles" eseguita sulle singole pezzature dovrà essere inferiore al 30% per miscele con < del 60% in peso di elementi a spigoli vivi. L'indice di portanza CBR per la frazione granulometrica passante al crivello n. 25, dopo 96 ore di imbibizione in acqua, dovrà risultare  $\geq 50$ , valore richiesto anche per provini costipati con umidità maggiore dei 2% rispetto a quella ottima.

L'equivalente in sabbia (E.S.) misurato sulla frazione passante al setaccio n. 4 ASTM dovrà essere compresa tra 25 e 65. Per E.S. tra 25 e 35, a prescindere dalla percentuale in peso degli elementi a spigoli vivi; l'indice di portanza CSR dovrà risultare  $\geq$  a 50.

Per la messa in opera il materiale, depositato in cordoni lungo la superficie stradale dovrà essere convenientemente ed uniformemente umidificato (o aerato, nel caso fosse troppo umido) fino al raggiungimento della umidità ottima di costipamento.

Successivamente, mediante motor-grader, si provvederà ad omogeneizzare il materiale e a stenderlo sulla intera superficie in strati di spessore proporzionato al tipo e al rendimento dei mezzi di costipamento, ma in ogni caso non superiore a cm. 25 sciolto.

E' fatto assoluto divieto di procedere ai lavori in condizioni di eccessiva umidità e nel caso di temperature inferiori a 3 °C.

A stesa avvenuta il materiale dovrà presentarsi completamente omogeneo, con assenza assoluta di zone ghiaiose, sabbiose o limose o di toppe di argilla.

Qualsiasi area che risulti danneggiata per effetto di lavori eseguiti in contravvenzione alle disposizioni precedenti, dovrà essere completamente scarificata, rimiscelata e costipata in conformità alle prescrizioni della D.L., il tutto a cura e spese dell'Impresa.

In corso d'opera l'Impresa sarà tenuta alla verifica della corrispondenza dei requisiti geotecnica richiesti per i materiali impiegati.

Ciascun strato, quindi, dovrà essere adeguatamente costipato sino al raggiungimento del 95% della densità massima fornita dalla prova AASHD mod. (con esclusione della sostituzione degli elementi trattenuti al setaccio da 314"), con i mezzi riconosciuti idonei ed approvati dalla D.L., procedendo dal lato verso il centro della carreggiata e proseguendo le operazioni fino a che la capacità portante



---

dello strato finale, determinata alla prova di carico con piastra di cm. 30 di diametro non abbia raggiunto il valore di 800 Kg./cmq nell'intervallo di carico compreso tra 1.5 e 2.5 kg/cmq.

#### **1.4.8. SOVRASTRUTTURA – PAVIMENTAZIONI IN CONGLOMERATI BITUMINOSI A CALDO**

##### **a) Inerti:**

la qualità degli inerti dovrà rispondere ai requisiti ed alle caratteristiche di accettazione di cui all'articolo specifico del presente capitolato ed alle prescrizioni dei fascicolo IV delle norme CNR 1953 art. 213141516.

Pietrischi pietrischetti e graniglie: saranno costituiti da frantumati (non inferiore al 30% del totale in peso), qualunque sia la loro destinazione di impiego, dovranno essere costituiti da elementi sostanzialmente uniformi e compatti, di forma pressoché poliedrica, con spigoli vivi e superficie ruvida, puliti ed esenti da polvere e da altre materie estranee, con una perdita per decantazione in acqua non superiore all' I %.

Saranno senz'altro rifiutati materiali con elementi di forma allungata, lamellare o scagliosa con percentuale in peso > del 15% del totale.

Sabbia. La sabbia alla prova di decantazione in acqua dovrà presentare una perdita in peso non superiore al 2%. Ove necessario, la sabbia dovrà essere ripetutamente lavata con acqua dolce fino al raggiungimento di tali requisiti e corrispondere alle caratteristiche granulometriche prescritte dall'art. 2 Fascicolo n. 4, non idrofila e con E.S. compreso tra 50 e 80.

Additivi Gli additivi (fillers) dovranno risultare totalmente passanti al setaccio n. 80 ASTM e per il 85% al setaccio n. 200 ASTM UNI 2332/1.

##### **b) Bitume:**

il bitume utilizzare per la confezione degli impasti dovrà rispondere alle caratteristiche e requisiti di accettazione di cui all'art. apposito del presente Capitolato:

- penetrazione a 25 °C uguale a 60:70;
- punto di rammollimento 47:56 °C;
- duttilità a 25 °C oltre 100 cm;
- solubilità in solfuro di carbonio 99,80%.
- indice di penetrazione tra -1 e +1

La composizione granulometrica dei conglomerati bituminosi dovrà risultare ben assortita e costantemente compresa nei limiti prescritti nel presente Capitolato per ogni tipo di impasto.

##### **c) Caratteristiche e requisiti degli inerti e delle miscele:**

le formule di composizione e le caratteristiche dei vari tipi di impasti dovranno essere contenute entro i limiti di seguito riportati:

1) Conglomerato bituminoso di tipo semiaperto per strati di collegamento (base)

- passante al crivello 40 UNI 2334 ..... 100%

- 
- passante al crivello 30 UNI 2334 ..... da 80 a 100%
  - passante al crivello 25 UNI 2334 ..... da 70 a 95% o
  - passante al crivello 15 UNI 2334 ..... da 45 a 70%
  - passante al crivello 10 UNI 2334 ..... da 35 a 60%
  - passante al crivello 5 UNI 2334 ..... da 25 a 50%
  - passante al setaccio 2 UNI 233211..... da 20 a 40%
  - passante al setaccio 0,4 UNI 233211..... da 6 a 20%
  - passante al setaccio 0,18 UNI 233211.... da 4 a 14%
  - passante al setaccio 0,075 UNI 233211.... da 4 a 8%

Percentuale di bitume dal 3,50 al 4.50% in peso riferito al totale degli inerti.

Stabilità Mashall (CNR n. 30) eseguita a 60°C su provini costipati con 75 colpi per faccia  $\geq 700$  kg. rigidità Marshall  $> 250$ ;

Percentuale dei vuoti residui dei provini Mashall compresa tra il 4 ed il 7%

Inerti: requisiti come da fasc. 4 CNR 1953, materiali ottenuti da rocce con resistenza meccanica non inferiore a 1200 Kg./cmq, coefficiente di frantumazione  $\leq$  a 140 e "Los Angeles"  $<$  di 25. con inerti ad elementi sani, durevoli a superficie ruvida.

Tali materiali dovranno inoltre presentare un coefficiente di imbibizione non superiore a 0,015, indice dei vuoti delle singole pezzature  $< 0.85$ , materiale non idrofilo e sopportare senza inconvenienti il riscaldamento occorrente per la preparazione degli impasti.

## 2) Conglomerato bituminoso di tipo semiaperto per strati di collegamento (binder) -

- passante al crivello 25 UNI 2334..... 100%
- passante al crivello 15 UNI 2334 ..... da 65 a 100%
- passante al crivello 10 UNI 2334 ..... da 50 a 80%
- passante al crivello 5 UNI 2334 ..... da 30 a 60%
- passante al setaccio 2 UNI 2332/1..... da 20 a 45%
- passante al setaccio 0.4 UNI 2332/1..... da 7 a 25%
- passante al setaccio 0.18 UNI 2332/1..... da 5 a 15%
- additivo passante al setaccio 0.075 UNI 2332/1. da 4 a 8%

Percentuale di bitume dal 4 al 5.50% in peso riferito al totale degli inerti.

Stabilità Mashall CNR n. 30 eseguita a 60°C su provini costipati con 75 colpi per faccia  $\geq 900$  kg, rigidità Marshall  $> 300$ ; Percentuale dei vuoti residui dei provini Mashall compresa tra il 3 ed il 7%. Il peso di volume apparente del conglomerato bituminoso in opera, dovrà essere  $\geq 98\%$  di quello ricavato in lab. su provini Mashall.

Inerti: ottenuti da rocce con resistenza meccanica non inferiore a 1200 Kg./cmq, coefficiente di frantumazione  $\leq$  a 140 e "Los Angeles"  $<$  di 25. coefficiente di imbibizione non superiore a 0,015, indice dei vuoti delle singole pezzature  $< 0.80$ , materiale non idrofilo e sopportare senza inconvenienti il riscaldamento occorrente per la preparazione degli impasti.

---

### 3) Conglomerato bituminoso di tipo chiuso per strati di usura

- passante al crivello 15 UNI 2332/1.... 100%
- passante al crivello 10 UNI 2332/1.... da 70 a 100%
- passante al crivello 5 UNI 2334 ..... da 43 a 67%
- passante al setaccio 2 UNI 2332/1.... da 25 a 45%
- passante al setaccio 0,4 UNI 2332/1.... da 12 a 24%
- passante al setaccio 0,18 UNI 2332/1.... da 7 a 15%
- additivo passante al setaccio 0,075 UNI 2332/1... da 6 a 11%

Percentuale di bitume dal 4.5 at 6.0% in peso riferito al totale degli inerti.

Stabilità Mashall CNR n. 30 eseguita a 60°C su provini costipati con 75 colpi per faccia  $\geq 1000$  kg rigidità Marshall  $> 300$ . Percentuale dei vuoti residui dei provini Mashall compresa tra il 3 ed il 6%

Il peso di volume apparente del conglomerato bituminoso in opera, dovrà essere  $\geq 98\%$  di quello ricavato in lab. su provini Mashall

Inerti: per lo strato di usura gli inerti dovranno provenire da rocce con resistenza alla compressione non inferiore a 1400 Kg./cmq, con coefficiente di frantumazione non superiore a 130 ed una perdita in peso per abrasione "Los Angeles" inferiore a 20, indice dei vuoti delle singole pezzature  $<$  di 0.85, coefficiente di imbibizione  $<$  0.015, materiale non idrofilo

#### **d) Controllo e requisiti di accettazione**

Nei limiti sopraindicati la formula di composizione adottata per i vari tipi di impasti dovrà essere preventivamente comunicata alla D.L. e dovrà essere documentata sulla base dei risultati di prove sperimentali eseguite per ogni tipo di impasto presso Laboratori ufficiali, in conformità alle modalità stabilite dalle norme UNI.

Resta espressamente stabilito che nulla è dovuto all'Impresa se, in funzione della qualità e della granulometria degli inerti prescelti, dovessero essere necessari dosaggi di bitume superiori a quelli sopraindicati.

La D.L. si riserva la facoltà di approvare i risultati ottenuti, ovvero di richiedere nuove prove sperimentali, e comunque senza che tale approvazione riduca in alcun modo la responsabilità dell'Impresa, la quale, per espresso patto contrattuale, resta in ogni caso unica e totale garante dell'esecuzione del lavoro in conformità alle prescrizioni del presente articolo ed obbligata a rifare a sue spese, fino a collaudo eseguito, tutte quelle applicazioni che dopo la loro esecuzione non abbiano dato risultati soddisfacenti.

In corso d'opera, sulla formula di composizione adottata ed approvata dalla D.L., e sempre nei limiti estremi prescritti per ogni tipo di impasto, non saranno assolutamente consentite variazioni in più o in meno superiori allo 0,5% per il bitume, all' 1 % per l'additivo e al 5% per ciascun assortimento granulometrico dell'aggregato.

I conglomerati bituminosi all'atto della stessa dovranno rispondere alle seguenti caratteristiche:

- elevatissima resistenza meccanica interna

- 
- marcata scabrezza specifica (elevatissima resistenza all'usura superficiale per conglomerati di tipo chiuso)
  - grande compattezza: a costipamento ultimato, campioni di materiale tagliati ed estratti dal manta dovranno avere un volume dei vuoti residui non superiori al 4% e all'8% del totale, rispettivamente per conglomerati di tipo chiuso e conglomerati di tipo semiaperto.
  - marcata impermeabilità: carote di campioni di materiale sottoposti alla prova con colonna d'acqua costante di cm. 50 di altezza, dopo 24 ore dovranno presentare un coefficiente di permeabilità  $< 10^{-6}$  cm/sec.

#### **e) Formazione e confezione degli impasti**

Gli impasti dovranno essere confezionati a caldo in impianti di potenzialità proporzionata all'entità complessiva del lavoro da compiere e capaci di assicurare il perfetto essiccamento degli aggregati; la loro depurazione dalla polvere ed il riscaldamento a temperature comprese tra i 150° C ed i 170° C; la classificazione dei singoli aggregati mediante vagliatura ed il controllo della granulometria; la perfetta dosatura degli aggregati mediante idonea apparecchiatura che consenta di usare almeno tre categorie fra pietrischetti e sabbie già vagliate prima dell'invio al mescolatore; il riscaldamento del bitume a temperatura e viscosità uniforme fino al momento dell'impasto; il perfetto dosaggio del bitume e dell'additivo.

La D.L., si riserva la espressa facoltà di esaminare le varie fasi della preparazione dei conglomerati e al tal uopo l'Impresa è obbligata a fornire il nome commerciale e l'indirizzo della Ditta di produzione dei conglomerati, unitamente al formale impegno di questa di consentire alla D.L. e al personale di assistenza sopralluoghi nel cantiere di produzione in qualsiasi momento, con facoltà di operare prelievi di materiali ed assistere e verificarne le fasi di manipolazione e di confezione.

#### **f) Posa in opera di conglomerati**

Il trasporto e la posa in opera del materiale dovranno essere eseguiti in modo da evitare di modificare o sporcare gli impasti ed ogni separazione dei componenti.

Gli impasti dovranno essere portati sul cantiere e stesi ad una temperatura non inferiore a 120° C.

La posa in opera degli impasti sarà preceduta da una accurata pulizia della superficie da rivestire, mediante energico lavaggio e ventilazione, e dalla spalmatura di un velo continuo di emulsione bituminosa al 55% del tipo e della qualità accettata dalla D.L., in ragione di Kg.0,700 a mq. per la mano di attacco del conglomerato di tipo semiaperto e di Kg.0,400 a mq. per la mano di attacco del conglomerato di tipo chiuso.

Farà immediatamente seguito la stesa del conglomerato che verrà effettuata mediante idonee macchine vibrofinitrici, del tipo approvato dalla D.L. ed in perfetto stato d'uso, capaci di assicurare il mantenimento della uniformità degli impasti e la stesa di strati di livellette e profili perfettamente regolari e dello spessore stabilito dalla D.L., compensando eventuali irregolarità della fondazione.

La cilindratura del conglomerato dovrà essere effettuata con compressori meccanici a rapida inversione di marcia, del peso di 5-10 tonn.

---

La cilindratura comincerà iniziando il primo passaggio con le ruote motrici anteriori, procedendo dai bordi della strada verso il centro con passaggi paralleli in modo che ogni passaggio si sovrapponga parzialmente all'altro per una striscia di 25-30 cm. di lunghezza, dopo il primo consolidamento la cilindratura dovrà essere eseguita anche in senso diagonale e dovrà essere continuata fino ad ottenere il grado di addensamento prescritto per il conglomerato.

In corrispondenza delle giunzioni, dei cordoni laterali, delle bocchette dei servizi sotterranei e dei margini comunque limitanti la pavimentazione ed i suoi singoli tratti, prima della stesa del manto si dovrà procedere alla spalmatura di uno strato di bitume a caldo in modo da assicurare la perfetta impermeabilità ed adesione delle superfici a contatto.

Ogni giunzione e margine dovranno quindi essere battuti e rifiniti a mano con gli appositi pestelli da giunta a base rettangolare, opportunamente scaldati.

Dopo la stesa dello strato di collegamento la strada verrà aperta al traffico per un periodo di tempo che sarà stabilito dalla D.L. Successivamente, previa eliminazione degli eventuali piccoli cedimenti mediante l'aggiunta di binder, si procederà alla stesa dello strato di usura che a costipamento ultimato dovrà avere lo spessore stabilito dalla D.L.

Il manto di usura dovrà essere eseguito senza soluzione di continuità lungo una serie di tratti contigui e su tutta la strada alla volta.

Alla fine della giornata lavorativa l'impresa è obbligata a completare tutto il tratto di strada sul quale ha inizio il trattamento al mattino.

A lavoro ultimato i manti dovranno presentare superficie regolarissima in ogni punto e perfettamente corrispondente alle sagome ed alle livellette di progetto o prescritte dalla D.L.

Ad un accurato controllo effettuato con un'asta rettilinea della lunghezza di m. 4, in nessun punto dovranno risultare ondulazioni od irregolarità superiori a mm. 5.

## **1.5. OPERE IN CALCESTRUZZO ARMATO E IN ACCIAIO**

### **1.5.1. DISPOSIZIONI LEGISLATIVE**

Nella progettazione e nella esecuzione delle strutture in conglomerato cementizio armato ed in acciaio dovranno essere tassativamente e perfettamente osservate le prescrizioni stabilite dalle Norme Tecniche di cui al D.M. 18 Gennaio 2018.

Per quanto di competenza dell'impresa, dovranno inoltre essere rispettate le disposizioni di cui alla L. 5 novembre 1971, n.1086, alla L. 2 febbraio 1974.

### **1.5.2. PROGETTO E DIREZIONE DELLE OPERE - RESPONSABILITÀ DELL'IMPRESA**

Il progetto delle strutture in c.a. dovrà essere controfirmato dall'impresa, assumendo tale firma il significato di accettazione degli esecutivi e calcoli, nonché di assunzione delle responsabilità.

L'esecuzione delle opere in c.a. dovrà aver luogo sotto la direzione, per conto dell'impresa, di tecnico di provata esperienza. Il nominativo di tale tecnico (che potrà anche coincidere con il

---

Direttore del Cantiere) ed il relativo indirizzo dovranno essere preventivamente comunicati all'Amministrazione.

### **1.5.3. CONGLOMERATI CEMENTIZI**

#### **a) Composizione dei conglomerati**

I materiali da impiegarsi per la formazione dei conglomerati cementizi da adoperarsi per l'esecuzione di opere di qualsiasi genere, sia in fondazione che in elevazione, armate o meno, dovranno possedere qualità e caratteristiche perfettamente corrispondenti alle prescrizioni di cui agli specifici articoli contenuti nel Capo III del presente Capitolato.

Di norma dovrà essere usato cemento portland o pozzolanico o d'altoforno, del tipo 325 o 425, a seconda della necessità di impiego e delle prescrizione della D.L.

Gli inerti dovranno soddisfare i requisiti dell'all. 1 del D.M. 14. febbraio 1992 ed essere almeno di tre pezzature: sabbia pietrisco e pietrischetto, lavati e vagliati e di composizione costantemente corrispondente alla curva granulometrica preventivamente sottoposta alla approvazione della D.L.

La massima dimensione dei grani dell'inerte dovrà essere tale da permettere il riempimento del getto in ogni sua parte, tenendo conto della lavorabilità dell'impasto, dell'armatura metallica e relativo copriferro, della carpenteria, delle modalità del getto e dei mezzi d'opera.

Particolare attenzione dovrà essere rivolta alla granulometria della sabbia, al fine di ridurre al minimo il fenomeno del "bleeding" nel conglomerato.

L'idoneità dell'inerte sarà verificata su prelievi rappresentativi della fornitura.

Oltre ai requisiti di cui sopra, saranno accertati il tenore di impurità organiche, il materiale passante al setaccio 0,075 LTNI 2332, che dovrà essere minore dello 1,5% in massa per la ghiaia ed il pietrisco, ed il coefficiente di forma, che dovrà essere 0,15.

L'impiego dei conglomerati di norma sarà sempre preceduto da uno studio preliminare, con relative prove, sia sui materiali da impiegare, che sulla composizione granulometrica degli inerti e sul dosaggio dei vari componenti.

Studio che l'Impresa si obbliga ad effettuare, a sue spese e sotto la sorveglianza della D.L., presso Laboratori Ufficiali od altri autorizzati; ciò allo scopo di determinare, con sufficiente anticipo e mediante certificazione di laboratorio, la migliore formulazione atta a garantire i requisiti richiesti dal presente Capitolato, sia nell'impasto fresco (consistenza, omogeneità, pompabilità) che in quello indurito (resistenza, permeabilità, modulo elastico, ritiro, fluage, ecc.).

#### **b) Confezione degli impasti**

La produzione del conglomerato dovrà essere effettuata con mezzi meccanici, possibilmente in impianti di betomaggio centralizzati, muniti dei necessari dispositivi di pesatura atti a garantire il dosaggio costante dei componenti.

---

L'impasto dovrà risultare di consistenza omogenea ed uniformemente coesivo, tale da essere trasportato e manipolato senza che si verifichi la separazione dei singoli componenti.

La consistenza dell'impasto dovrà essere compatibile con il particolare destinazione del getto e con il procedimento di posa in opera adottato.

In nessun caso è ammesso di ottenere una maggiore lavorabilità con impegno di acqua superiore a quanto previsto nella composizione del calcestruzzo, tenendo conto anche dell'acqua contenuta negli inerti.

L'eventuale uso di additivi aereanti e fluidificanti dovrà essere volta per volta autorizzato dalla D.L., previa idonea documentazione e sperimentazione dei tipi proposti dall'Impresa.

L'uso di tali sostanze, in quanto effettuato per iniziativa e comodità dell'Impresa, non dà luogo ad alcun compenso od indennizzo oltre al prezzo stabilito per i calcestruzzi nelle relative voci di Elenco.

L'eventuale fornitura, a mezzo di autobetoniere, di conglomerato già confezionati dovrà essere autorizzato dalla D. L., alla quale deve essere preventivamente avanzata specifica richiesta con l'indicazione della Ditta fornitrice, della qualità dei leganti e degli inerti usati e della quantità di acqua di impasto.

L'accettazione di conglomerati preconfezionati sarà comunque subordinata al rispetto della specifica normativa UNI 9858, che ne precisa la definizione, le condizioni di fabbricazione e di trasporto, le caratteristiche dei componenti, le caratteristiche del prodotto che dovranno essere garantite e le prove atte a verificarne la conformità, nonché alle particolari prescrizioni della D.L.

### **c) Classe di qualità del conglomerato – controlli**

La resistenza caratteristica a compressione,  $R'_{bk}$ , determinata a 28 giorni di stagionatura, dei calcestruzzi da adoperarsi nelle opere previste nel contratto dovrà corrispondere alle prescrizioni del presente Capitolato alle voci dell'Elenco Prezzi per i vari tipi di impasto, ed a quanto di volta in volta verrà ordinato dalla D.L.

L'accertamento della resistenza caratteristica richiesta verrà effettuato mediante prove di resistenza eseguite presso laboratori ufficiali od altri autorizzati su campioni di calcestruzzo prelevati sul luogo dell'impiego, in conformità alle prescrizioni dell'Allegato 2 del D.M. 14 febbraio 1992 indicate dalla normativa UNI 6126-72, UNI 6127-72, UNI 6130/1, 6130/2 e UNI 6132-72.

Per getti non armati o solo debolmente armati (fino ad un massimo di 30 Kg./mc.) il numero dei prelievi sarà stabilito dalla D. L., a suo insindacabile giudizio, ma in ogni caso non inferiore ad un prelievo ogni 100 metri cubi.

Tutte le spese per la preparazione, conservazione e trasporto dei provini e quelle per l'esecuzione delle prove sono a totale carico dell'Impresa, che dovrà assolvere direttamente e consegnare quindi alla D.L. i documenti con i risultati ottenuti.

Nel caso di risultati inferiori rispetto alle resistenze prescritte, la D.L. ordinerà il prelievamento di

---

campioni in sito da sottoporre ad analoghe prove sperimentali.

Se i risultati inferiori alle prescrizioni saranno confermati, la D. L., in relazione alla funzione delle opere eseguite con il calcestruzzo di qualità scadente, avrà la facoltà di ordinare la demolizione ed il rifacimento delle opere o l'esecuzione di adeguate opere di consolidamento, il tutto a spese dell'impresa, ovvero di applicare una congrua detrazione al prezzo di Elenco.

Le prove sclerometriche, eventualmente effettuate per controllo speditivo, avranno solo valore indicativo.

#### **1.5.4. CASSEFORME - ARMATURE – CENTINATURE**

Le casseforme e le relative armature di sostegno dovranno essere sufficientemente rigide per resistere, senza deformazioni apprezzabili, al peso proprio del conglomerato e alle sollecitazioni provocate dai carichi accidentali di lavoro, dalla battitura e dalla eventuale vibrazione del getto.

Qualora la luce delle membrature oltrepassasse i 6 metri, sotto le casseforme e sotto i puntelli dovranno essere disposti opportuni apparecchi, idonei a garantire in ogni caso che il disarmo delle armature avvenga con gradualità e simultaneamente in ogni punto delle membrature.

Le superfici interne delle casseforme dovranno presentarsi lisce, pulite e senza incrostazioni di sorta; dovranno essere assolutamente evitate mancanze di allineamento, tolleranze eccessive e sbrodolamenti con conseguenti impoverimenti di malta, scolorimenti e scarso costipamento in corrispondenza degli spigoli.

Pertanto i giunti delle casseforme dovranno essere eseguiti con la massima cura, non soltanto tra i singoli elementi che costituiscono i pannelli, ma anche nelle giunzioni verticali ed orizzontali dei pannelli stessi.

Nel prezzo delle casseforme si intenderà compreso l'onere dell'inserimento di tubi pezzi speciali, canne, scatole, tappi, ecc., di qualsiasi materiale, forma e dimensioni, necessari alla predisposizione dei passaggi per la successiva posa in opera delle condutture, degli scarichi, degli impianti tecnologici, ecc., secondo quanto previsto nel progetto o prescritto dalla Direzione Lavori.

Nel caso di strutture in vista, le superfici dei getti dovranno risultare perfettamente piane, senza concavità, risalti, nidi di ghiaia, sbavature, o irregolarità di sorta, tali da non richiedere comunque alcun tipo di intonaco, ne tanto meno spianamenti, abbozzi o rinzaffi.

A tale scopo le casseforme dovranno essere preferibilmente metalliche, oppure se di legno di ottima fattura e formate da tavole rettificate e piallate perfettamente connesse.

La qualità e la stagionatura delle tavole dovrà essere uniforme, onde evitare differenze di colore nelle superfici da lasciare in vista, così come dovrà essere assolutamente evitata ogni inclusione di elementi metallici che fuoriescano dai getti, anche se usati di norma per la tenuta in posizione delle casseforme, nel qual caso andranno sostituiti con adeguati rinforzi esterni.



---

Per iniziativa e comodità dell'Impresa, ed in ogni caso a tutte sue spese, sarà ammesso l'uso di idonei

disarmanti, previa autorizzazione della D.L. e purché di qualità tale da non provocare macchie o danni alla superficie del conglomerato.

Di norma essi dovranno essere costituiti da olii puri con aggiunta di attivanti superficiali (surfactant)

per ridurre la tensione superficiale o da emulsioni cremose di acqua in olio con aggiunta di attivanti. Il disarmante dovrà essere steso uniformemente sull'intera superficie.

Ove previsto in progetto o richiesto dalla D .L., la confezione delle casseforme dovrà essere integrata

con l'applicazione di listelli, strisce di sigillatura in poliuretano od elementi di altri materiali idonei per evidenziare i giunti e per ottenere scanalature, gocciolatoi, decorazioni in vista o zigrinature.

L'onere relativo, ove non diversamente disposto nelle relative voci dell'Elenco, dovrà intendersi compreso nel prezzo delle casseforme.

### **1.5.5. OPERE IN CALCESTRUZZO ARMATO E NORMALE**

#### **a) Armature metalliche**

Gli acciai da impiegarsi per l'esecuzione delle armature metalliche dovranno rispondere, con riguardo

alle sezioni di calcolo, alle tensioni ammissibili ed alle modalità di fornitura, lavorazione e posa in opera, a quanto indicato nei disegni esecutivi particolareggiati di progetto ed alle norme contenute a riguardo nel D.M. 18.01.2018. E' assolutamente vietata la lavorazione delle barre di armatura con piegature a caldo.

Le giunzioni delle barre in zona tesa, quando non fossero evitabili, dovranno essere sfalsate in modo che ciascuna interruzione non interessi una sezione metallica maggiore di 1/4 di quella complessiva e sia distanze delle interruzioni contigue di non meno 60 volte il diametro delle barre di maggiore diametro.

Nella posa in opera delle barre l'Impresa dovrà provvedere alla realizzazione di tutti gli accorgimenti

necessari affinché durante l'esecuzione del getto le armature si mantengano sollevate alle pareti delle casseforme delle distanze prescritte per i copriferri, così come dovrà provvedere ad ogni

legatura ed irrigidimento necessario a mantenere tutte le barre nella posizione di calcolo.

Particolari accorgimenti dovranno essere adoperati per evitare spostamenti nelle armature delle strutture a vista. E' fatto assoluto divieto all'Impresa di procedere all'esecuzione del getto prima che la D.L. abbia provveduto ad accertare la rispondenza delle armature al progetto esecutivo ed alle disposizioni all'uopo impartite.

#### **b) Posa in opera dei conglomerati**

Oltre a quanto prescritto nel precedente articolo l'Impresa dovrà attenersi alle seguenti prescrizioni:

##### **1) Trasporto del conglomerato**

---

Il trasporto del conglomerato al luogo di impiego dovrà essere effettuato con mezzi idonei, atti ad escludere la separazione dei singoli componenti e comunque ogni possibilità di deterioramento delle caratteristiche del conglomerato.

Il termine trascorso tra l'inizio delle operazioni di impasto ed il termine dello scarico in opera

dovrà essere tale da non causare un aumento di consistenza superiore di cm. 5 alla prova del cono di Abrams.

E' fatto assoluto divieto all'Impresa di diminuire la consistenza degli impasti aggiungendo acqua dopo lo scarico dalla betoniera.

## 2) Esecuzione del getto

Prima di procedere all'esecuzione del getto dovrà essere eseguito un accurato controllo delle dimensioni e del perfetto posizionamento delle casseforme, delle condizioni di stabilità dei sostegni e della pulizia delle pareti interne; per i pilastri in modo particolare dovrà essere curata

l'assoluta pulizia del fondo.

Si provvederà inoltre ad una abbondante bagnatura delle casseforme.

Nell'esecuzione del getto, e successivamente, l'Impresa dovrà provvedere ad adottare tutti gli accorgimenti necessari perchè la temperatura dell'impasto non venga a superare i  $30^{\circ}\text{C}$  e non

scenda al di sotto dei  $13^{\circ}\text{C}$ , per i getti di spessore inferiore ai 20 cm., e di  $10^{\circ}\text{C}$ , negli altri casi, eventualmente ricorrendo anche all'uso di particolari additivi ritardanti, acceleranti o aereanti, approvati dalla D.L. e a tutto suo carico.

In particolare, nei periodi freddi, dovrà essere verificato che non si formino blocchi di inerti agglomerati con ghiaccio, né che avvengano formazioni di ghiaccio sulle superficie del getto,

sulle armature o nelle casseforme

E' in facoltà della D.L. ordinare la sospensione dei getti ovvero l'adozione di tutti i provvedimenti necessari, a suo esclusivo giudizio, senza che l'Impresa possa avanzare richiesta di speciali compensi od indennizzi di sorta.

La posa in opera del conglomerato dovrà essere eseguita con tutte le attrezzature e gli accorgimenti necessari ad evitare la segregazione di componenti. .

Di norma il getto dovrà essere eseguito a strati orizzontali di altezza limitata e comunque non

superiore a cm .30, resi dopo costipamento e dovrà essere debitamente pigiato e battuto.

Qualora sia previsto nelle relative voci di Elenco, o comunque quando la D.L. lo ritenga necessario e lo ordini, in relazione ai particolari requisiti richiesti per il conglomerato e alle caratteristiche dell'impasto utilizzato, ed in questo caso senza diritto a particolari compensi, la

costipazione del conglomerato dovrà essere eseguita mediante idonea vibrazione, secondo le prescrizioni e con le modalità concordate con la D.L. medesima.

Di norma dovranno essere utilizzati vibratorii interni, restando limitata solo alle solette di piccolo e media spessore (massimo cm .20),l'applicazione di vibratorii esterni, nel qual caso si provvederà a rinforzare convenientemente le casseforme.

I vibratorii interni dovranno essere del tipo ad elevata frequenza, da 6.000 a 12.000 cicli al minuto.

La vibrazione verrà eseguita immergendo verticalmente il vibratore in punti distanti fra loro

---

da 40 a 80 cm. (in rapporto al raggio di azione del vibratore), ad una profondità non superiore a cm. 40 (interessando comunque la parte superficiale del getto precedente per circa cm. 10) e, a vibrazione ultimata, ritirando lo stesso lentamente, in modo da non lasciare fori o impronte nel conglomerato.

La vibrazione dovrà essere eseguita con uniformità fino ad interessare tutta la massa del getto e verrà sospesa all'apparizione, in superficie, di un lieve strato di malta umida.

L'eventuale uso di additivi fluidificanti dovrà essere autorizzato dalla D. L., previa idonea documentazione di prove preliminari e certificazioni di laboratorio sulle caratteristiche degli additivi proposti; tale uso, in quanto effettuato per iniziativa e comodità dell'Impresa, non dà luogo a speciali compensi.

Di norma l'esecuzione del getto dovrà procedere senza interruzioni.

Qualora la D.L. consenta che vi siano interruzioni esse dovranno essere effettuate nelle posizioni e secondo le modalità approvate dalla D.L. medesima.

In ogni caso tra le successive riprese del getto non dovranno verificarsi distacchi o discontinuità

o differenze di aspetto.

Se al momento della ripresa del getto il conglomerato sottostante si presentasse ancora molle, sarà sufficiente effettuare la ripresa con uno strato di conglomerato più ricco dell'impasto normale, curando di amalgamare i due strati di contatto.

Nel caso, invece, che il conglomerato fosse già indurito, la ripresa del getto dovrà essere preceduta da una idonea preparazione della superficie di contatto, che dovrà essere accuratamente raschiata, se necessario lavorata alla punta, e quindi lavata abbondantemente con

acqua in pressione e ripresa con malta liquida dosata a ql. 5 di cemento per ogni metro cubo di sabbia; nel caso di strutture contro acqua dovranno essere utilizzati speciali collanti o malte brevettate.

### 3) Maturazione del conglomerato

A getto ultimato e per tutto il tempo necessario al raggiungimento di un sufficiente grado di maturazione, in ogni caso per un periodo non inferiore a dieci giorni, il conglomerato dovrà essere adeguatamente protetto da urti, vibrazioni e sollecitazione meccaniche di qualsiasi

genere.

Inoltre, per tutto il periodo di presa, in ogni caso per un periodo non inferiore a tre giorni, l'Impresa dovrà provvedere a periodiche inaffiature delle superficie dei getti in modo da evitare un rapido prosciugamento della stessa.

Se necessario, in rapporto alle condizioni stagionali ed in modo particolare per le strutture sottili

ed i rivestimenti, l'Impresa dovrà provvedere, di sue iniziativa e spese, a stendere sopra la superficie dei getti uno strato di sabbia o dare sopra la superficie dei getti uno strato di sabbia o

di altro materiale idoneo approvato dalla D. L., affinché gli stessi siano mantenuti sempre in condizioni di umidità e siano adeguatamente protetti dall'azione del gelo e del sovrariscaldamento.

Nei periodi freddi la temperatura del getto durante la presa non potrà scendere al di sotto di 5° C, per almeno 4 giorni nelle strutture sottili e per almeno 3 giorni nelle altre strutture.

---

4) **Disarmo dei getti**

Per il disarmo dei getti dovranno essere integralmente osservate le prescrizioni ed i tempi di cui al punto 6.1.5. Parte 1<sup>^</sup>, delle Norme Tecniche contenute nel D.M. 1 aprile 1983 e successive modifiche ed integrazioni.

Durante la stagione fredda i tempi di disarmo dovranno essere convenientemente protratti per tenere conto dei maggiori tempi di maturazione.

L'autorizzazione a procedere sarà lasciata in ogni caso al giudizio della D.L.

Subito dopo il disarmo, ove occorra, si dovrà procedere alla regolarizzazione della superficie dei getti mediante malta cementizia dosata a ql.6 di cemento.

In ogni caso gli eventuali difetti dei getti nelle strutture a vista saranno sempre sottoposti al giudizio della D.L., la quale, caso per caso, potrà ordinare la demolizione di quanto difettosamente eseguito, ovvero autorizzare la ripresa con materiali idonei, ivi compreso l'uso di speciali collanti, riservandosi il giudizio definitivo ad avvenuta riparazione, la quale non potrà dar luogo a speciali compensi, bensì potrà costituire oggetto di detrazioni sul compenso previsto.

c) **Documenti di cantiere**

Nel cantiere, dal giorno di inizio delle opere in calcestruzzo armato fino a quello di ultimazione,

l'Impresa dovrà provvedere a conservare un apposito giornale dei lavori nel quale dovranno essere accuratamente registrate le date delle forniture ed i tipi di cemento, la composizione dei

conglomerati, il tipo e le partite di acciaio, le date e l'ora di inizio e di ultimazione dei getti e dei

disarmi, nonché le particolari condizioni di esecuzione dei getti stessi, gli eventuali additivi usati e le temperature esterne all'inizio e al termine dei lavori.

Detto giornale dovrà essere vistato periodicamente dal Direttore delle opere, di cui alla lettera b) del presente articolo, particolarmente nella fasi più importanti delle esecuzione delle opere, delle prove sui materiali e delle prove di carico.

d) **Prove di carico e collaudo statico**

Le strutture delle opere in conglomerato cementizio armato non potranno essere poste in servizio, né sottoposte a carichi, anche provvisori, prima che ne sia stato effettuato il collaudo statico.

Le prove di carico saranno eseguite osservando integralmente le disposizioni di cui al Norme Tecniche contenute nel D.M. 18 Gennaio 2018.

---

Per strutture contro acqua, quali vasche, serbatoi e simili, le prove di carico dovranno essere integrate da opportune prove di tenuta, atte ad accertare l'assoluta impermeabilità del conglomerato posto in opera.

Nel corso delle prove, dovrà accertarsi che nelle strutture, sottoposte ai carichi di esercizio per un periodo non inferiore a quindici giorni consecutivi, non abbiano a verificarsi gocciolamenti e trasudi di alcun genere.

Nel caso di un eventuale esito sfavorevole, l'Impresa dovrà, provvedere a suo completo carico a tutti gli interventi che si rendessero necessari, senza limiti di spesa e di entità e a ripetere le prove fino ad avere esito favorevole.

Delle prove suddette sarà redatto apposito verbale da sottoscrivere dall'Impresa, dal Direttore dei Lavori e, se effettuato dopo la nomina del Collaudatore, dal Collaudatore stesso. .

#### **1.5.6. SOLAI IN CEMENTO ARMATO**

##### **a) Solai gettati in opera**

Per l'esecuzione dei solai in argomento, in cemento armato o misti di cemento armato e laterizi, si richiamano integralmente tutte le norme e le prescrizioni per l'esecuzione delle opere in conglomerato cementizio armato di cui al D.M. 18 Gennaio 2018.

I laterizi impiegati dovranno rispondere ai requisiti di accettazione e alle prove di cui all'art. "Materiali Laterizi" del presente Capitolato; i relativi accertamenti verranno effettuati in conformità delle modalità prescritte dalle Norme Tecniche citate.

I laterizi dovranno essere posti in opera con giunti sfalsati; scrupolosamente al riempimento degli elementi terminali, oppure alla loro eliminazione, a filari alternati, e all'esecuzione di un getto pieno di saldatura. Prima del getto i laterizi dovranno essere abbondantemente e ripetutamente bagnati. Per il getto delle nervature e della soletta dovrà essere impiegato conglomerato cementizio di classe non inferiore a Rbk 250, formato con inerti di categoria D10 per spessori di getto fino a cm. 7 e di categoria D20 per spessori superiore.

##### **b) Solai con elementi prefabbricati**

Per i solai misti con laterizio o meno, costituiti o composti da elementi prefabbricati in calcestruzzo armato normale o precompresso prodotti in serie in stabilimento, completati o meno in opera, oltre alle disposizioni generali di cui alla precedente lettera a) e al punto 7.2., Parte 2°, delle Norme Tecniche citate, dovranno essere integralmente osservate tutte le disposizioni di cui alla Parte 3° delle Norme stesse.

---

Tutti gli elementi dovranno risultare chiaramente e durevolmente contrassegnati con marchio di fabbrica e numero di serie, onde poter risalire al controllo di produzione; le Ditte produttrici dovranno

fornire tutte le prescrizioni e le indicazioni relative alle operazioni di trasporto e di montaggio, nonché alle caratteristiche di impiego, alle quali l'Impresa dovrà attenersi scrupolosamente.

Particolare attenzione dovrà essere posta nel dimensionamento degli elementi, essendo tassativamente

vietato procedere a tagli od allungamenti, con qualunque mezzo o sistema, per consentire eventuali adattamenti a luci non corrispondenti a quelle di prefabbricazione.

Il progettista delle strutture sarà ritenuto responsabile dell'organico inserimento e della previsione di utilizzazione di tali elementi nel progetto delle strutture dell'opera.

### **1.5.7. MALTE – QUALITA' E COMPOSIZIONE**

#### **a) Malte comuni, idrauliche e cementizie**

I materiali da impiegarsi per la composizione delle malte in argomento dovranno corrispondere alle caratteristiche e ai requisiti prescritti dagli specifici articoli riportata nel Capo III, " Qualità, provenienza e norme di accettazione dei materiali e delle forniture ", del presente Capitolato.

Salvo quanto disposto nelle relative voci di Elenco prezzi per alcune particolari categorie di lavoro, la composizione delle malte dovrà corrispondere alle proporzioni sotto elencate, riferite a metro cubo di inerte:

##### 1) Malta di calce comune per intonaci

..... calce spenta in pasta	Me. 0,66
..... sabbia	me. 1,00

##### 2) Malta di calce idraulica per intonaci

..... calce idraulica in polvere	q.li. 5,50
..... sabbia	mc. 1,00

##### 3) Malta cementizia per murature

..... cemento tit. 325	q.li. 4,00
..... sabbia	me. 1,00

##### 4) Malta cementizia per opere di rifinitura e intonaci civili

..... cemento tit. 325	q.li. 5,00
..... sabbia	mc. 1,00

##### 5) Malta cementizia per intonaci impermeabilizzati a cemento

..... cemento tit.325	q.li. 9,04
..... sabbia	mc. 1 00

Qualora la D.L. ritenesse necessario od opportuno variare le proporzioni dei componenti in rapporto ai quantitativi sopra specificati, l'Impresa sarà obbligata ad uniformarvisi.

---

In tale caso ad essa saranno addebitate od accreditate unicamente le differenze di peso o di volume dei materiali per i quali sarà stato variato il dosaggio, con i relativi prezzi di Elenco.

Ad ogni impasto, i vari componenti, esclusi quelli forniti in sacchi di peso determinato, dovranno essere misurati a peso od a volume, a mezzo di apposite casse delta capacità prescritta dalla D.L., che l'Impresa sarà in obbligo di provvedere e di mantenere a sue spese in cantiere per tutto il tempo di esecuzione dei lavori.

La manipolazione delle matte dovrà essere eseguita di norma a mezzo di idonee macchine mescolatrici, oppure, quando non sia possibile, a braccia d'uomo su aree convenientemente pavimentate.

I componenti delle matte idrauliche e cementizie dovranno prima essere mescolati a secco, fino ad ottenere un miscuglio omogeneo di tinta uniforme, il quale verrà poi asperso ripetutamente con la minore quantità di acqua possibile, ma sufficiente, e continuamente rimescolato.

Gli impasti dovranno essere preparati esclusivamente nella quantità necessaria per l'impiego immediato e, per quanto possibile, in prossimità del lavoro.

I residui di impasto che per qualsiasi ragione non avessero immediato impiego, dovranno essere gettati a rifiuto, ad eccezione di quelli formati con calce comune che dovranno comunque essere utilizzati nello stesso giorno della loro manipolazione.

Se necessario la D.L. potrà ordinare che le malte siano passate al setaccio; tale operazione dovrà comunque essere effettuata per le matte da impiegare nella strada di finitura degli intonaci e per le malte fini (setaccio 4 UNI 233211) e per le colle (setaccio 2 UNI 233211).

#### **b) Malte espansive (antiritiro)**

Saranno ottenute con impasto di cemento classe 325, sabbia ed un particolare additivo costituito da un aggregato metallico catalizzato agente come riduttore dell'acqua di impasto.

La sabbia dovrà avere granulometria corrispondente alla curva di massima compattezza; le proporzioni dei componenti saranno di 1:1:1: in massa. La resistenza a compressione della malta, a 28 gg. di stagionatura, non dovrà essere inferiore a 600 Kg/cmq.

Se non confezionate in cantiere, le malte in argomento potranno essere fornite come prodotto industriale, in confezioni sigillate di marca qualificata.

### **1.5.8. MURATURE DI MATTONI**

Tutte le murature dovranno essere realizzate secondo i disegni di progetto nonché, per le strutture resistenti, secondo gli esecutivi che l'Impresa sarà tenuta a fornire od a verificare a norma delle disposizioni generali sull'argomento riportate nel precedente art. "Disposizioni comuni a tutti i lavori" del presente Capitolato.

Per la costruzione delle murature in genere dovranno essere impiegati laterizi e malte cementizie rispondenti alle prescrizioni di cui all'art. "Materiali laterizi" del presente Capitolato.

---

I laterizi, di ottima scelta e perfettamente spigolati, prima del loro impiego dovranno essere bagnati fino a saturazione per immersione prolungata in appositi recipienti, mai per aspersione.

E' fatto assoluto divieto di procedere all'esecuzione dei lavori nei periodi di gelo, nei quali la temperatura si mantenesse al di sotto di 0° C per molte ore.

Nella costruzione delle murature in genere, dovrà essere curata la perfetta esecuzione degli spigoli, la formazione di voltine, piattabande, archi e verranno lasciati tutti i necessari incavi, sfondi, canne e fori per passaggi di pluviali, impianti idrici e di scarico, canne da fumo, ecc., in modo da evitare di scalpellare i muri già costruiti.

La costruzione delle murature dovrà iniziarsi e proseguire uniformemente a filari allineati, assicurando il perfetto collegamento sia con le murature esistenti, sia tra le varie parti di esse.

La posa in opera dei laterizi dovrà avvenire con le connessure alternate, in corsi orizzontali e normali alle superfici esterne; i mattoni dovranno essere posati sopra un adeguato strato di malte e ben premuti sopra (mai battuti con martello) onde provocare il rifluimento della malta ed il riempimento delle connessure; la larghezza delle connessure dovrà essere compresa fra 5 e 8 mm. per i tipi a paramento sarà costante e pari a 5 mm.; le facce delle murature dovranno essere mantenute bagnate per almeno 15 giorni dalla loro ultimazione ed anche più, se richiesto dalla D.L.

### **1.5.9. OPERE E MANUFATTI IN FERRO**

#### **a) Accettazione dei Materiali**

Il ferro e gli acciai da impiegarsi nella esecuzione delle opere e dei manufatti previsti in progetto dovranno avere caratteristiche e requisiti di accettazione perfettamente rispondenti alle norme di cui all'art. " Materiali ferrosi " del presente Capitolato, alle prescrizioni di Elenco ed alle disposizioni che più in particolare potrà impartire la D.L.

L'Impresa sarà tenuta a dare tempestivo avviso dell'arrivo in officina dei materiali approvvigionati affinché la D.L., prima che ne venga iniziata la lavorazione, possa disporre il prelievo dei campioni da sottoporre ai controlli che riterrà necessari od opportuni.

#### **b) Modalità di lavorazione**

I materiali dovranno essere lavorati con regolarità di forme e di dimensioni e nei limiti delle tolleranze consentite.

Il raddrizzamento e lo spianamento, quando necessari, dovranno essere eseguiti con dispositivi agenti per pressione; riscaldamenti locali, se ammessi, non dovranno creare eccessive concentrazioni di tensioni residue.

I tagli potranno essere eseguiti con la cesoia od anche ad ossigeno, purché regolari; i tagli irregolari, in special modo quelli in vista dovranno essere rifiniti con la smerigliatrice.

Le superfici di laminati diversi, di taglio o naturali, destinate a trasmettere per mutuo contrasto forze di compressione, dovranno essere piattate, fresate, molate o limate per renderle perfettamente combacianti.



---

I fori per chiodi e bulloni dovranno sempre essere eseguiti con trapano, tollerandosi l'impiego dei punzoni per fori di preparazione, in diametro minore di quello definitivo (per non meno di 3 mm.), da allargare poi e rifinire mediante trapano e alesatore; per tali operazioni sarà vietato comunque l'uso della fiamma.

I pezzi destinati ad essere chiodati o bullonati in opera, dovranno essere marcati in modo da poter riprodurre, nei montaggi definitivi, le posizioni d'officina all'atto dell'alesatura dei fori.

**c) Modalità esecutive delle unioni**

Le unioni dei vari elementi componenti le strutture od i manufatti dovranno essere realizzate conformemente alle prescrizioni di progetto ed in particolare:

1) Unioni chiodate

Le unioni chiodate saranno eseguite fissando nella giusta posizione relativa, mediante bulloni di montaggio ed eventuale ausilio di morse, gli elementi da chiodare, previamente ripuliti; i chiodi dovranno essere riscaldati con fiamma riduttrice od elettricamente e liberati da ogni impurità (come scorie, tracce di carbone) prima di essere introdotti nei fori.

A fine ribaditura dovranno ancora essere di colore rosso scuro.

Le teste ottenute con la ribaditura dovranno risultare ben centrate sul fusto, ben nutrite alla loro base, prive di screpolature e ben combacianti con la superficie dei pezzi; dovranno poi essere liberate dalle bavature mediante scalpello curve, senza intaccare i pezzi chiodati. Per le chiodature degli elementi strutturali in acciaio dovranno altresì

2) Unioni con bulloni normali e ad attrito

Tali unioni dovranno sempre essere precedute dalla perfetta pulizia delle superfici di combaciamento, mediante sgrassaggio, fiammatura o sabbiatura a metallo bianco, secondo i casi.

Nelle unioni si dovrà sempre fare uso di rosette; nelle unioni con bulloni normali, in presenza di vibrazioni o di inversioni di sforzo, si dovranno impiegare controdadi oppure rosette elastiche.

Nelle unioni ad attrito le rosette dovranno avere uno smusso a 45° in un orlo interno ed identico smusso sul corrispondente orlo esterno, smussi che dovranno essere rivolti, nel montaggio, verso la testa della vite o verso il dado.

Per il serraggio dei bulloni si dovranno usare chiavi di manometriche a mano, con o senza meccanismo limitatore della coppia applicata; tutte comunque dovranno essere tali da garantire

una precisione non minore del 5%.

Per le bullonature degli elementi strutturali in acciaio dovranno altresì essere rispettate le disposizioni di cui ai punti 2.5, 2.6, 3.2, 3.4 e successivi del D.M. citato.

3) Unioni saldate

Tali unioni potranno essere eseguite mediante procedimenti di saldatura manuale ad arco con elettrodi rivestiti o con procedimenti automatici ad arco sommerso o sotto gas protettivo o con altri procedimenti preventivamente approvati dalla D.L.

---

In ogni caso si dovranno ottemperare le disposizioni contenute nel D.M. 14.02.1992 al punto specifico 2.3, 2.4, 3.5 e successivi.

I procedimenti dovranno essere tali da permettere di ottenere dei giunti di buon aspetto esteriore, praticamente esenti da difetti fisici nella zona fusa ed aventi almeno resistenza a trazione, su provette ricavate trasversalmente al giunto, non minore di quella del metallo base.

La preparazione dei lembi da saldate sarà effettuata mediante macchina utensile, smerigliatrice od ossitaglio automatico, e dovrà risultare regolare e ben liscia; i lembi, al momento della saldatura, dovranno essere esenti da incrostazioni, ruggine, scaglie, grassi, vernici, irregolarità locali ed umidità.

Per le saldature degli elementi strutturali in acciaio dovranno altresì essere rispettate le disposizioni di cui ai punti 2.4 e successivi del D.M. citato.

Tanto in officina quanta in cantiere, le saldature da effettuate con elettrodi rivestiti dovranno essere eseguite da saldature che abbiano superato, per la relativa qualifica, le prove richieste dalla UNI 4634; per le costruzioni tubolari si farà riferimento anche alla UNI 4633 per i giunti di testa.

Qualunque sia il sistema di saldatura impiegato, a lavorazione ultimata la superficie delle saldature dovrà risultare sufficientemente liscia e regolare e ben raccordata con materiale di base.

Tutti i lavori di saldatura dovranno essere eseguiti al riparo da pioggia, neve e vento, salvo l'uso di speciali precauzioni, saranno inoltre sospesi qualora la temperatura ambiente dovesse scendere sotto i -5° C.

#### **d) Montaggio di prova**

Per strutture o manufatti particolarmente complessi ed in ogni caso se disposto dalla D.L., dovrà essere, eseguito il montaggio provvisorio in officina; tale montaggio potrà anche essere eseguito in più riprese, purché in tali montaggi siano controllati tutti i collegamenti.

Del montaggio stesso si dovrà approfittare per eseguire le necessarie operazioni di marcatura.

Nel caso di strutture complesse costruite in serie sarà sufficiente il montaggio di prova del solo campione, purché la foratura venga eseguita con maschere o con procedimenti equivalenti.

L'Impresa sarà tenuta a modificare, a tempo debito, l'inizio del montaggio provvisorio in officina di manufatti e strutture, o relative parti, affinché la D. L. possa farvi presenziare, se lo ritiene opportuno, i propri incaricati.

I pezzi presentati all'accettazione provvisoria dovranno essere esenti da verniciatura, fatta eccezione per le superfici di contatto dei pezzi uniti definitivamente fra di loro.

Quelli rifiutati saranno marcati con un segno apposito, chiaramente riconoscibile, dopo di che saranno subito allontanati.

#### **e) Pesatura dei manufatti**

---

Sarà eseguita in officina od in cantiere, secondo i casi e prima del collocamento in opera, verbalizzando i risultati in contraddittorio, fra il D.L. e l'Impresa.

**f) Controllo del tipo e della quantità delle opere - Verifica delle strutture murarie**

L'Impresa è obbligata a controllare il fabbisogno dei vari manufatti, rilevando in posto il tipo, la quantità e le misure esatte degli stessi.

Dovrà altresì verificare l'esatta corrispondenza plano-altimetrica e dimensionale tra le strutture metalliche e strutture murarie, ciò in special modo quando i lavori in metallo fossero stati appaltati in forma scorporata.

Delle discordanze riscontrate in sede di controllo dovrà esserne data tempestivo avviso alla D.L. per i necessari provvedimenti di competenza; in difetto, o qualora anche dall'insufficienza o dall'omissione di tali controlli dovessero nascere inconvenienti di qualunque genere, l'Impresa sarà tenuta ad eliminarli a propria cura e spese, restando peraltro obbligata al risarcimento di eventuali danni.

**g) Collocamento e montaggio in opera - Oneri connessi**

L'Impresa dovrà far tracciare od eseguire direttamente, sotto la propria responsabilità, tutti gli incassi, tagli, le incamerazioni, ecc. occorrenti per il collocamento in opera dei manufatti metallici; le incamerazioni ed i fori dovranno essere svasati in profondità e, prima che venga eseguita la sigillatura, dovranno essere accuratamente ripuliti.

Nel collocamento in opera dei manufatti le zanche, le staffe e qualunque altra parte destinata ad essere incamerata nelle strutture murarie, dovranno essere murate a cemento se cadenti entro murature o simili, mentre saranno fissate con piombo fuso o con malte epossidiche se cadenti entro pietre, marmi o simili.

I manufatti per i quali siano previsti movimenti di scorrimento o di rotazione dovranno poter compiere tali movimenti, a collocazione avvenuta, senza impedimenti od imperfezioni di sorta.

Per le strutture metalliche, qualora in sede di progetto non fossero prescritti particolari procedimenti di montaggio, l'Impresa sarà libera di scegliere quello più opportuno, previo benestare della D.L.

Dovrà porre per la massima cura affinché le operazioni di trasporto, sollevamento e premontaggio non impongano alle strutture condizioni di lavoro più onerose di quelle risultanti a montaggio ultimato e tali perciò da poter determinare deformazioni permanenti, demarcature, autotensioni, ecc. Decorrendo, pertanto, le strutture dovranno essere opportunamente e provvisoriamente irrigidite.

Nel collocamento in opera dei manufatti e nel montaggio delle strutture sono compresi tutti gli oneri connessi a tali operazioni, quali ad esempio ogni operazione di movimento e stoccaggio (carichi, trasporti, scarichi, ricarichi, sollevamenti, ecc.), ogni opera provvisoria, di protezione e mezzo d'opera occorrente, l'impiego di ogni tipo di mano d'opera (anche specializzata), ogni lavorazione di

---

preparazione e di ripristino sulle opere e strutture murarie, le ferramenta accessorie e quant'altro possa occorrere per dare le opere perfettamente finite e rifinite.

#### **h) Verniciatura**

Salvo disposizioni contrarie, prima dell'inoltro in cantiere tutti i manufatti in ferro, le strutture o parti di esse dovranno ricevere una mano di vernice antiruggine; l'operazione dovrà essere preceduta da un'accurata preparazione delle superfici.

Di norma nelle strutture chiodate o bullonate, dovranno essere verniciate con una ripresa di pittura antiruggine non soltanto le superfici esterne, ma tutte le superfici a contatto (ivi comprese le facce dei giunti da effettuare in opera) e le superfici interne dei cassoni; saranno esclusi solo i giunti ad attrito, che dovranno essere accuratamente protetti non appena completato il serraggio definitivo, verniciando a saturazione i bordi dei pezzi a contatto, le rosette, le teste ed i dadi dei bulloni, in modo da impedire qualsiasi infiltrazione all'interno del giunto.

A pie d'opera, e prima ancora di iniziare il montaggio, si dovranno ripristinare tutte le verniciature eventualmente danneggiate dalle operazioni di trasporto; infine, qualora la posizione di alcuni pezzi desse luogo, a montaggio ultimato, al determinarsi di fessure o spazi di difficile accesso per le operazioni di verniciatura successive, tali fessure o spazi dovranno essere, prima dell'applicazione delle mani di finitura, accuratamente chiusi con materiali sigillanti.

A montaggio ultimato si provvederà al completamento delle operazioni di verniciatura con applicazione del numero di mani e delle vernici prescritte nelle relative voci di Elenco per le varie opere e manufatti.

Per tutto quello non specificato nel seguente articolo si rimanda alle disposizioni integrali dettate dal D.M. del 14 Febbraio 1992.

#### **1.5.10. GABBIONI E MANTELLATE DI RETE METALLICA**

Per la costruzione di gabbionate metalliche dovrà provvedersi, prima del riempimento, a cucire i singoli spigoli degli elementi in modo da ottenere le sagome previste; successivamente si procederà al collegamento degli spigoli con quelli degli elementi contigui, comprendendo nella cucitura gli eventuali fili di bordatura.

Le cuciture saranno eseguite in modo continuo, passando il filo entro ogni maglia e con un giro doppio ogni due maglie. Il filo occorrente per cuciture e tiranti dovrà avere caratteristiche non inferiori a quelle dei gabbioni.

La chiusura degli elementi dovrà essere effettuata cucendo i bordi del coperchio a quelli delle pareti con l'apposito filo per cuciture, passando il filo entro ogni maglia e con un giro doppio ogni due maglie. Nell'allestimento, unione e chiusura degli elementi è vietata ogni attorcigliatura dei filoni di bordatura.

Il materiale di riempimento dovrà essere riconosciuto idoneo dalla D.L. e le sue dimensioni dovranno essere comprese tra il 120 e 130 per cento delta maggior dimensione della maglia delta rete, sempre che questo consente di ottenere pareti piane e parallele tra loro, e spessore costante del manufatto.

---

### 1.5.11. MANTI IMPERMPEABILIZZANTI

I manti impermeabilizzanti da impiegarsi nella realizzazione delle opere di impermeabilizzazione artificiale dovranno possedere le caratteristiche fisiche riportate nello specifico articolo del presente Capitolato:

#### a) Posa in opera del manto in HDPE

Le saldature verranno eseguite (all'asciutto e a temperature  $> +5$  °C) sormontando i fogli di ca. 20 cm ed estrudendo un cordone di HDPE fuso, previa molatura delle superfici da unire e preriscaldamento dei lembi con aria surriscaldata (saldatura interposta).

Nel caso di brevi tratti di saldatura, riparazioni, raccordi, situazioni sfavorevoli, pareti a forte pendenza le saldature saranno eseguite riportando il cordone di saldatura sovrapposto al giunto (saldatura sovrapposta)

Il rapporto lunghezza saldatura/superficiale dovrà essere  $< 2$  ml/ 10 mq (senza presaldatura). Il coefficiente di saldatura dovrà essere  $> 0,9$  (riferito al carico snervamento) Le saldature verranno eseguite da specialisti patentati (di cui dovrà essere esibito il curriculum)

Il cordone di saldatura, dello stesso HDPE dei fogli, dovrà avere:

- Larghezza 40 mm
- Spessore 1 mm

#### Collaudi delle saldature dei manti in HDPE

Tutte le saldature dovranno essere collaudate dall'Appaltatore in presenza di un incaricato della D.L. come segue:

#### 1. Prove distruttive

Tali prove devono verificare che il coefficiente di saldatura sia  $> 0,9$ . Il coefficiente di saldatura è dato dal rapporto fra il carico di snervamento del provino saldato e quello del foglio originale. (Norme DVS-Dicembre 1,1982). Si eseguiranno tali provini su campioni prelevati ogni 300 metri lineari di saldature, semplici prove qualitative sono eseguibili in cantiere e saranno considerate positive se la rottura non ha luogo nell'area di saldatura.

#### 2 Prove non distruttive sul 100% delle saldature

2.1. Collaudo ad ultrasuoni: le saldature con cordolo interposto a facce parallele verranno collaudate con ultrasuoni per individuare eventuali discontinuità della saldatura stessa.

2.2. Collaudo a vista: le saldature con cordone sovrapposto di forma arrotondata. non collaudabili con ultrasuoni, verranno collaudate a vista forzando una punta metallica lungo tutta la lunghezza del cordone di saldatura.

#### b) Posa in opera del manto in PVC

Le saldature verranno eseguite (all'asciutto ed a temperature  $> +5$  °C) sormontando i fogli di almeno 5 cm.

---

La saldatura dei manti in PVC potrà essere effettuata a freddo mediante solvente tetraidrofurano, oppure ad aria calda mediante cannello LEISTER. Le saldature verranno eseguite da specialisti patentati (di cui dovrà essere esibito il curriculum).

#### Collaudi delle saldature dei manti in PVC

Tutte le saldature dovranno essere collaudate dall'Appaltatore in presenza di un incaricato della D.L. mediante lo scorrimento sulle giunzioni di una punta metallica.

#### **c) Documenti di collaudo e verbale di accettazione della posa in opera**

##### 1) Diagramma di posa

L'Appaltatore deve eseguire un diagramma di posa che descrive la disposizione dei fogli. Su tale diagramma, verranno:

- Trascritti i numeri di matricola dei fogli posati nei singoli spazi.
- Indicati i punti di prelievo dei provini di saldature.
- Indicati i punti difettosi risultanti dal collaudo non distruttivo e successivamente ripresi con saldature.

##### 2) Verbale di accettazione

La Direzione Lavori assiste alla esecuzione dei collaudi meccanici e distruttivi, ai rifacimenti dei punti difettosi ed alla compilazione delle annotazioni sul diagramma di posa e firma il verbale di accettazione del manta posato in opera.

#### **d) Garanzie**

I manti devono soddisfare i requisiti richiesti dal DPR n° 915 del 10.09.1982 e dalle norme di prima Applicazione le specifiche tecniche del Progetto.

Il fornitore garantisce per 10 anni che l'opera è priva di gravi difetti (Art. 1669 Codice Civile) e si cautela con una polizza assicurativa per risarcire eventuali danni di inquinamento per un valore adeguato al progetto.

#### **1.5.12. TESSUTO NON TESSUTO E MATERASSI DRENANTI**

I manti in tessuto non tessuto saranno utilizzati per costituire elemento di ripartizione dei carichi e/o di protezione della geomembrana.

Essi saranno posti generalmente in opera al di sotto dei punti critici della geomembrana (piegature, risvolti, zone di contatto con i manufatti ecc.), con le modalità e nelle quantità indicate negli allegati grafici di progetto

I manti saranno giuntati mediante cucitura meccanica continua, oppure con semplice sovrapposizione dei lembi contigui per una profondità non inferiore a 20 cm. per tutto lo sviluppo del manta posato.

I materassi drenanti saranno posti in opera secondo le esigenze di progetto e saranno giuntati mediante cucitura continua meccanizzata o semplice sovrapposizione per una porzione non inferiore a 25 Cm.

---

Ove si tratti di posizionarli su alte pendenze di scarpata essi saranno fissati ad intervalli regolari, stabiliti dalla D.L., alla scarpata od alla eventuale rete sottostante di protezione.

Ad ogni buon conto essi dovranno essere saldamente ancorati sulla testa della scarpata con cordoli o, dove possibile, con puntoni metallici.

### **1.5.13. TRASPORTO E ACCATAMENTO DI TUBI E PEZZI SPECIALI IN CALCESTRUZZO**

#### **a) Trasporto**

I tubi e i pezzi speciali in calcestruzzo devono essere trasportati in modo tale da non essere danneggiati dalle sollecitazioni meccaniche. Si deve perciò fare attenzione a caricare i mezzi di trasporto in condizioni di sicurezza.

I tubi vengono disposti in orizzontale, parallelamente od ortogonalmente rispetto all'asse del veicolo, oppure in verticale. Nel trasporto ferroviario si deve preferire la disposizione parallela all'asse del veicolo. Se esistono i presupposti, i tubi possono essere disposti in parecchi strati.

Si devono osservare le prescrizioni in materia di prevenzione degli infortuni e le specifiche tecniche delle ditte e delle associazioni di categoria. Durante i processi di carico e scarico, gli operatori devono portare idonee protezioni, come elmetto, guanti, scarpe rinforzate, ecc. Durante le operazioni di carico e scarico è vietato fermarsi nella zona di pericolo.

#### **b) Mezzi di trasporto**

Il mezzo di trasporto (ad es. veicolo, apparecchio di sollevamento, dispositivo di presa ed alloggiamento) deve essere adatto al trasporto del materiale.

La superficie di carico deve essere libera da residui, che potrebbero favorire lo slittamento di tubi e pezzi speciali. Il carico deve essere effettuato tenendo conto dei limiti ammissibili sia in termini di peso totale che di peso sui singoli assi del veicolo.

Il baricentro deve essere tenuto il più basso possibile. Le sponde laterali dei veicoli stradali possono essere abbassate, se le dimensioni del materiale caricato lo richiedono.

#### **c) Carico e scarico con operazioni manuali**

Se il peso del materiale lo consente, le operazioni di carico e scarico possono essere fatte manualmente. È vietato il gettito del materiale.

Il rotolamento è consentito solo con tubi rotondi, mediante adatti trasportatori a rulli (in legname squadrato). Nei tratti in pendenza, il materiale deve essere guidato con mezzi idonei, per impedire un rotolamento troppo veloce ed irregolare.

Si deve impedire l'urto contro i materiali già scaricati.; nel rotolamento si devono tenere a portata di mano dei ceppi frenanti.

---

**d) Carico e scarico con veicoli per trasporti interni**

I veicoli per trasporti interni devono essere equipaggiati con dispositivi di sollevamento e accatastamento. Nel trasporto di tubi lunghi si deve fare attenzione al loro stabile posizionamento. La superficie di transito deve essere sufficientemente solida e piana.

**e) Carico e scarico con apparecchi di sollevamento**

Apparecchi di sollevamento idonei possono essere ad es. gru, pale cariatrici ed escavatori. Essi devono essere equipaggiati con dispositivi di sollevamento e abbassamento graduate, in modo tale da impedire movimenti bruschi del carico.

**f) Carico e scarico con dispositivi di presa ed alloggiamento**

I dispositivi di presa ed alloggiamento del carico devono essere realizzati e applicati in modo tale da non compromettere la sicurezza e non danneggiare il materiale trasportato.

Possono essere utilizzati cinghie, pinze e ganci per tubi, colli di cigno, funi di acciaio e di fibra, catene ed altri dispositivi adatti. Non è ammessa l'utilizzazione di funi tirate longitudinalmente.

Non è ammesso applicare dispositivi di imbragamento ai denti del cucchiaio di escavatori e pale cariatrici.

Più tubi possono essere fissati contemporaneamente solo per mezzo di palette o simili adatti dispositivi.

Con tubi e pezzi speciali dotati di protezione interna, si devono utilizzare cinghie larghe o altri dispositivi di alloggiamento che non danneggino il rivestimento protettivo; non sono ammesse funi di acciaio senza camicia.

**g) Assicurazione del carico**

Tubi e pezzi speciali devono essere assicurati per il trasporto in modo tale da non compromettere la stabilità del carico.

Il carico viene assicurato mediante sponde, pezzi di legno, cunei e, in caso di necessità, mediante reggiature addizionali con catene di ancoraggio, cinghi o funi di acciaio.

I mezzi per assicurare il carico devono essere applicati in modo tale da evitare sollecitazioni concentrate in punti singoli. Si deve fare attenzione che catene, cinghie e funi di acciaio siano ben tesi.

I cunei devono essere assicurati su legni squadrati o direttamente sulle superfici del carico.

Nel caso di accumulo dei tubi in strati sovrapposti, i tubi dello strato superiore possono essere disposti sopra tavole di legno squadrato, oppure nelle selle ricavate tra i tubi dello strato inferiore. Le tavole in legno devono essere disposte il più possibile una accanto all'altra ed assicurate con cunei anche nella parte inferiore.



---

I cunei devono essere applicati alle tavole di legno in modo tale che non si possano muovere. Prima dell'uso, tavole e cunei devono essere accuratamente ispezionati.

#### **h) Trasporto**

Nei trasporto su strada, la velocità deve essere fissata in relazione alle condizioni di traffico ed alle caratteristiche del carico e del veicolo onde poter garantire l'assoluta integrità dei condotti.

#### **i) Deposito e accatastamento**

Tutti i pezzi speciali devono essere depositati ed accatastati in modo tale da non essere danneggiati. Le cataste di tubi devono essere assicurate contro il pericolo di caduta per rotolamento.

La stabilità delle fosse di scavo non deve essere messa in pericolo dal materiale depositato o accatastato. A tal fine, si deve lasciar libera una striscia di almeno 60 cm. di larghezza lungo le fosse di scavo.

#### **1) Difesa contro effetti meccanici**

Sia nel deposito di singoli tubi che nell'accumulo in cataste, si deve tener conto della resistenza statica dei tubi, evitando in particolare sollecitazioni unilaterali sui bicchieri.

Come supporto inferiore si devono usare il più possibile tavole di legno; come supporti intermedi legno, trucioli di legno, funi e simili.

#### **m) Difesa contro effetti di temperatura**

Tutti i pezzi speciali in calcestruzzo devono essere protetti contro dannosi influssi della temperatura, in particolare quando sono stati protetti con rivestimenti a base di catrame.

Nel caso in cui tubi e pezzi speciali debbano essere depositati all'aperto in condizioni di gelo, ci si deve preoccupare che non gelino con il suolo e non si raccolga acqua al loro interno.

### **1.5.14. POSA IN OPERA DEI CAVI**

#### **a) Posa**

Sul fondo dello scavo, adeguatamente preparato, verrà steso uno strato di sabbia dello spessore di circa 15cm.

Prima della posa, si dovrà verificare che i cavi non mostrino danneggiamenti; calandoli nella fossa, poi, si dovrà procedere con la cura necessaria a non rovinare il letto di posa predisposto

Non si procederà in alcun caso al rinterro se prima non sia stata controllata la corretta posizione della canalizzazione mediante esami condotti con funi, traguardi, tabelle di mira, apparecchi di livellazione, o con altri idonei mezzi.

#### **b) Rinterri**

---

Per il riempimento dei cavidotti si adopereranno i materiali provenienti dagli scavi, riconosciuti idonei dalla Direzione dei Lavori, che si trovano depositati lungo la trincea o in luoghi di deposito qualunque sia lo stato di costipamento delle materie stesse.

Il primo stralcio, fino ad un' altezza di ricoprimento di circa 20 cm sulla generatrice superiore del cavo, sarà realizzato ancora con sabbia vagliata.

Il riempimento successivo, da eseguirsi appena ultimato e compattato lo strato precedente, sarà eseguito per strati successivi di altezza non maggiore di 30 cm., regolarmente spianati e bagnati ed accuratamente compattati fino a superare il piano di campagna con un colmo di altezza sufficiente a compensare gli assestamenti che potranno aversi successivamente.

Qualora le materie di scavo fossero costituite da pietrame o da frammenti rocciosi di dimensioni maggiori di 10 cm., questi saranno messi in opera a mano nella parte di rinterro superiore a quello di prima copertura, in guisa da evitare, col loro getto alla rinfusa, i danneggiamenti dei cavi.

Gli spazi vuoti saranno riempiti con terre minute anche se dovranno essere trasportati da siti più lontani.

In nessun caso il rinterro totale dovrà risultare inferiore alla profondità di scavo, e se per raggiungere tale scopo non bastasse il materiale scavato e depositato lateralmente, l'Appaltatore dovrà provvedere a tutte sue cure e spese agli eventuali trasporti longitudinali ovvero a prelevarlo e trasportarlo da cave di prestito.

Dette cave dovranno essere aperte a tutte cure e spese dell'assuntore e dovranno essere mantenute in modo che non si abbiano a verificare in esse ristagni di acqua.

Allorché per raggiungere la necessaria altezza di ricoprimento dei cavi, che sarà ordinata dalla Direzione dei Lavori, occorresse spingere il rilevato al di sopra del piano naturale di campagna, questo sarà sagomato a sezione trapezoidale con scarpe ben profilate di adatta inclinazione, secondo le prescrizioni che saranno impartite all'atto pratico dalla Direzione dei Lavori.

Il materiale di rinterro dovrà comunque essere sistemato in modo da superare il piano di campagna con un colmo di altezza sufficiente a compensare gli assestamenti che potranno aversi successivamente.

Se, anche dopo aver raggiunto la minima altezza di ricoprimento sulla generatrice superiore dei cavi restasse ancora il materiale, questo - ad eccezione di quando possa essere necessario per eventuali successivi ricarichi - dovrà essere rimosso, a tutte cure e spese dell'Appaltatore.

#### **1.5.15. PALIFICAZIONI**

Per il dimensionamento, l'esecuzione della posa in opera ed il collaudo dei pali si dovrà tener conto delle disposizioni di cui al DM 18 Gennaio 2018.

---

**a) Palificazioni in legno**

I pali in legno per fondazione, cioè quelli destinati a reggere direttamente una fondazione saranno esclusivamente di quercia, rovere, larice rosso, di pino rosso, di ontano o di castagno secondo che sarà ordinato dalla Direzione dei Lavori, diritti sani e scortecciati e debitamente congruati alla superficie.

Il diametro dei pali è misurato sul mezzo della loro lunghezza.

I pali debbono essere battuti fino a rifiuto col maglio di idoneo peso (il peso del maglio deve essere stabilito in relazione alle dimensioni e peso dei pali ed alla natura del terreno).

Il rifiuto si intende raggiunto quando l'affondamento prodotto da un determinato numero di colpi di maglio (volata) caduti successivamente dalla medesima altezza, non superi il limite stabilito dalla Direzione dei Lavori.

Le ultime riprese debbono essere sempre battute in presenza di un incaricato della Direzione dei Lavori, né l'appaltatore può in alcun caso recidere un palo senza che ne abbia ottenuta autorizzazione dall'incaricato della Stazione Appaltante preposto all'Alta Sorveglianza dell'opera.

Dal detto agente è tenuto uno speciale registro da firmarsi giornalmente dall'incaricato dell'appaltatore, nel quale registro notata la profondità raggiunta da ogni palo giuste le constatazioni che debbono essere fatte in contraddittorio, ed il rifiuto presentato dal palo stesso e quindi il carico che ogni palo può sostenere.

I pali debbono essere debitamente foggiate a punta ad un capo, e se si stimerà necessario dal

Direttore dei Lavori, muniti di cuspidi di ferro, con o senza punta di acciaio, di quel peso e forma che sarà stabilito; all'altro capo, sottoposto ai colpi di maglio, debbono essere opportunamente accomodati e muniti di cerchiatura o viera di ferro che impedisca durante la battitura ogni spezzatura o guasto.

Ogni palo che si spezzasse durante l'infissione o deviasse, deve, secondo sarà richiesto dall'Ing. Direttore dei Lavori, tagliato o svelto e surrogato da altro a spese e cure dell'appaltatore.

L'appaltatore è obbligato a mettere in opera tanti battipali, quanti ne permetterà lo spazio disponibile e quanti ne potrà esigere una buona e sollecita esecuzione dei lavori.

Quando la testa dei pali debba essere spinta sotto acqua, può l'Ing. Direttore dei Lavori permettere l'uso di un contropalo di conveniente lunghezza e diametro munito di perno di ferro, per la sua temporanea unione col palo che deve essere infisso.

**b) Palificazione con pali in cemento armato formati fuori opera**

Per la confezione dei pali fuori opera si seguiranno le norme stabilite per i lavori in cemento armato; si aggiunge soltanto che la preparazione dei pali dovrà farsi di massima in forme verticali battendo il conglomerato a piccoli strati orizzontali e che i pali stessi dovranno essere muniti di puntazze metalliche robustamente ancorate al conglomerato di cemento.

---

La infissione di questi pali si farà d'ordinario secondo i sistemi in uso per i pali in legname. Soltanto i magli dovranno essere di peso non inferiore al peso dei pali, e speciali cautele saranno adottate per impedire la spezzatura delle teste, collocandovi sopra prismi e segatura di legname entro cerchiature di ferro ed attuando quelle altre disposizioni che all'atto pratico fossero ritenute necessarie, a giudizio del Direttore dei Lavori.

Per ottenere un più facile affondamento, specialmente nei terreni sabbiosi e ghiaiosi, la infissione, oltre che con la battitura, potrà farsi col sussidio dell'acqua in pressione, facendo arrivare, mediante un tubo metallico oppure da apposito foro lasciato lungo l'asse di ogni palo, un getto di acqua a pressione sotto la punta del palo.

Gli ultimi colpi di assestamento dovranno però essere dati col solo maglio.

Se durante l'infissione si verificasse in qualche palo lesioni, scheggiature, guasti di qualsiasi genere o deviazione che a giudizio dell'Ing. Direttore dei Lavori non fossero tollerabili, il palo stesso deve essere rimosso e sostituito da altro palo a totali spese dell'appaltatore.

### **c) Palificazione con pali battuti formati in opera**

I pali battuti formati in opera, del tipo Simplex e derivati, Franchi, etc., saranno eseguiti conficcando nel terreno con uno dei sistemi in uso, o speciali brevettati, un tubo forma, del diametro corrispondente a quello del palo che si vuole costruire, sino a raggiungere la profondità necessaria per ottenere il rifiuto corrispondente al carico che il palo deve sostenere, quale risulta dai calcoli.

I tubi metallici saranno provvisti all'estremità inferiore di puntazze di ghisa o di cemento armato o di acciaio atte a garantire la chiusura stagna durante la battitura, e di tipo da abbandonarsi sul terreno.

Per la battitura dei tubi forma i magli non dovranno essere inferiori al peso di kg 2000 per tubi del diametro di m 0,45 e kg 1.200 per tubi del diametro di cm 30.

Raggiunta la profondità necessaria, il tubo forma verrà riempito con conglomerati cementizio (composto con inerti del volume di mc 1.200 complessivamente avente una granulometria che dovrà essere stabilita a priori mediante apposita prova di laboratorio, in mancanza di tale determinazione la composizione potrà essere fissata in mc 0,800 di ghiaia o pietrisco e mc 0,400 di sabbia per mc di conglomerato) e ql 3,50 di cemento che potrà essere del tipo 500 o del tipo 680, battuto e compresso secondo l'uso, o sistemi brevettati riconosciuti idonei dalla Direzione dei Lavori.

A richiesta della Direzione dei Lavori, detti pali potranno essere armati per l'intera lunghezza o per parte di essa, mediante opportuna ingabbatura metallica da collocarsi nel tubo forma, prima del getto del conglomerato.

Per tutti i pali formati in opera, e quando non siano completamente armati, il collegamento fra teste dei pali e le strutture superiori avverrà mediante una armatura longitudinale costituita da un minimo di 4 tondini la cui area complessiva non dovrà essere inferiore a 0,6% dell'area del conglomerato, estesa nel palo per una lunghezza non inferiore a quattro volte il diametro interno del tubo forma e

---

nella struttura superiore per una lunghezza non inferiore a 40 volte il diametro del ferro impiegato.

Detti ferri dovranno essere muniti, alla sola estremità superiore, da ganci, come da regolamento, la cui lunghezza non dovrà essere compresa nel calcolo dei 40 diametri suaccennato.

L'armatura longitudinale così descritta potrà essere staffata su disposizione della Direzione dei Lavori da una armatura trasversale a spirale continua del diametro minimo di mm 6 e con passo massimo corrispondente a 20 volte il diametro della armatura longitudinale.

Tanto per i pali trivellati come per quelli formati in opera, la battitura del conglomerato deve essere sorvegliata da agenti della amministrazione i quali dovranno segnare su apposito registro, in contraddittorio, le massime profondità raggiunte, il quantitativo di conglomerato posto in opera, etc.

L'appaltatore non potrà porre in opera le armature in ferro, né effettuare il versamento del conglomerato senza aver fatto prima constatare le profondità raggiunte ed i quantitativi di conglomerato e di ferro impiegati. In difetto di ciò saranno a suo carico tutti gli oneri e le spese occorrenti per i controlli ed accertamenti che la Direzione dei Lavori riterrà insindacabilmente indispensabili.

Per la confezione ed il getto del conglomerato cementizio varranno le norme stabilite negli articoli che seguono relativi alla esecuzione delle opere in cemento armato.

Per la esecuzione del bulbo od espansione di base, dopo raggiunta con l'estremità inferiore del tubo la quota stabilita, senza ritirare o sollevare il tubo formeranno si verseranno piccole quantità di conglomerato e le si comprimeranno energicamente con maglio del peso non inferiore a quello del maglio impiegato per la battitura del tubo-forma sino ad ottenere, sotto l'azione di una volata di 10 colpi di maglio aventi una caduta libera di m 1,50, un rifiuto non maggiore di quello indicato dal Direttore dei Lavori in relazione alla natura del terreno.

Si procederà poi alla esecuzione del fusto sollevando gradatamente il tubo con tutti gli accorgimenti necessari per non abbandonare il calcestruzzo ed evitare l'introduzione dell'acqua.

Al di sotto delle strutture di collegamento delle testate dei pali dovrà eseguirsi un getto di calcestruzzo magro (200 Kg. per metro cubo) dello spessore minimo di 115 del diametro di tubo forma.

L'interasse dei pali, salvo nei casi particolari da ordinarsi dalla Direzione dei lavori (ad es. quando la palificazione debba servire anche al compito di paratia) non dovrà essere inferiore a 3 diametri. Per i pali battuti la portanza del Palo verrà calcolata con la formula del Brix applicando un adeguato coefficiente di sicurezza da stabilite dalla Direzione dei Lavori dopo rilevate le caratteristiche geognostiche del terreno e basandosi sui risultati di una preventiva prova di carico eseguita su uno o più pali pilota.

In ogni caso, la portata di esercizio non dovrà mai provocare nel calcestruzzo alla testa del palo (la cui superficie sarà considerata corrispondente a quella del tubo forma) una sollecitazione superiore a 40 chilogrammi per cmq quando sia usato conglomerato confezionato con ql. 3,50 di cemento tipo 504 per me di impasto e kg 50 per cmq quando, con lo stesso dosaggio, sia impiegato cemento tipo 680.

---

Precisate all'atto esecutivo le condizioni geognostiche del terreno nel quale sono da eseguire le palificate, a palificata ultimata dovranno eseguirsi, delle prove di carico su singoli pali.

Tali prove ordinate dalla Direzione dei Lavori, saranno eseguite a cure e spese dell'impresa su almeno

il 2% dei pali interessanti la medesima opera, e dovranno dimostrare il buon comportamento del palo sotto un carico massimo pari a due volte la portata prefissata e mantenuto per 24 ore.

Il recupero del cedimento durante lo scarico non dovrà essere inferiore ad 1/3 del cedimento totale misurato. Nel caso di opere d'arte aventi un numero di pali inferiore a 50, la prova di carico dovrà essere effettuata su di un palo scelto dalla Direzione dei Lavori.

#### **d) Palificazione eseguita in opera con tubo infisso (pali trivellati)**

Per i pali eseguiti in opera con tubi infissi mediante trivellazione, con procedimento quindi che non modifica le proprietà meccaniche e la consistenza in genere del terreno entro il quale verrà eseguito il getto del conglomerato, si eseguirà la perforazione del terreno facendo scendere via via un tubo metallico (tubo forma) con elemento di estremità con ghiera tagliente, di diametro uguale a quello teorico del Palo.

Il tubo metallico, ove non sia di un sol pezzo, dovrà essere formato con elementi filettati che assicurano la perfetta direzione del palo e garantisca la perfetta coassialità.

Comunque dovrà essere possibile applicare all'estremità superiore un coperchio con presa per tubazione ad aria compressa ove occorresse adoperarlo o per espellere l'acqua o per provvedere con tale metodo all'esecuzione e costipamento della base e prima tronco del fusto sino a che non vi sia più introduzione di acqua.

Si dovrà avere la possibilità di proseguire la perforazione mediante appositi scalpelli quando si incontrano trovanti e vecchie murature.

Quando sia stata raggiunta la profondità voluta, si fermerà l'affondamento del palo e senza sollevarlo o ritirare il tubo e messa in opera la gabbia metallica se questa sia prevista per tutta la lunghezza, si inizierà la formazione della base gettando con una benna (chiusa all'estremità inferiore da una valvola automatica) o con altro sistema idoneo piccole e successive quantità di calcestruzzo e costipandole o mediante battitura (con maglio di peso variabile da ql. 12 per tubi del diametro di cm 45, a ql. 6 per tubi del diametro di cm 30) o con una dei pistoni in uso.

Prima di procedere al getto sarà resa stagna la estremità inferiore del tubo provvedendo alla costruzione di un tappo di conglomerato alla base del palo e sarà estratta l'acqua eventualmente penetrata nel tubo.

La sbulbatura di base ottenuta con la pisonatura del calcestruzzo od in qualsiasi altro modo che la natura del terreno e le modalità di esecuzione possono consigliare, sarà la maggiore possibile.

Eseguita la base, si procederà poi alla esecuzione del fusto mediante piccole successive introduzioni di calcestruzzo per tratti di altezza conveniente, in relazione alla natura del terreno, e sollevando

---

gradatamente il tubo-forma metallico, in modo tale che restino net tuba almeno 50 cm di conglomerato, senza abbandonarlo mai in modo da evitare che net tubo si introducano acqua o terra; dopo il getto di ciascuno dei tratti si procederà al costipamento del calcestruzzo o con battitura con una dei sistemi brevettati e dalla Direzione dei Lavori riconosciuto idoneo in relazione alla lunghezza dei pali.

Nel caso di attraversamento di vene dilavanti si effettuerà l'incamiciatura del tratto di palo con un controtubo di lamierino leggero esterno al tubo forma, che verrà lasciato in posto. Cura particolare dovrà usarsi affinché non si verificano soluzioni di continuità net getto di calcestruzzo, in particolare quando il costipamento avviene per pestonatura e ciò specialmente al momento della sfilatura del tuba forma.

In presenza di terre sciolte in acqua potrà procedersi al getto del conglomerato per maggiori altezze, senza pestonamento al fine di evitare sifonamenti net tubo.

Per i pali trivellati la portata limite verrà determinate in sede di progetto in relazione alle caratteristiche geognostiche degli strati attraversati e con l'uso di formule ben conosciute (Dorr, Cagnot, Kerisel o altre) considerando nella sua probabile realtà l'attrito laterale. La portata di esercizio sarà data dalla portata limite divisa per il coefficiente di sicurezza derivante dalla formula usata. La effettiva portata verrà valutata all'atto esecutivo mediante prove di carico su prototipi.

Per le prove di carico si terranno presenti le norme e prescrizioni indicate per i pali battuti formati in opera.

#### **e) Micropali**

I micropali saranno eseguiti mediante trivellazione a rotazione o rotopercolazione a mezzo di speciale attrezzatura atta a consentire l'esecuzione del palo con una prevista inclinazione in terreno di qualsiasi natura e consistenza, compresa la roccia.

A trivellazione compiuta si procederà al getto che sarà eseguito ad aria compressa con l'aiuto di apposita testa di tenuta con estrazione graduale del tubo forma.

L'impasto sarà dosato con b q.li/mc di cemento 425 per me di sabbia vagliata e con eventuale aggiunta di sostanze speciali per rendere l'impasto fluido. Il getto dovrà essere compatto e privo di vuoti.

#### **f) Tiranti di ancoraggio**

Sono costituiti da elementi orizzontali o sub-orizzontali di collegamento fra parade ed il terreno retrostante, aventi lo scopo di assorbire le spinte da monte, per consolidamento di opere preesistenti e contenimento di masse di terreno instabile.

I tiranti sono costituiti da nuclei di acciaio ad elevato limite elastico tipo c.a.p., formati con fili, trecce, trefoli, barre, alloggiati in appositi fori dove sono avvolti da malta cementizia ed ancorati saldamente al terreno mediante la parte terminate (bulbo): sono sottoposti ad adeguata tensione preventiva attraverso l'apposita testata di ancoraggio.

---

I fori del diametro di 154 mm. e di lunghezza fino a 30 m, saranno eseguiti con sonde a rotazione o a rotopercolazione, con rivestimento se necessario e con eventuale impiego di fanghi bentonitici; le iniezioni di adatta miscela dovranno assicurare da prima la formazione del bulbo terminale e quindi il rivestimento della parte libera, sino alla testata.

La pretensione da applicare ai tiranti sarà effettuata solo dopo sufficiente maturazione del bulbo di ancoraggio (28 giorni dall'ultima iniezione, o meno secondo il tipo di miscela), e dovrà raggiungere un valore finale pari a  $1,15 T$ , dove  $T$  è la capacità utile della pretensione definita nello 0,55 della trazione corrispondente all'allungamento permanente dello 0,2%; l'aumento del 15% è previsto per assorbire la caduta di tensione per rilassamento.

Prima di iniziare la tesatura di ogni singolo tirante, saranno tirati singolarmente e con forza opportuna gli elementi componenti, per eliminare le eventuali differenze di lunghezze nella parte libera; la tensione finale al valore di carico verrà raggiunta per successivi incrementi di 0,25  $T$  e con un'ultima quinta fase di tiro, pari allo 0,15  $T$ , di cui sopra si è detto.

Per alcuni tiranti (uno ogni 10 o frazioni) scelti dalla Direzione Lavori, si dovranno lasciare accessibili le teste di ancoraggio, per eventuali controlli o ritature.

In caso di cedimenti all'atto del tiro, saranno sospese le operazioni per riprendere le iniezioni del bulbo di ancoraggio.

Le altre norme da applicare per il controllo degli acciai, per l'esecuzione delle iniezioni e della tesatura, ecc. sono le stesse del D.M. 14.02.1992 e successivi aggiornamenti emanati in applicazione dell'art. 21 della Legge 511111971 n. 1086.

Le opere murarie interessate dai descritti tiranti di ancoraggio saranno costituite in precedenza, o potranno venir eseguite mano a mano che i tiranti si realizzano; le relative modalità esecutive così come quelle per la loro misurazione e valutazione sono riportate nei rispettivi articoli.

#### **g) Ordine da tenersi nell'andamento dei lavori**

Prima di dare inizio ai lavori l'Impresa è tenuta ad informarsi presso i proprietari se eventualmente nelle zone nelle quali ricadono le opere esistano cavi sotterranei (telefonici, telegrafici, elettrici) o condutture (acquedotti, fognature, metanodotti, etc.).

In caso affermativo l'Impresa dovrà comunicare agli Enti proprietari di dette opere la data presumibile della esecuzione dei lavori nelle zone interessate chiedendo altresì tutti quei dati (ubicazione, profondità, etc.) necessari al fine di mettersi in grado di eseguire i lavori con quelle cautele opportune per evitare danni alle accennate opere.

Qualora, una volta riconosciuta l'esatta ubicazione di dette opere, ad insindacabile giudizio della Direzione dei Lavori, si ritenesse indispensabile lo spostamento di alcune di queste che necessariamente intralciano o la cui posizione non è compatibile con la realizzazione delle opere previste in progetto si procederà al loro spostamento, dandone avviso ai rispettivi proprietari.

Qualsiasi opera che verrà danneggiata ed il cui spostamento non sarà stato preventivamente concordato con la Direzione dei Lavori, sarà ripristinata a spese della Ditta appaltatrice. Nei



---

confronti dei proprietari delle opere danneggiate l'unica responsabile rimane l'Impresa, rimanendo del tutto estranea l'Amministrazione da qualsiasi vertenza, sia essa civile che penale.

Nella demolizione si dovrà avere particolare attenzione a non deteriorare quei materiali o manufatti che possono ancora, a giudizio della Direzione dei Lavori, impegnarsi utilmente sottopena di rivalsa danni verso la Ditta appaltatrice.

In genere l'Appaltatore avrà facoltà di sviluppare i lavori nel modo che crederà più conveniente per darli perfettamente compiuti nel termine contrattuale, purché essa, a giudizio della Direzione, non riesca pregiudizievole alla buona riuscita delle opere.

La Stazione Appaltante si riserva in ogni modo il diritto di ordinare l'esecuzione di un determinato lavoro entro un prestabilito termine di tempo o di disporre l'ordine di esecuzione dei lavori nel modo che riterrà più conveniente, specialmente in relazione alle esigenze dipendenti dalla esecuzione di opere ed alla consegna delle forniture escluse dall'appalto, senza che l'Appaltatore possa rifiutarsi o fame oggetto di richiesta di speciali compensi.

#### **1.5.16. LAVORI DIVERSI NON SPECIFICATI NEI PRECEDENTI ARTICOLI**

Per tutti i materiali, le forniture e le categorie di lavoro previste nei prezzi di Elenco, ma non specificate

o descritte negli articoli precedenti, si applicheranno integralmente, per quanto applicabili, le norme

di accettazione e le modalità di esecuzione (nonché i criteri di misurazione) prescritte negli articoli

di pertinenza del "Capitolato Speciale tipo per appalti di lavori edilizi" stampato dalla Tipografia dello Stato a cura del Ministero dei LL.PP., ultima edizione, nonché tutte le norme legislative successivamente emanate a modifica delle stesse materie.

---

# OPERE ELETTRICHE

---

## INDICE

<b>1. DATI DI PROGETTO.....</b>	<b>4</b>
<b>2. CARATTERISTICHE GENERALI DELLE OPERE.....</b>	<b>5</b>
<b>3. OPERE CIVILI.....</b>	<b>5</b>
3.1 CAVIDOTTI.....	5
3.2 STAZIONE DI TRASFORMAZIONE E DI CONSEGNA 30/36 kV.....	7
<b>4. OPERE DI ELETRIFICAZIONE.....</b>	<b>7</b>
4.1 ELETTRDOTTO MT.....	8
4.1.1 Cavo.....	8
4.1.2 Segnalazione della presenza dei cavi.....	9
4.1.3 Giunzioni e terminazioni MT.....	9
4.1.4 Tubazioni.....	9
<b>5. SOTTOSTAZIONE DI TRASFORMAZIONE E CONSEGNA 30/36 kV.....</b>	<b>10</b>
5.1 Sezione 36 kV.....	11

---

## 1. DATI DI PROGETTO

<b>DATI TECNICI</b>	
Potenza nominale dell'impianto	48,00 Mwe
Range di tensione in corrente continua in ingresso ai trasformatori di ciascuna torre	< 1000 V
Tipo di intervento richiesto: Descrizione della rete di collegamento Tensione nominale (Un) Vincoli della Società Distributrice da rispettare	MT neutro isolato Trasporto 30.000 V - Consegna 36 kV Normativa Terna ed Enel
Misura dell'energia	Contatore proprio nel punto di consegna per misure GSE Contatore proprio e UTF sulla MT per la misura della produzione
Punto di consegna	SSE 380/36kV PALMORI

---

## **2. CARATTERISTICHE GENERALI DELLE OPERE**

Le opere oggetto della presente, avranno le seguenti caratteristiche generali:

- potenza nominale del parco eolico: 48,00 MW;
- n. 1 sottostazione elettrica di trasformazione 30/36 kV (SET UTENTE-SE) da collegare in antenna alla SSE "PALMORI";
- rete elettrica interna alle aree di centrale, 30 kV.
- rete elettrica esterna alle aree di centrale, 36 kV.

## **3. OPERE CIVILI**

### **3.1 CAVIDOTTI**

Saranno eseguiti scavi a sezione ridotta e obbligata di profondità 120 cm salvo particolari situazioni che dovessero verificarsi in corso d'opera.

Si procederà quindi con:

- posizionamento allettamenti in sabbia di cava lavata;
- posa dei cavi MT ad elica e del conduttore di terra;
- riempimento con sabbia di cava lavata;
- posizionamento di eventuali tegolini di tipo prefabbricato in C.A.V. o similare di protezione e individuazione;
- posa di uno o più nastri segnalatori;
- rinterro con materiale arido proveniente dagli scavi, preventivamente approvato dalla D.L., per gli attraversamenti di terreni agricoli; rinterro con conglomerato cementizio classe Rck 150 con inerti calcarei o di fiume nel caso di attraversamenti zone carrabili;
- eventuale ripristino della pavimentazione stradale nel caso di attraversamenti di strade asfaltate.

---

### **3.2 STAZIONE DI TRASFORMAZIONE E DI CONSEGNA 30/36 kV**

Tutti i componenti della stazione saranno ubicati all'interno delle relative recinzioni insieme con gli apparati di controllo e protezione della stazione; un edificio chiuso ospiterà le celle di misura, controllo e protezione.

Per l'esecuzione del progetto sono necessarie le seguenti opere civili:

- recinzione perimetrale del tipo "a pettine" in cemento armato, costituita da elementi prefabbricati di altezza 2,40 m circa fuori terra a sezione trapezoidale;
- strutture di fondazione degli apparati elettromeccanici costituite da travi, platee e plinti in cemento armato;
- reti di cavidotti interrati;
- pavimentazioni dei piazzali con bitume per le parti carrabili e inghiaiate per le restanti.

## **4. OPERE DI ELETRIFICAZIONE**

Tutti i materiali impiegati nella realizzazione dei lavori dovranno essere conformi alle prescrizioni indicate nella presente specifica tecnica, nelle norme CEI, alle dimensioni unificate secondo le tabelle UNEL e provvisti del marchio IMQ (quando ammessi al regime del marchio) e marchio CE. Essi dovranno essere nuovi di costruzione e dovranno inoltre essere scelti per qualità e provenienza di primarie case costruttrici e fra quanto di meglio il mercato sia in grado di fornire.

Particolare attenzione dovrà essere posta nella scelta delle apparecchiature in considerazione anche della continuità del servizio e della facilità di manutenzione.

---

## 4.1 ELETTRODOTTO 30/36 kV

### 4.1.1 Cavo

Dovranno essere impiegate terne di cavi cordati ad elica visibile con isolamento estruso, tipo ARE4H4H5EX 18/30 kV per linee 30 kV

Id. WTG	n° turbine collegate	lunghezza linea MT (ml)	Ic (A)	Sez. cavo (mmq)	n° cavi in trincea	In (A)	Delta P (kW)
da Id. A1 a A2	1	2770	115,61	95	1	251	33,55
da Id. A2 a A3	2	2420	231,21	185	2	303,24	60,21
da Id. A3 a A4	3	3800	346,82	400	2	399,6	98,39
da Id. A4 a SE	4	4910	462,43	630	2	517,26	143,49
da Id. A7 a A8	1	3070	115,61	95	1	251	37,19
da Id. A8 a A6	2	4540	231,21	185	2	303,24	112,96
da Id. A6 a SE	3	4620	346,82	400	2	399,6	119,62
da Id. A5 a SE	1	2825	115,61	95	1	251	34,22

Dovranno essere impiegate terne di cavi cordati ad elica visibile con isolamento estruso, tipo ARE4H5E 20.8/36 kV per linee 36 kV

Collegamento SE/SSE	n° turbine collegate	lunghezza linea MT (ml)	Ic (A)	Sez. cavo (mmq)	n° cavi in trincea	In (A)	Delta P (kW)
36 kV	4	15013	385,36	400	2	402,36	479,88
36 kV	4	15013	385,36	400	2	402,36	479,88

Il conduttore è in alluminio a corda rigida rotunda e compatta di cui alla norma CEI 20-29.

Tra il conduttore e l'isolante è interposto uno strato di semiconduttore estruso, di spessore minimo 0,3 mm.

L'isolante è in polietilene reticolato (XPLE) rispondente alle norme HD 620 SIX8 e CEI 20-13.

Tra l'isolante e lo schermo metallic è interposto uno strato semiconduttore estruso, di spessore compreso fra 0,3 e 0,6 mm, che a sua volta, è coperto da un nastro semiconduttore (eventuale)

---

realizzato con nastri avvolti con sormonto min. 25%. Lo schermo metallico esterno è costituito da fili di rame ricotto non stagnato disposti secondo un'elica unidirezionale o a senso periodicamente invertito, con nastro equalizzatore di rame non stagnato oppure uno o più fili di rame disposti longitudinalmente. Il rivestimento protettivo esterno è una guaina in PVC di qualità Rz/ST2 di colore rosso.

Il cavo suddetto è definito a campo radiale in quanto, essendo ciascuna anima rivestita da uno schermo metallico, le linee di forza elettriche risultano perpendicolari agli strati dell'isolante.

#### **4.1.2 Segnalazione della presenza dei cavi**

All'interno dello scavo, al fine di evitare danneggiamenti, è prevista la posa di un nastro di segnalazione in polietilene rosso riportante indicazioni in merito alla presenza dei cavi elettrici in media tensione e la loro tensione nominale; in questo modo si faciliterà l'individuazione degli stessi da parte di terzi durante l'esecuzione di scavi nelle immediate vicinanze dell'elettrodotto.

Il suddetto nastro dovrà essere posato lungo il percorso dei cavi sotto la pavimentazione, a non meno di 20 cm dal tegolino di protezione più alto.

Nell'attraversamento di aree private fino all'imbocco delle strade pubbliche dovrà essere segnalata la presenza dell'elettrodotto interrato posizionando opportuna segnaletica (ad esempio paline indicanti la presenza dei cavi MT).

#### **4.1.3 Giunzioni e terminazioni MT**

Per le giunzioni elettriche si devono utilizzare giunti in materiale retraibile con connettori di tipo a compressione dritti o del tipo a rottura, adatti alla giunzione di cavi in alluminio ad isolamento estruso con ripristino dell'isolamento.

Per la terminazione dei cavi scelti e per l'attestazione sui quadri in cabina ed in sottostazione si devono applicare terminali unipolari per interno con isolante in materiale retraibile e capicorda di sezione idonea.

#### **4.1.4 Tubazioni**

In casi particolari e secondo la necessità la protezione meccanica potrà essere realizzata mediante tubazioni di materiale plastico (PVC), flessibili, di colore rosso, di diametro nominale 160 mm o 200 mm, a doppia parete con parete interna liscia, rispondenti alle norme CEI EN 50086-1 e CEI EN 50086-2-4 e classificati come normali nei confronti della resistenza all'urto.



---

## 5. SOTTOSTAZIONE DI TRASFORMAZIONE E CONSEGNA 30/36 kV

Per poter procedere alla messa in esercizio del parco eolico è necessario poter effettuare, in parallelo con la rete di Trasmissione Nazionale, un'ulteriore sezione di trasformazione 30/36 kV. Tutte le apparecchiature sono dimensionate per sopportare la tensione massima nominale a frequenza industriale della sezione a 36 kV nel rispetto delle specifiche Terna. Inoltre il valore previsto, in base al quale vengono dimensionate le stesse, per la corrente nominale di corto circuito trifase, per le diverse sezioni di impianto, è di 31,5 kA. La durata nominale di corrente corto circuito trifase prevista è di 1 s.

Dal punto di vista meccanico, le apparecchiature sono dimensionate in modo da poter sopportare in sicurezza le sollecitazioni meccaniche e termiche derivanti da tali correnti di corto circuito, in conformità a quanto indicato dalle Norme EN 61936-1 ed EN 50522. La stazione si collegherà alla RTN mediante la sezione a 36 kV della stazione elettrica di Terna in agro di Lucera (FG).

La sottostazione include:

- n.1 cabina di raccolta in cui confluiranno i cavidotti provenienti dai diversi aerogeneratori;
- n. 1 cabina di connessione.

All'interno della cabina di connessione e di smistamento di impianto saranno presenti i quadri a 30 kV, a 0,4 kV e a bassissima tensione, necessari per il trasporto dell'energia prodotta nonché per l'alimentazione dei carichi ausiliari dell'impianto.

Anche nel caso delle apparecchiature a 30 kV, installate nella cabina principale, i quadri saranno a semplice sistema di sbarre, dovranno essere esenti da manutenzione, assemblati in fabbrica, testati con prove specifiche.

La capsula di contenimento delle apparecchiature primarie del quadro 30 kV sarà in atmosfera SF<sub>6</sub> e classificata come "*sistema in pressione sigillato*", in accordo con lo Standard IEC [sealed pressure system according to IEC 62271-1 clause 3.6.6.4]; internamente saranno montati i TA ed i TV (con tensione di isolamento adeguata) per la lettura fiscale dell'energia prodotta nonché il relativo contatore fiscale MID; i dispositivi di protezione abbinati agli interruttori di protezione installati nelle cabine di smistamento dovranno colloquiare con le protezioni presenti lato stazione elettrica Terna.

Nei particolari il Quadro con tensione di isolamento fino a 36 kV, sarà costruito secondo le disposizioni indicate nella Specifica Tecnica dedicata.

---

Nella cabina di connessione e in quella di raccolta sarà previsto il quadro servizi ausiliari BT-AUX che provvede a tutte quelle esigenze necessarie al funzionamento ed al mantenimento delle apparecchiature interne:

- Interruttore magnetotermico differenziale;
- Interruttore magnetotermico generale;
- Scaricatori di sovratensione classe II con cartuccia estraibile;
- Alimentatore AC/DC di tensione adeguata a circuiti ausiliari strumentazione e monitoraggio;
- Interruttori e relativi contattori per l'alimentazione del sistema di ventilazione;
- Interruttori per alimentazione ausiliari comparto BT;
- Interruttori per alimentazione servizi ausiliari comparto Inverter;
- Interruttori per alimentazione ausiliari comparto celle 30 kV.
- Interruttore magnetotermico differenziale per alimentazione luci interne e presa di servizio;
- Interruttore magnetotermico differenziale per alimentazione luci esterne;
- Interruttori per alimentazione UPS;
- Interruttori per alimentazione circuiti privilegiati;
- Interruttori per alimentazione sistema di monitoraggio;
- Trasformatore di isolamento BT/BT per alimentazione quadro servizi ausiliari;
- Predisposizione per centralina termometrica per trasformatore a doppio secondario.

Il quadro fino a 36 kV, sarà costruito secondo le disposizioni indicate nella Specifica Tecnica dedicata alle celle MT.

La configurazione dell'impianto di distribuzione 30 kV sarà provvista delle seguenti celle:

- Cella "ARRIVO RAMO" completa di Sezionatore di manovra motorizzato e sezionatore di terra.
- Cella "PROTEZIONE TRAF0" completa di Interruttore automatico motorizzato con funzioni 50, 51, 51N e 67N CEI - 016 e sezionatore di terra;
- Cella "PARTENZA RAMO" completa di Sezionatore di manovra motorizzato e sezionatore di terra.

Tutti i componenti della sottostazione saranno ubicati all'interno di una recinzione, di altezza 2,40 m circa, insieme con gli apparati di controllo e protezione della sottostazione; un edificio chiuso ospiterà le celle di media tensione e i quadri di misura, controllo e protezione.

Per l'esecuzione del progetto, oltre ai fabbricati, sono necessarie le seguenti opere civili:

- recinzione perimetrale del tipo "a pettine" in cemento armato, costituita da elementi prefabbricati di altezza 2,40 m circa fuori terra a sezione trapezoidale;
- strutture di fondazione delle cabine /edifici che saranno costituite da travi, platee e plinti in cemento armato;
- reti di cavidotti interrati;
- pavimentazioni dei piazzali con bitume per le parti carrabili e inghiaiate per le restanti.