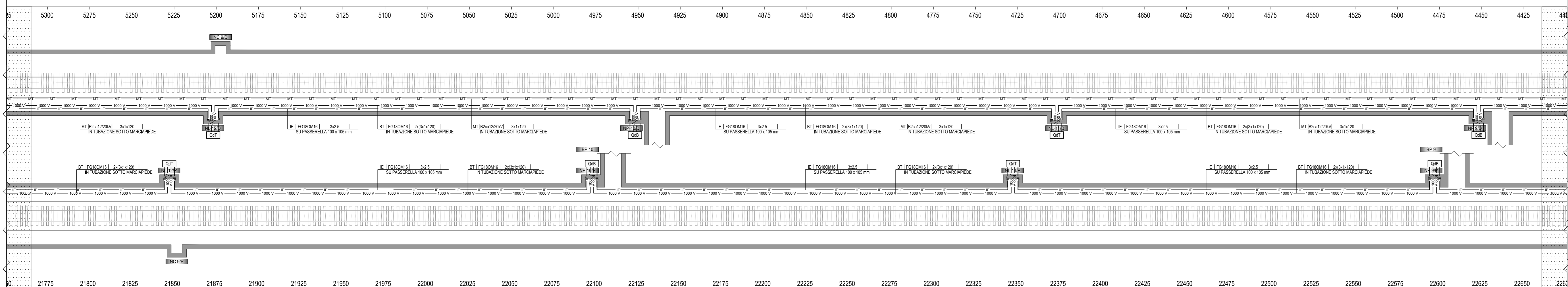
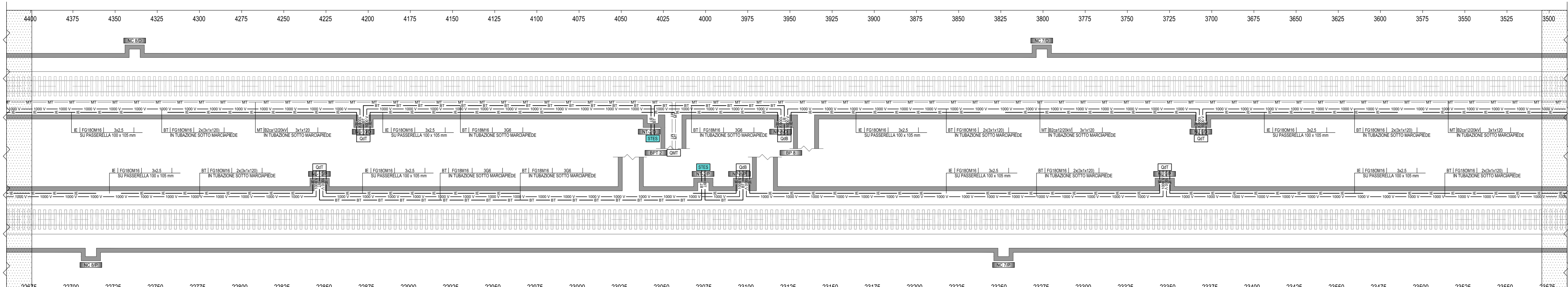


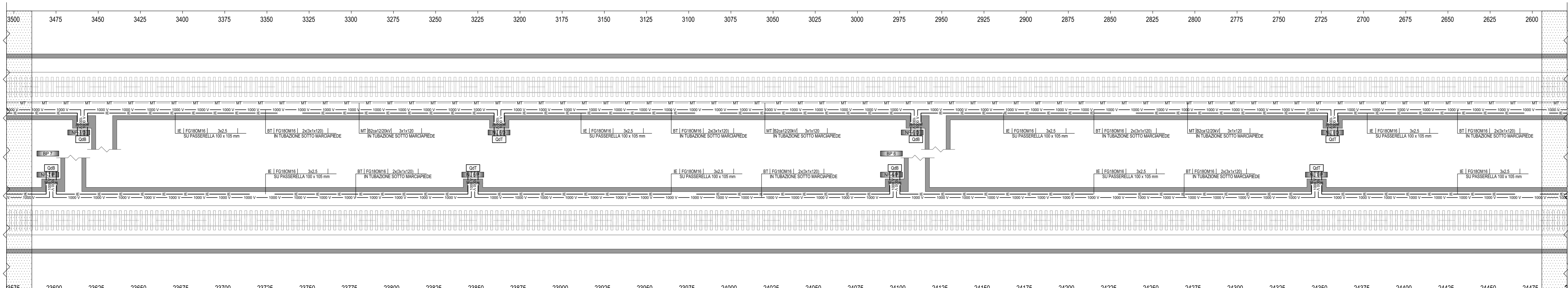
ZONA 25



ZONA 26



ZONA 27



LEGENDA DENOMINAZIONE NICCHIE, BY-PASS CON USCITA DI EMERGENZA

Legend defining symbols for emergency exits, by-passes, and cable tray indicators. It includes tables for 'INDICATORE NICCHIE' and 'INDICATORE BY-PASS' with columns for 'TIPO', 'LATO', and 'NUMERAZIONE PROGRESSIVA'.

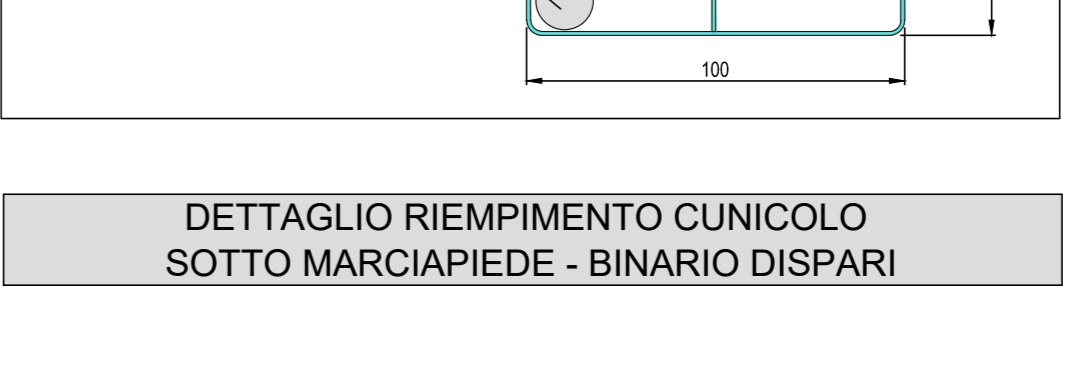
LEGENDA SIMBOLI

Legend defining symbols for various electrical components and cable types, including GP (Quadro elettrico di piazzale), QT (Quadro elettrico di finestra), and STES (Quadro di comando/controllo sistema STES).

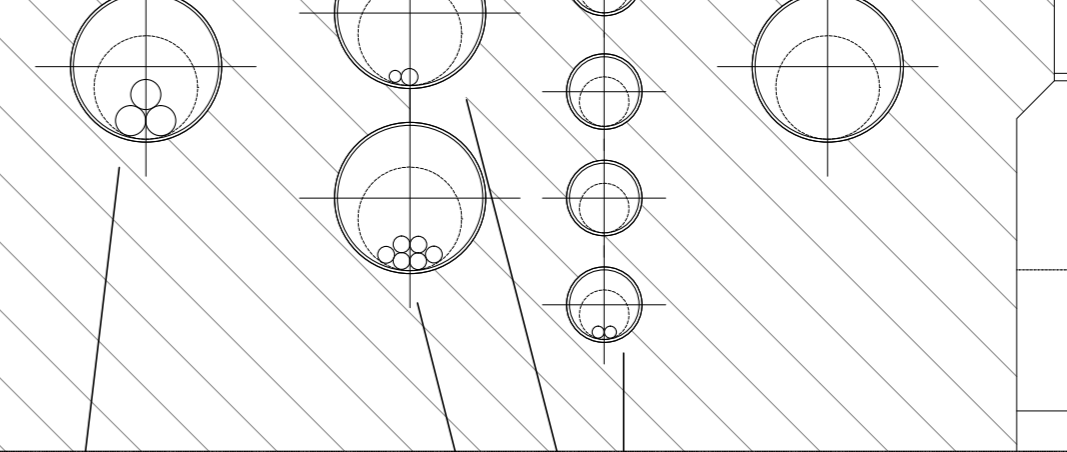
LEGENDA INDICATORI CAVI

Legend for cable indicators, defining symbols for 'INDICATORE CAVI ELETTRICI' and 'INDICATORE CAVI OPTICI' with their respective symbols and descriptions.

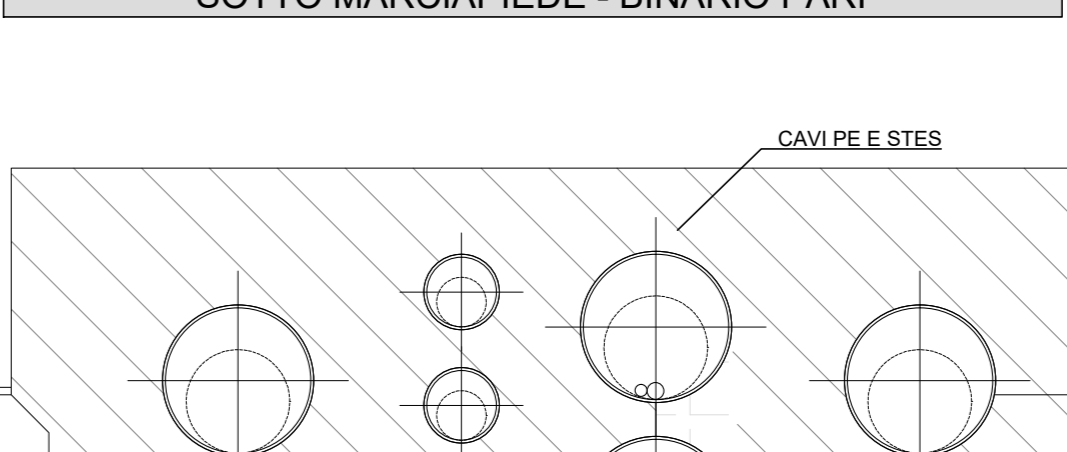
DETTAGLIO RIPIEMPImento PASSERELLA 100 x 105 mm - BINARIO PARI E DISPARI



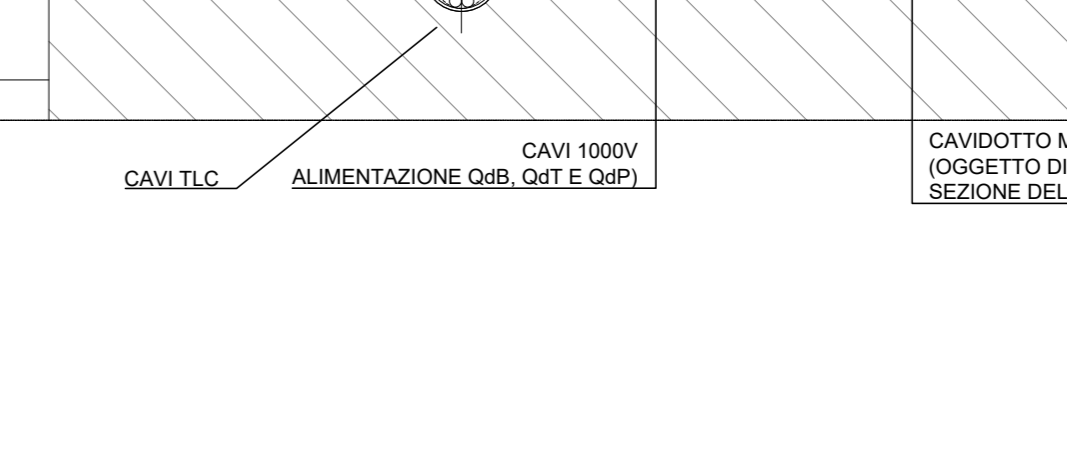
DETTAGLIO RIPIEMPImento CUNICOLO SOTTO MARCIAPIEDE - BINARIO PARI



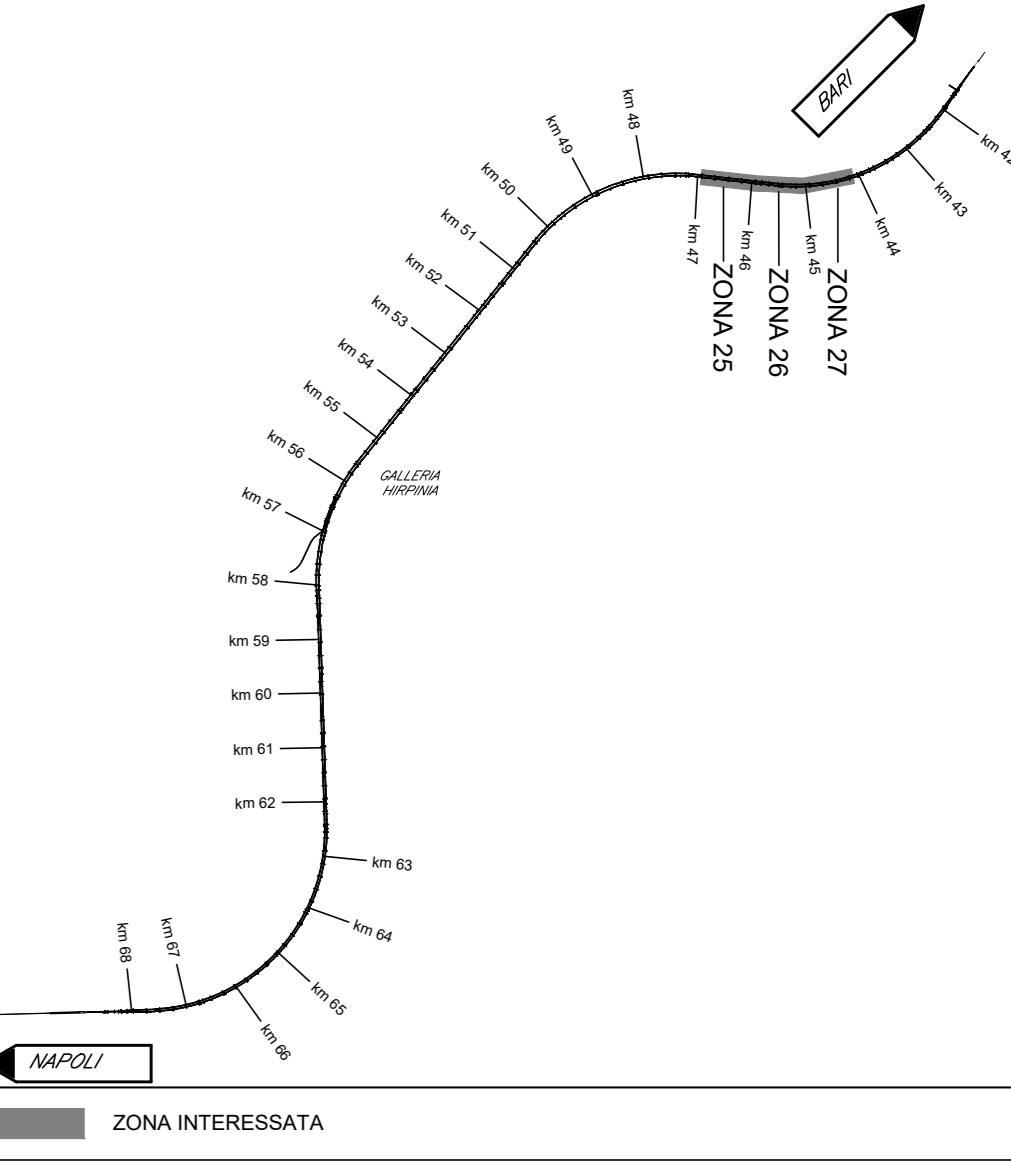
DETTAGLIO RIPIEMPImento CUNICOLO SOTTO MARCIAPIEDE - BINARIO DISPARI



DETTAGLIO RIPIEMPImento CUNICOLO SOTTO MARCIAPIEDE - BINARIO DISPARI



GALLERIA HIRPINIA KEY-PLAN



LEGENDA COLORI IMPIANTI

Legend defining colors for different types of plants, such as lighting (red), power (orange), and supervision (green).

NOTE POZZETTI

Notes regarding pozzetti (manholes) installation, including requirements for cable tray alignment and emergency exit provisions.

NOTE

General notes regarding cable tray installation, including instructions on how to read the drawings and specific installation requirements.

Project information block containing logos for RFI, Italferr, and other stakeholders, along with project details, dates, and a revision table.