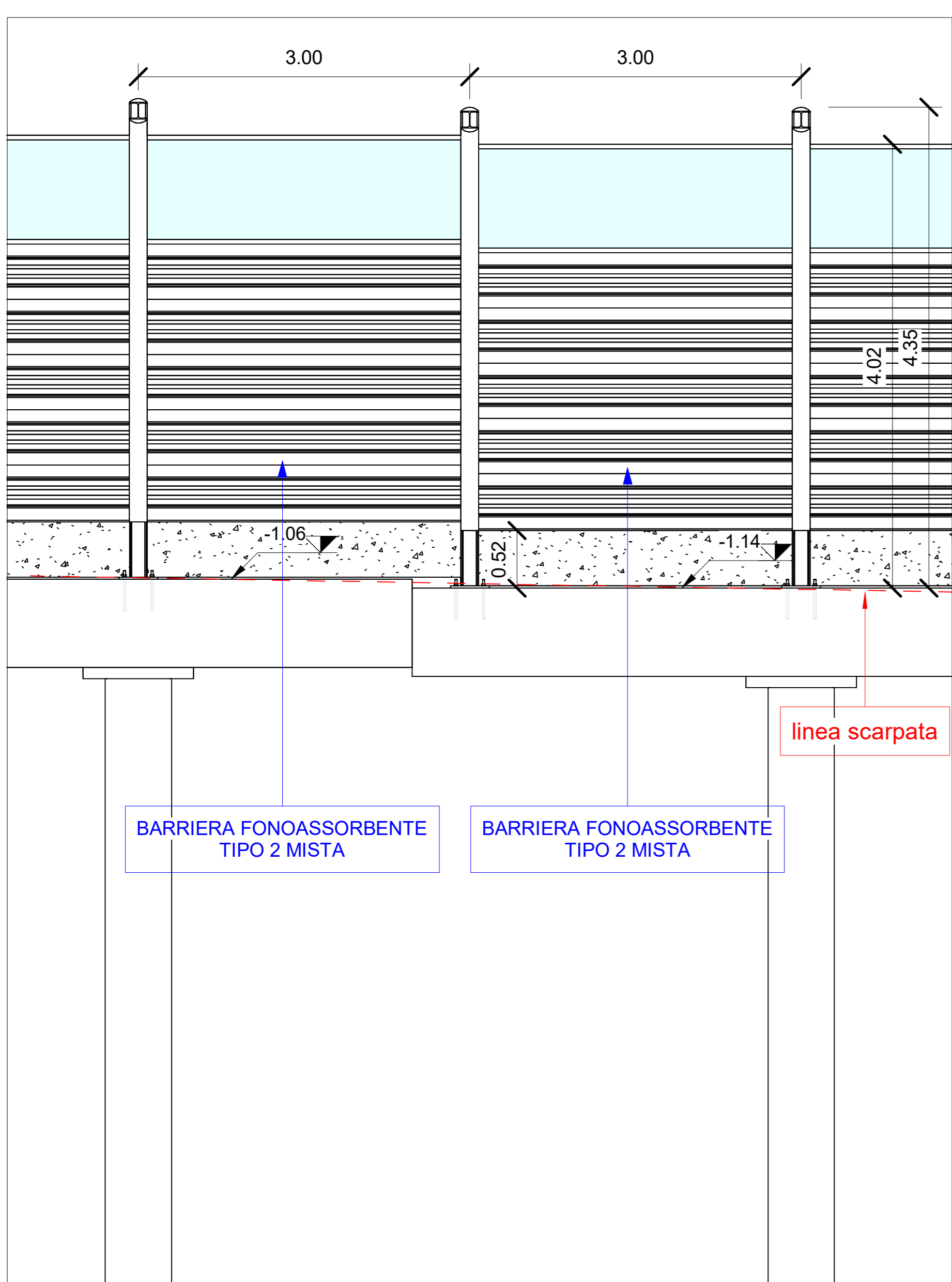
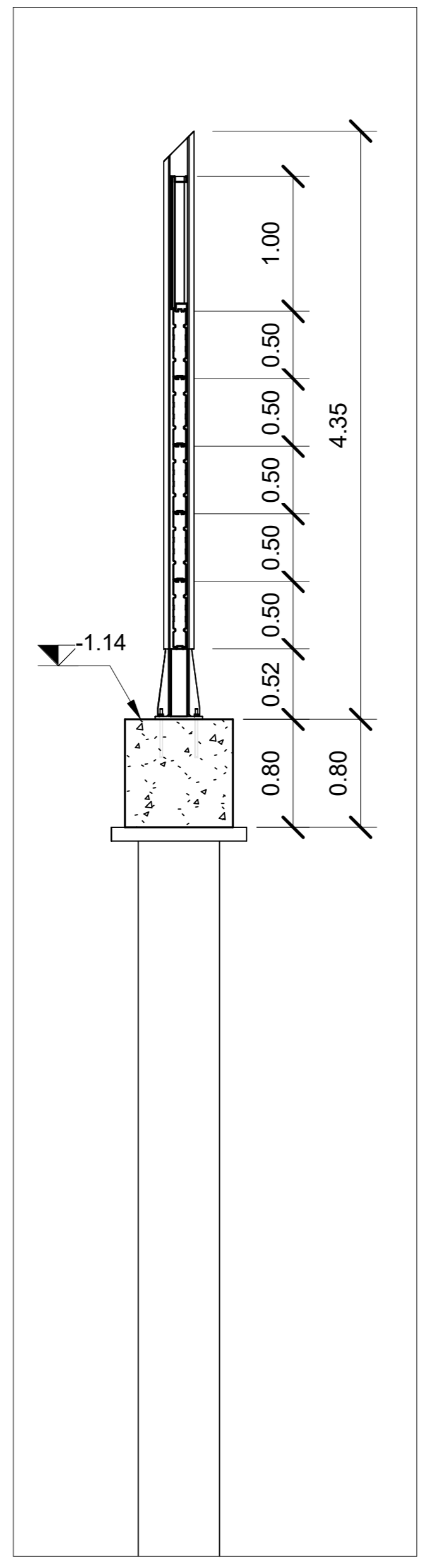


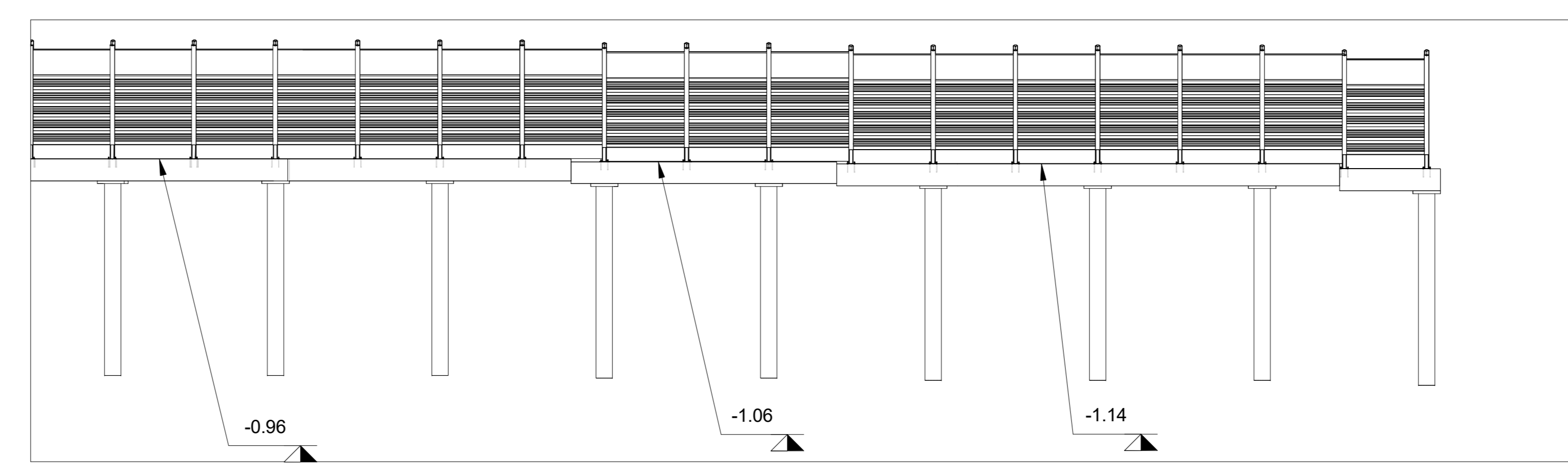
1 Stralcio Planimetrico WBS 28 PT1  
1 : 200



3 Sezione WBS 28 PT1  
1 : 50

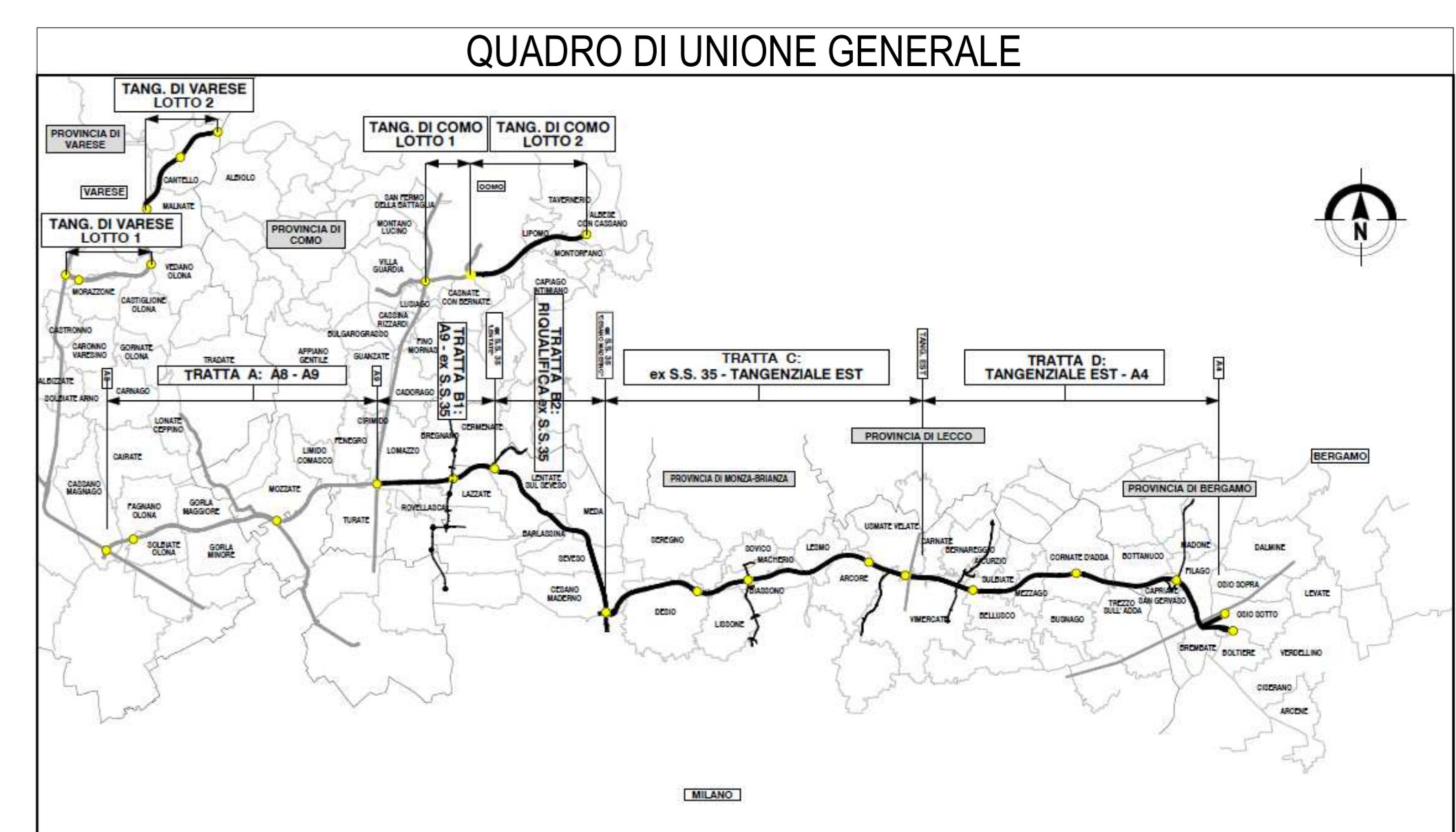
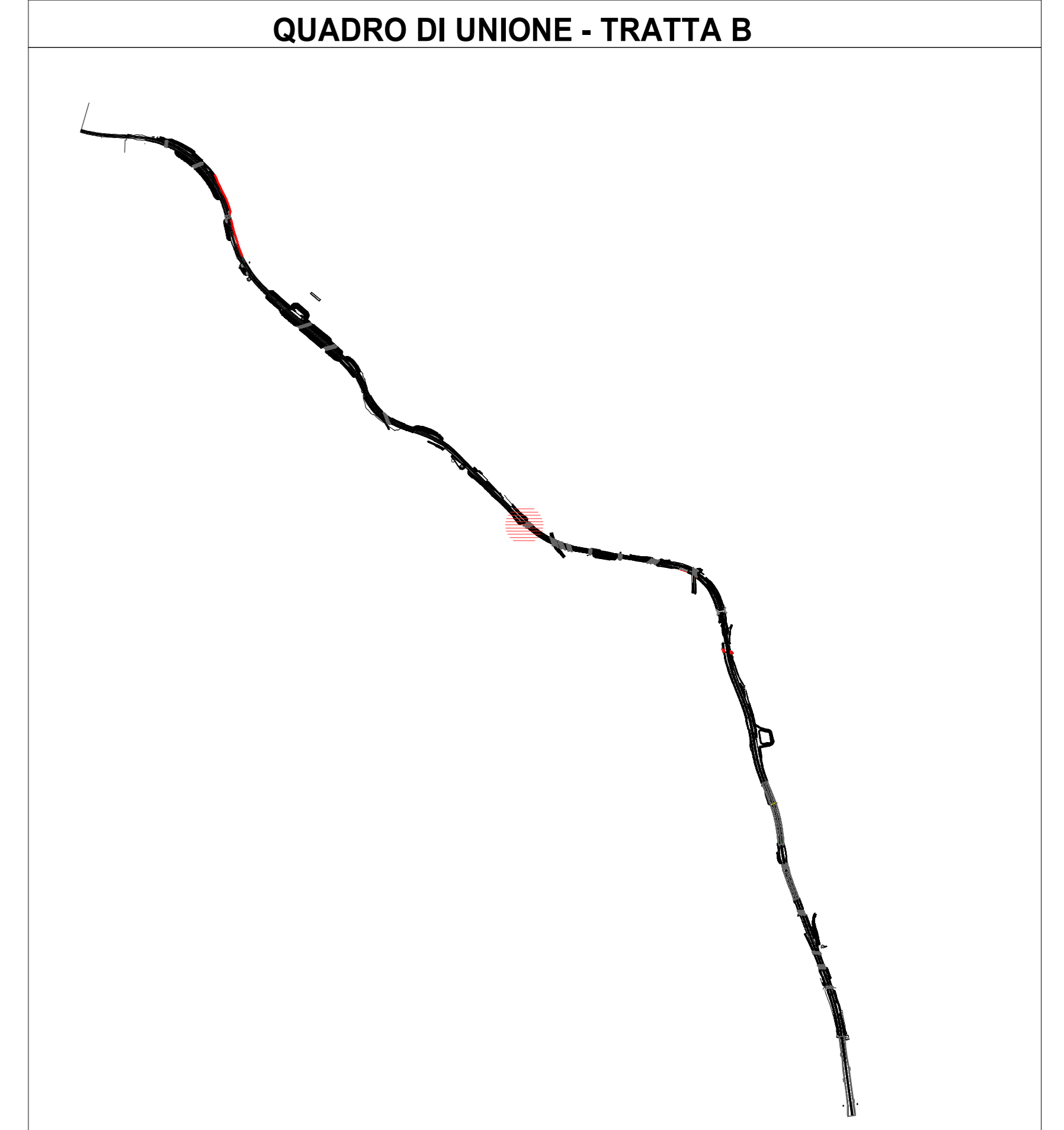


4 Sezione WBS 28 PT1  
1 : 50



Abaco Coordinate di Tracciamento WBS 28 - Opere pt.1			
Mark	E	N	P_WBS
M.48	144936.492898	243156.022469	B2.BA.28-b
M.49	144934.564631	243158.320682	B2.BA.28-b
M.50	144932.636356	243160.618889	B2.BA.28-b
M.51	144942.856897	243149.658470	B2.BA.28-b
M.52	144944.978230	243147.537137	B2.BA.28-b
M.53	144947.099563	243145.415804	B2.BA.28-b
M.54	144949.220676	243143.294689	B2.BA.28-b
M.55	144940.735564	243151.779803	B2.BA.28-b
M.56	144938.614231	243153.901136	B2.BA.28-b
M.57	144930.706153	243162.919394	B2.BA.28-b
M.58	144917.901098	243179.549447	B2.BA.28-b
M.59	144919.710162	243177.166204	B2.BA.28-b
M.60	144921.524223	243174.777202	B2.BA.28-b
M.61	144923.338470	243172.387954	B2.BA.28-b
M.62	144925.152718	243169.998707	B2.BA.28-b
M.63	144926.966965	243167.609459	B2.BA.28-b
M.64	144928.787139	243165.206564	B2.BA.28-b
M.65	144915.823862	243181.719510	B2.BA.28-b
M.66	144888.244438	243209.298933	B2.BA.28-b
M.67	144913.702529	243183.840843	B2.BA.28-b
M.68	144911.581196	243185.962176	B2.BA.28-b
M.69	144909.459863	243188.083509	B2.BA.28-b
M.70	144907.338529	243190.204842	B2.BA.28-b
M.71	144905.217196	243192.326176	B2.BA.28-b
M.72	144903.095863	243194.447509	B2.BA.28-b
M.73	144900.974530	243196.568842	B2.BA.28-b
M.74	144898.853197	243198.690175	B2.BA.28-b
M.75	144896.731864	243200.811508	B2.BA.28-b
M.76	144894.610531	243202.932841	B2.BA.28-b
M.77	144892.489198	243205.054174	B2.BA.28-b
M.78	144890.367865	243207.175507	B2.BA.28-b
M.79	144951.351110	243141.182915	B2.BA.28-b
M.80	144953.499696	243139.088284	B2.BA.28-b
M.81	144957.761573	243134.865258	B2.BA.28-b
M.82	144959.894365	243132.756510	B2.BA.28-b
M.83	144962.035622	243130.655199	B2.BA.28-b
M.84	144964.172431	243128.549409	B2.BA.28-b
M.85	144966.308729	243126.444120	B2.BA.28-b
M.86	144968.456257	243124.348849	B2.BA.28-b
M.104	144970.757083	243122.425653	B2.BA.28-b
M.105	144973.231406	243120.715079	B2.BA.28-b
M.106	144975.698386	243119.009581	B2.BA.28-b
M.107	144978.166091	243117.303582	B2.BA.28-b
M.108	144980.625014	243115.603653	B2.BA.28-b
M.109	144983.125320	243113.921012	B2.BA.28-b
M.110	144985.577236	243112.163540	B2.BA.28-b
M.111	144987.724616	243110.058370	B2.BA.28-b
M.112	144989.891246	243107.955852	B2.BA.28-b
M.113	144992.051455	243105.883219	B2.BA.28-b
M.114	145049.490699	243055.307581	B2.BA.28-b
M.115	145051.859803	243053.465376	B2.BA.28-b
M.116	145054.228140	243051.623766	B2.BA.28-b
M.117	145056.587900	243049.772889	B2.BA.28-b
M.118	145058.984648	243047.964931	B2.BA.28-b
M.119	145061.382251	243046.163414	B2.BA.28-b
M.120	145063.773198	243044.351986	B2.BA.28-b
M.121	145066.163260	243042.541408	B2.BA.28-b
M.122	145068.587241	243040.771115	B2.BA.28-b
M.123	145071.009928	243039.001768	B2.BA.28-b
M.124	145073.432853	243037.232747	B2.BA.28-b
M.125	145075.873290	243035.487773	B2.BA.28-b
M.126	145078.314446	243033.743952	B2.BA.28-b
M.127	145080.769742	243032.021084	B2.BA.28-b
M.128	145083.225880	243030.297817	B2.BA.28-b
M.129	145085.699323	243028.600778	B2.BA.28-b
M.130	145088.173060	243026.903538	B2.BA.28-b
M.131	145093.144446	243023.543891	B2.BA.28-b
M.518	145095.644847	243021.886012	B2.BA.28-b
M.519	145098.145169	243020.228185	B2.BA.28-b
M.520	145100.656967	243018.588431	B2.BA.28-b
M.521	145103.181195	243016.967215	B2.BA.28-b
M.522	145105.705417	243015.346003	B2.BA.28-b
M.523	145108.231877	243013.728224	B2.BA.28-b
M.524	145110.780084	243012.145268	B2.BA.28-b
M.525	145113.328417	243010.562233	B2.BA.28-b
M.526	145115.876305	243008.979475	B2.BA.28-b

Abaco Coordinate di Tracciamento WBS 28 - Opere pt.1			
Mark	E	N	P_WBS
M.527	145118.441589	243007.422821	B2.BA.28-b
M.528	145121.013594	243005.878442	B2.BA.28-b
M.529	145123.585554	243004.334091	B2.BA.28-b
M.530	145126.164382	243002.800856	B2.BA.28-b
M.531	145128.758555	243001.295199	B2.BA.28-b
M.532	145131.353563	242999.789056	B2.BA.28-b
M.533	145133.947859	242998.283327	B2.BA.28-b
M.534	145136.563603	242996.811773	B2.BA.28-b
M.535	145139.180590	242995.345014	B2.BA.28-b
M.536	145141.792343	242993.881188	B2.BA.28-b
M.537	145144.423251	242992.433080	B2.BA.28-b
M.538	145147.032528	242991.023574	B2.BA.28-b
M.539	145149.672034	242989.597738	B2.BA.28-b
M.540	145152.313247	242988.175119	B2.BA.28-b
M.541	145154.973130	242986.787798	B2.BA.28-b
M.542	145157.633067	242985.400450	B2.BA.28-b
M.543	145160.293029	242984.013088	B2.BA.28-b
M.544	145162.966944	242982.652802	B2.BA.28-b
M.545	145165.647155	242981.305037	B2.BA.28-b
M.546	145168.327303	242979.957302	B2.BA.28-b
M.547	145171.013471	242978.621529	B2.BA.28-b
M.548	145173.714408	242977.315796	B2.BA.28-b
M.549	145176.415345	242976.010062	B2.BA.28-b
M.550	145179.116282	242974.704329	B2.BA.28-b
M.551	145181.834255	242973.434518	B2.BA.28-b
M.552	145184.554409	242972.169305	B2.BA.28-b
M.553	145187.274563	242970.904092	B2.BA.28-b
M.131	145190.007806	242969.664278	B2.BA.28-b
M.132	145192.746178	242968.439337	B2.BA.28-b
M.133	145195.484677	242967.214338	B2.BA.28-b
M.134	144994.215540	243103.806855	B2.BA.28-b
M.135	144996.403414	243101.753417	B2.BA.28-b
M.136	144998.599146	243099.708694	B2.BA.28-b
M.137	145000.794777	243097.664070	B2.BA.28-b
M.138	145002.990068	243095.619763	B2.BA.28-b
M.139	145005.185539	243093.575287	B2.BA.28-b
M.140	145007.381013	243091.530809	B2.BA.28-b
M.141	145009.576488	243089.486331	B2.BA.28-b
M.142	145011.771029	243087.442692	B2.BA.28-b
M.384	145200.940833	242964.717787	B2.BA.28-b
M.385	145203.679582	242963.493345	B2.BA.28-b
M.386	145206.425930	242962.286045	B2.BA.28-b
M.387	145209.203752	242961.153038	B2.BA.28-b
M.388	145211.944388	242959.932828	B2.BA.28-b
M.389	145214.732512	242958.825415	B2.BA.28-b
M.390	145217.533039	242957.749752	B2.BA.28-b
M.391	145220.326033	242956.654679	B2.BA.28-b
M.392	145223.107585	242955.530860	B2.BA.28-b
M.393	145225.908326	242954.455756	B2.BA.28-b
M.394	145228.691528	242953.336030	B2.BA.28-b
M.395	145231.485303	242952.242952	B2.BA.28-b
M.396	145234.351165	242951.1403894	B2.BA.28-b
M.397	145237.165458	242950.064779	B2.BA.28-b
M.398	145239.990302	242949.004704	B2.BA.28-b
M.399	145242.815147	242948.004628	B2.BA.28-b
M.400	145245.644924	242947.004628	B2.BA.28-b
M.401	145248.474700	242946.004628	B2.BA.28-b
M.402	145251.312279	242945.004628	B2.BA.28-b
M.403	145254.158386	242944.004628	B2.BA.28-b
M.430	145044.816558	243059.067886	B2.BA.28-b
M.431	145042.473563	243060.941667	B2.BA.28-b
M.432	145040.154234	243062.844244	B2.BA.28-b
M.433	145037.843041	243064.757091	B2.BA.28-b
M.434	145035.532032	243066.669786	B2.BA.28-b
M.435	145033.229833	243068.593371	B2.BA.28-b
M.436	145030.949309	243070.537906	B2.BA.28-b
M.437	145028.664216	243072.486336	B2.BA.28-b
M.438	145026.381448	243074.432784	B2.BA.28-b
M.439	145024.124859	243076.409597	B2.BA.28-b
M.440	145021.870822	243078.388811	B2.BA.28-b
M.441	145019.616244	243080.368501	B2.BA.28-b
M.442	145017.374503	243082.361910	B2.BA.28-b
M.443	145015.143889	243084.367991	B2.BA.28-b
M.444	145013.000345	243086.437777	B2.BA.28-b
M.445	145011.199279	242965.935931	B2.BA.28-b



**COLLEGAMENTO AUTOSTRADALE  
DALMINE-COMO-VARESE-VALICO DEL GAGGIOLO E OPERE AD ESSO CONNESSE**  
CODICE C.U.P. F118060027001

**PROGETTO ESECUTIVO  
TRATTA B2**

<b>IDENTIFICAZIONE ELABORATO</b>		<b>CONTRAENTE GENERALE</b>	
FASE PROGETTUALE	WBS	<b>PEDELOMBARDA NUOVA S.p.A.</b>	
AMBITO	TRATTA	DATA	
CATEGORIA	OPERA	REVISIONE	
PARTE DI OPERA	TIPO ELABORATO	ELABORAZIONE PROGETTUALE	
PROGRESSIVA	REVISIONE ESTERNA	PROGETTISTI	
CONCEDENTE		RESPONSABILE	
CONCESSIONARIO		PRESTAZIONE	
		SPECIALISTICHE	
		PROGETTISTA	

Il presente documento non potrà essere copiato, riprodotto o altrimenti pubblicato in tutto o in parte senza il consenso scritto di Autostrada Pademontana Lombarda S.p.A. Ogni utilizzo non autorizzato sarà perseguito a norma di legge. This document may not be copied, reproduced or published either in part or entirely without the written permission of Autostrada Pademontana Lombarda S.p.A. Unauthorized use will be prosecuted by law.