



SF7 | From both
Bi-facial | sides now

The next-generation-now horizontal single-axis solar tracker



Bifacial Yield Boost

The SF7 standard configuration enables cost-effective installation, operation, and innovation such as the bifacial tracking solution.



Single-Axis Tracker

UNITED STATES
5800 Las Positas Road
Livermore, CA 94551
usa@soltec.com
+1 510 440 9200

SPAIN
(Murcia)
info@soltec.com
+34 968 603 153
(Madrid)
emea@soltec.com
+34 91 449 72 03

BRAZIL
brasil@soltec.com
+55 071 3026 4900

MEXICO
mexico@soltec.com
+52 1 55 5557 3144

CHILE
chile@soltec.com
+56 2 25738559

PERU
peru@soltec.com
+51 1422 7279

INDIA
india@soltec.com
+91 124 4568202

AUSTRALIA
australia@soltec.com
+61 2 8067 8811

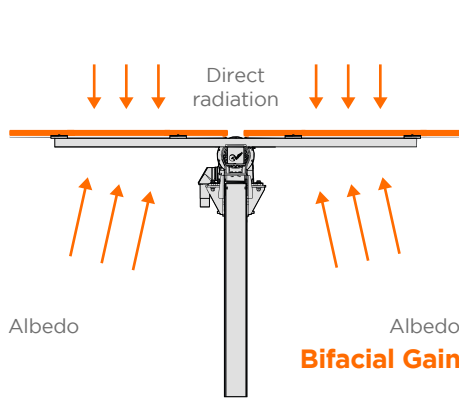
CHINA
china@soltec.com
+86 21 66285799

ARGENTINA
argentina@soltec.com
+54 9 114 889 1476

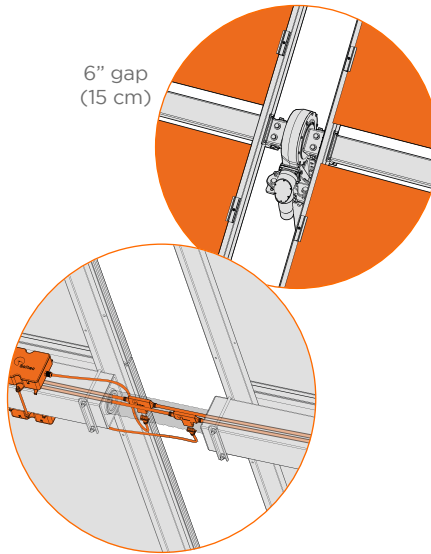
EGYPT
egypt@soltec.com

B&V Bankability report
DNV GL Technology
Review available
RWDI WIND TUNNEL TESTED

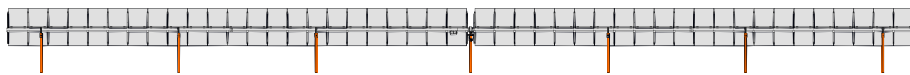
2 year background
industrial operation



No Shading
Two-up portrait module mounting:
no backside shading from torque tube.

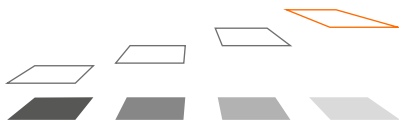


Eliminates hanging wires and manages cable through the torque tube, reducing the total wire up to **83%** and installation labor up to **75%**.



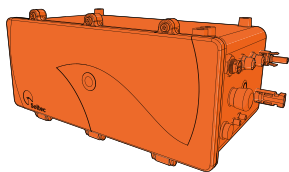
Only 7 piles per every 90 modules and no dampers, minimizing the number of objects shading the rear side of the modules. 46% fewer piles per MW.

Taller Tracker



Bifacial performance is increased by height of installation, reducing shadow intensity projection.

Highest Power Density



SF7 is **Self-Powered PV Series** and does not require an extra module. More PV active area per tracker for better land-use.

2x Wider Aisles

Maximize reflected solar energy (albedo) while improve O&M accessibility for modules washing and vegetation control.

