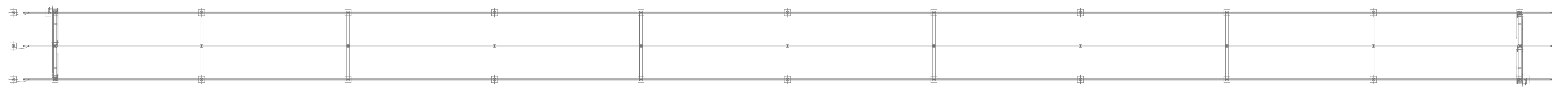
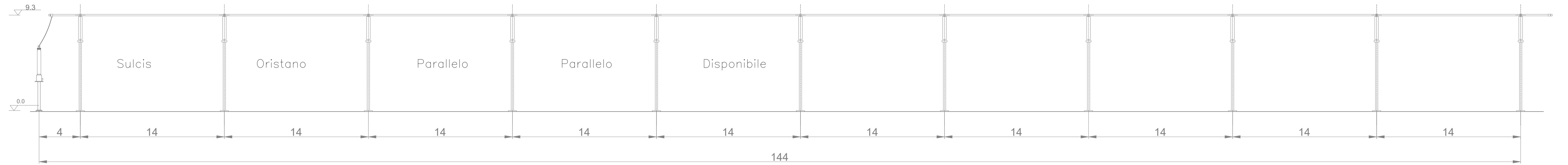


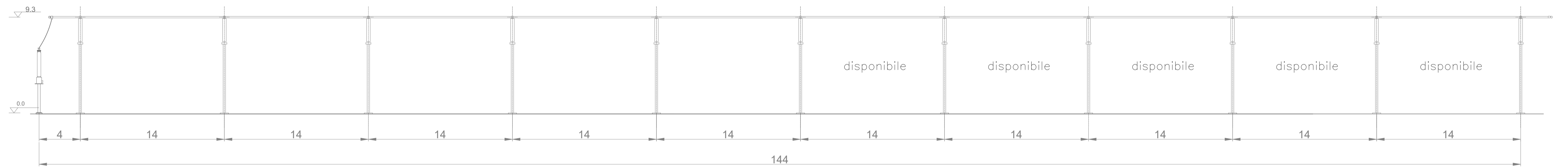
Sbarra A



Sbarra B





Sezione A-A



Sezione B-B



REV.	DATE	DESCRIPTION	PREPARED	CHECKED	APPROVED
01	Nov/2022	Revisione dopo commenti	3E	3E	EGP
0	Dic/2021	first issue	3E	3E	EGP
CONTRACTOR'S LOGO		PROJECT	Nuova SE RTN a 220kV di Gonnese e raccordi alla RTN		
		FILE NAME:	GRE.EEC.D.24.IT.W.15012.16.013.01		
		CLASSIFICATION:	FORMAT: A1	SCALE: -	PLOT SCALE: 1:1
Engineering & Construction <b>GRE VALIDATION</b>		UTILIZATION SCOPE:	TITLE: Opera 1 Nuova SE - Sezione sbarre 220kV		
VALIDATED BY:		GRE CODE			
VERIFIED BY:	GROUP:		FUNCTION:	TYPE:	ISSUER:
COLLABORATORS:	COUNTRY:		TEC:	PLANT:	SYSTEM:
		PROGRESSIVE:	REVISION:		
		GRE.EEC.D.24.IT.W.15012.16.013.01			

This document is property of Enel Green Power SpA. It is strictly forbidden to reproduce this document, in whole or in part, and to provide to others any related information without the previous written consent by Enel Green Power SpA.