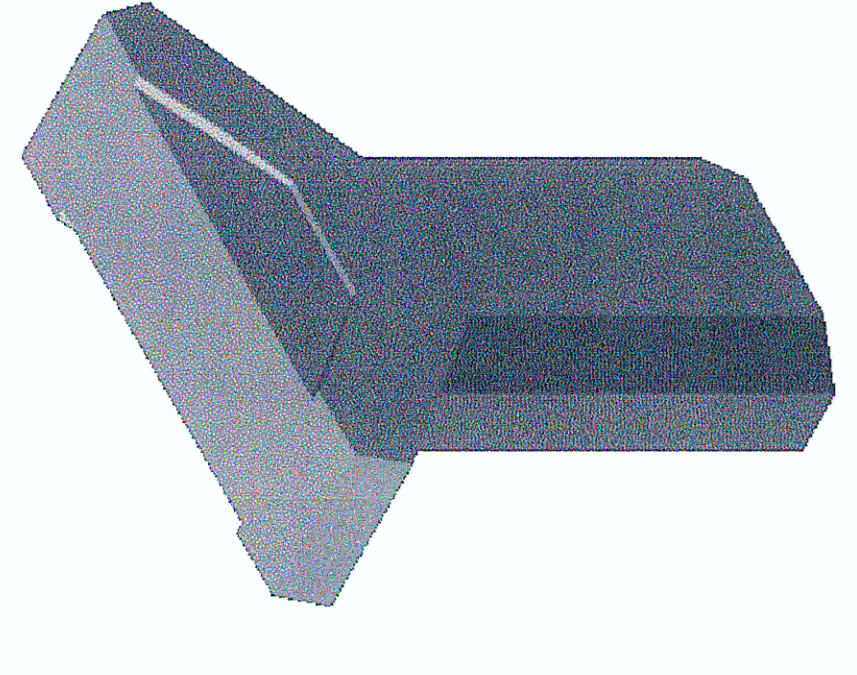


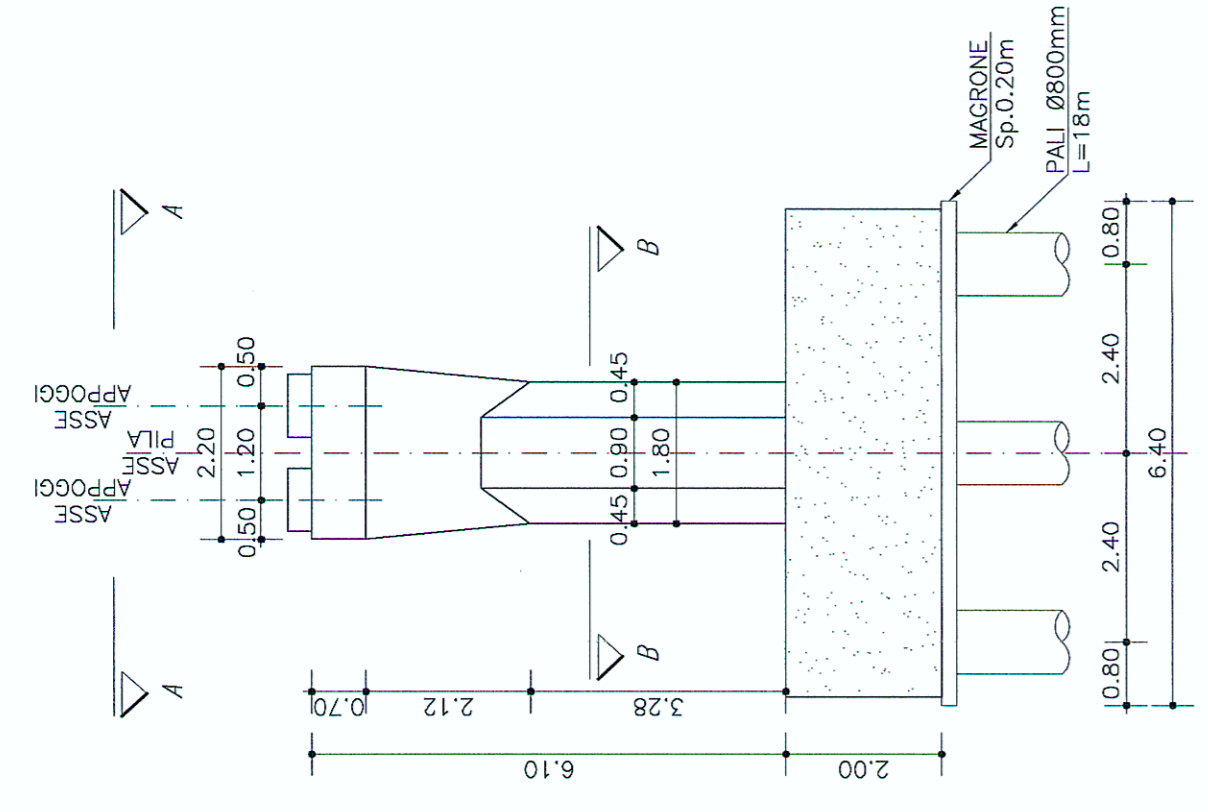
CARATTERISTICHE DEI MATERIALI (conformi a D.M. 14.01.2008)

CALCESTRUZZO			
CLASSI	RESISTENZA	CLASSE	COMPRESIONE
MECCANICA	(MPa)	(N/mm ²)	(N/mm ²)
C20	20	C20/25	25
C25	25	C25/32	32
C30	30	C30/37	37
C35	35	C35/45	45
C40	40	C40/50	50
C45	45	C45/55	55
C50	50	C50/60	60
C55	55	C55/66	66
C60	60	C60/72	72
C65	65	C65/78	78
C70	70	C70/83	83
C75	75	C75/90	90
C80	80	C80/95	95
C85	85	C85/100	100
C90	90	C90/105	105
C95	95	C95/110	110
C100	100	C100/115	115
C105	105	C105/120	120
C110	110	C110/125	125
C115	115	C115/130	130
C120	120	C120/135	135
C125	125	C125/140	140
C130	130	C130/145	145
C135	135	C135/150	150
C140	140	C140/155	155
C145	145	C145/160	160
C150	150	C150/165	165
C155	155	C155/170	170
C160	160	C160/175	175
C165	165	C165/180	180
C170	170	C170/185	185
C175	175	C175/190	190
C180	180	C180/195	195
C185	185	C185/200	200
C190	190	C190/205	205
C195	195	C195/210	210
C200	200	C200/215	215
C205	205	C205/220	220
C210	210	C210/225	225
C215	215	C215/230	230
C220	220	C220/235	235
C225	225	C225/240	240
C230	230	C230/245	245
C235	235	C235/250	250
C240	240	C240/255	255
C245	245	C245/260	260
C250	250	C250/265	265
C255	255	C255/270	270
C260	260	C260/275	275
C265	265	C265/280	280
C270	270	C270/285	285
C275	275	C275/290	290
C280	280	C280/295	295
C285	285	C285/300	300
C290	290	C290/305	305
C295	295	C295/310	310
C300	300	C300/315	315
C305	305	C305/320	320
C310	310	C310/325	325
C315	315	C315/330	330
C320	320	C320/335	335
C325	325	C325/340	340
C330	330	C330/345	345
C335	335	C335/350	350
C340	340	C340/355	355
C345	345	C345/360	360
C350	350	C350/365	365
C355	355	C355/370	370
C360	360	C360/375	375
C365	365	C365/380	380
C370	370	C370/385	385
C375	375	C375/390	390
C380	380	C380/395	395
C385	385	C385/400	400
C390	390	C390/405	405
C395	395	C395/410	410
C400	400	C400/415	415
C405	405	C405/420	420
C410	410	C410/425	425
C415	415	C415/430	430
C420	420	C420/435	435
C425	425	C425/440	440
C430	430	C430/445	445
C435	435	C435/450	450
C440	440	C440/455	455
C445	445	C445/460	460
C450	450	C450/465	465
C455	455	C455/470	470
C460	460	C460/475	475
C465	465	C465/480	480
C470	470	C470/485	485
C475	475	C475/490	490
C480	480	C480/495	495
C485	485	C485/500	500
C490	490	C490/505	505
C495	495	C495/510	510
C500	500	C500/515	515
C505	505	C505/520	520
C510	510	C510/525	525
C515	515	C515/530	530
C520	520	C520/535	535
C525	525	C525/540	540
C530	530	C530/545	545
C535	535	C535/550	550
C540	540	C540/555	555
C545	545	C545/560	560
C550	550	C550/565	565
C555	555	C555/570	570
C560	560	C560/575	575
C565	565	C565/580	580
C570	570	C570/585	585
C575	575	C575/590	590
C580	580	C580/595	595
C585	585	C585/600	600
C590	590	C590/605	605
C595	595	C595/610	610
C600	600	C600/615	615
C605	605	C605/620	620
C610	610	C610/625	625
C615	615	C615/630	630
C620	620	C620/635	635
C625	625	C625/640	640
C630	630	C630/645	645
C635	635	C635/650	650
C640	640	C640/655	655
C645	645	C645/660	660
C650	650	C650/665	665
C655	655	C655/670	670
C660	660	C660/675	675
C665	665	C665/680	680
C670	670	C670/685	685
C675	675	C675/690	690
C680	680	C680/695	695
C685	685	C685/700	700
C690	690	C690/705	705
C695	695	C695/710	710
C700	700	C700/715	715
C705	705	C705/720	720
C710	710	C710/725	725
C715	715	C715/730	730
C720	720	C720/735	735
C725	725	C725/740	740
C730	730	C730/745	745
C735	735	C735/750	750
C740	740	C740/755	755
C745	745	C745/760	760
C750	750	C750/765	765
C755	755	C755/770	770
C760	760	C760/775	775
C765	765	C765/780	780
C770	770	C770/785	785
C775	775	C775/790	790
C780	780	C780/795	795
C785	785	C785/800	800
C790	790	C790/805	805
C795	795	C795/810	810
C800	800	C800/815	815
C805	805	C805/820	820
C810	810	C810/825	825
C815	815	C815/830	830
C820	820	C820/835	835
C825	825	C825/840	840
C830	830	C830/845	845
C835	835	C835/850	850
C840	840	C840/855	855
C845	845	C845/860	860
C850	850	C850/865	865
C855	855	C855/870	870
C860	860	C860/875	875
C865	865	C865/880	880
C870	870	C870/885	885
C875	875	C875/890	890
C880	880	C880/895	895
C885	885	C885/900	900
C890	890	C890/905	905
C895	895	C895/910	910
C900	900	C900/915	915
C905	905	C905/920	920
C910	910	C910/925	925
C915	915	C915/930	930
C920	920	C920/935	935
C925	925	C925/940	940
C930	930	C930/945	945
C935	935	C935/950	950
C940	940	C940/955	955
C945	945	C945/960	960
C950	950	C950/965	965
C955	955	C955/970	970
C960	960	C960/975	975
C965	965	C965/980	980
C970	970	C970/985	985
C975	975	C975/990	990
C980	980	C980/995	995
C985	985	C985/1000	1000
C990	990	C990/1005	1005
C995	995	C995/1010	1010
C1000	1000	C1000/1015	1015

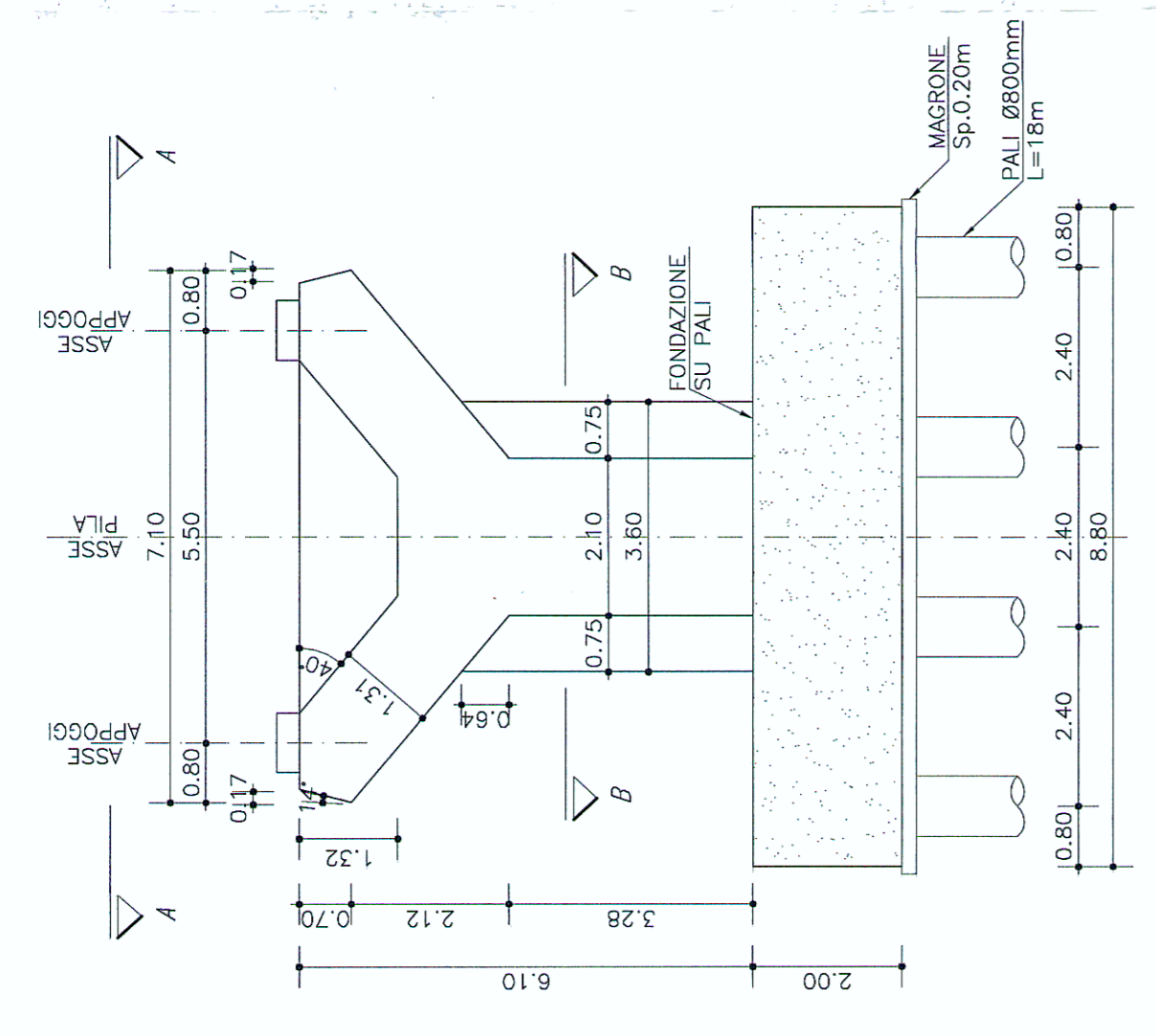
VISTA ASSONOMETRICA PILA 5



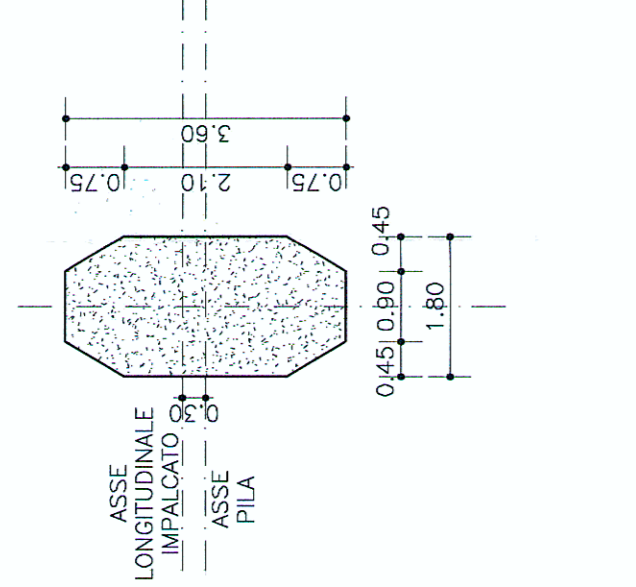
VISTA LONGITUDINALE PILA 5
scala 1:100



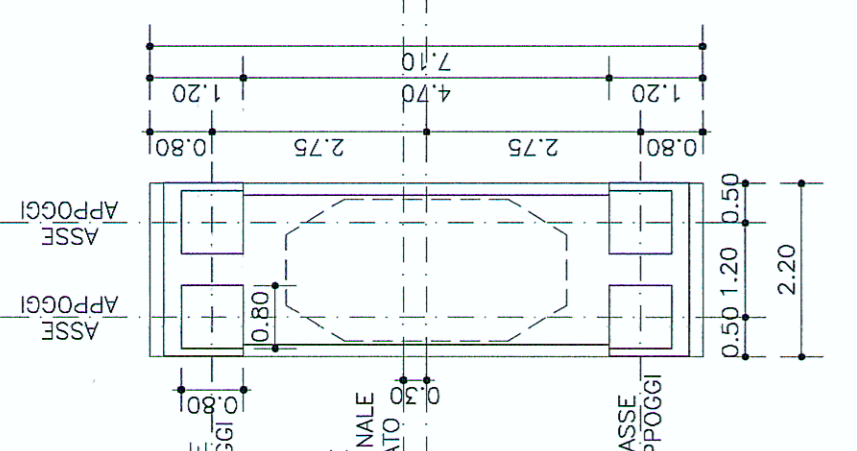
VISTA TRASVERSALE PILA 5
scala 1:100



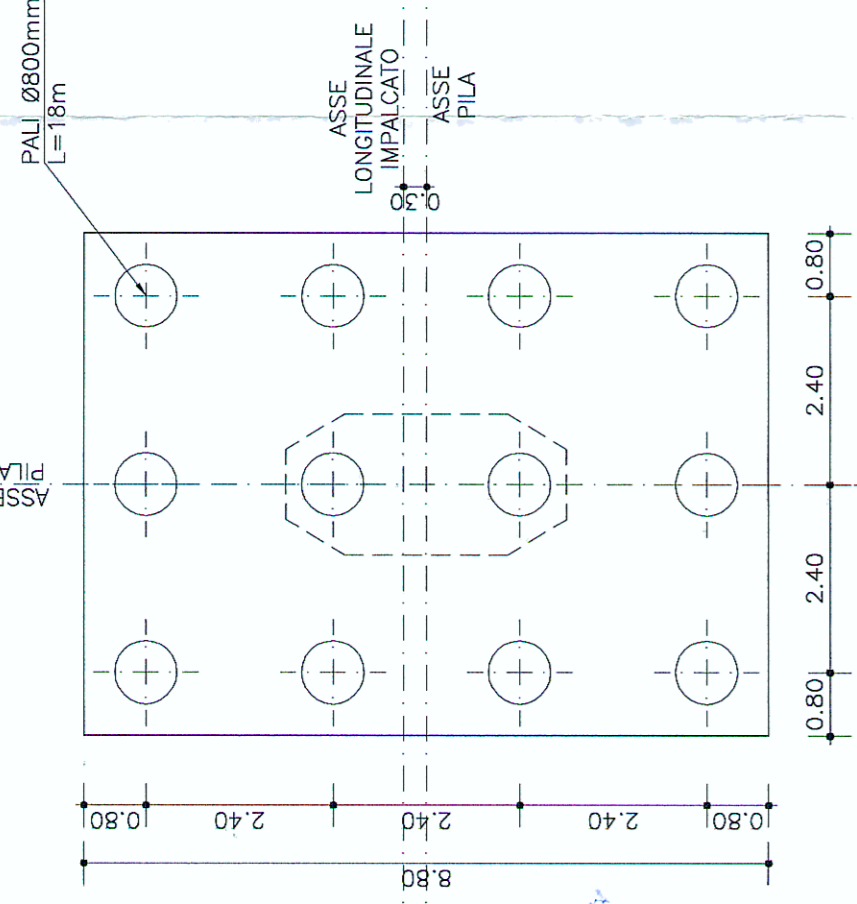
SEZIONE B-B PILA 5
scala 1:100



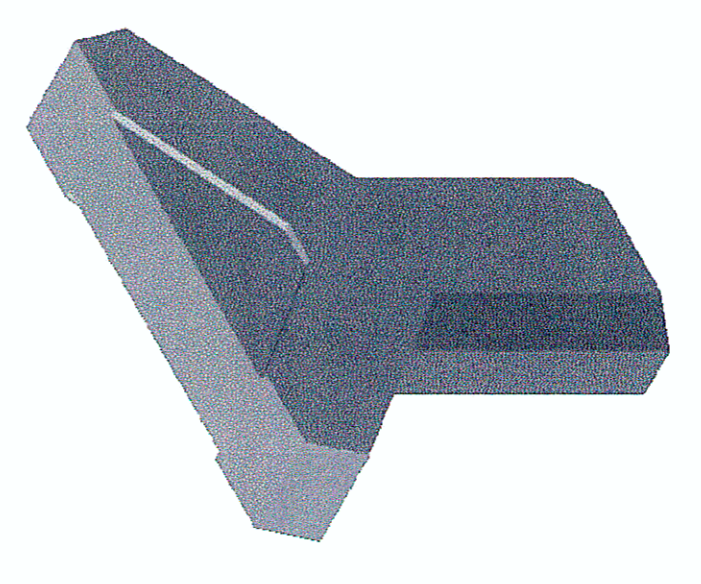
VISTA A-A PILA 5
scala 1:100



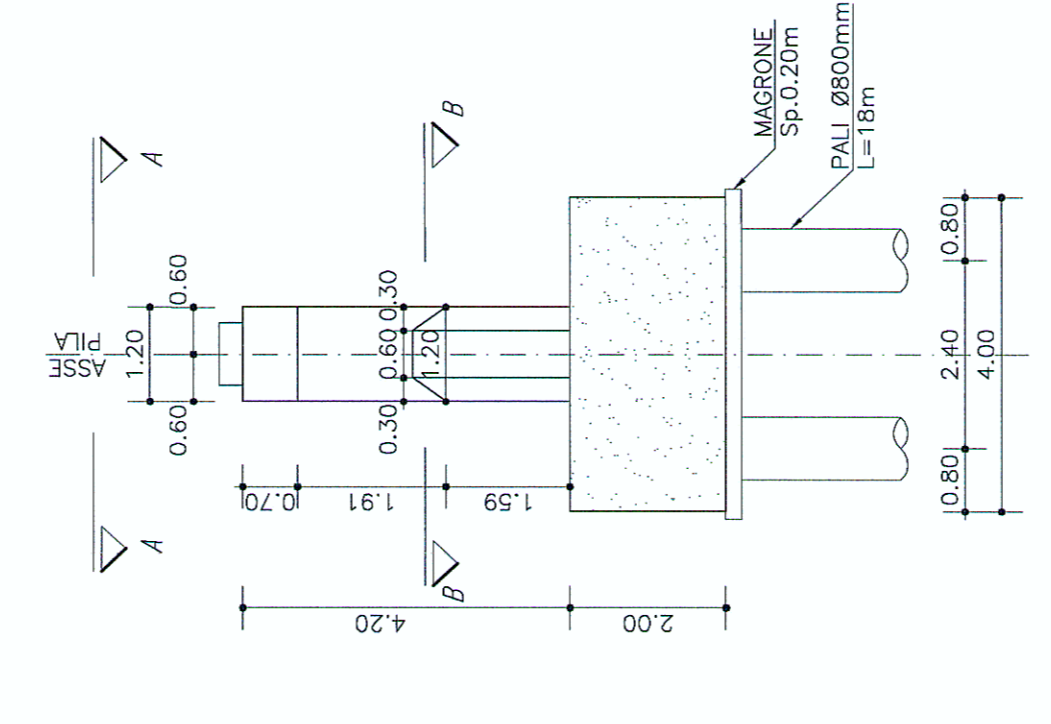
PIANTA FONDAZIONE PILA 5
scala 1:100



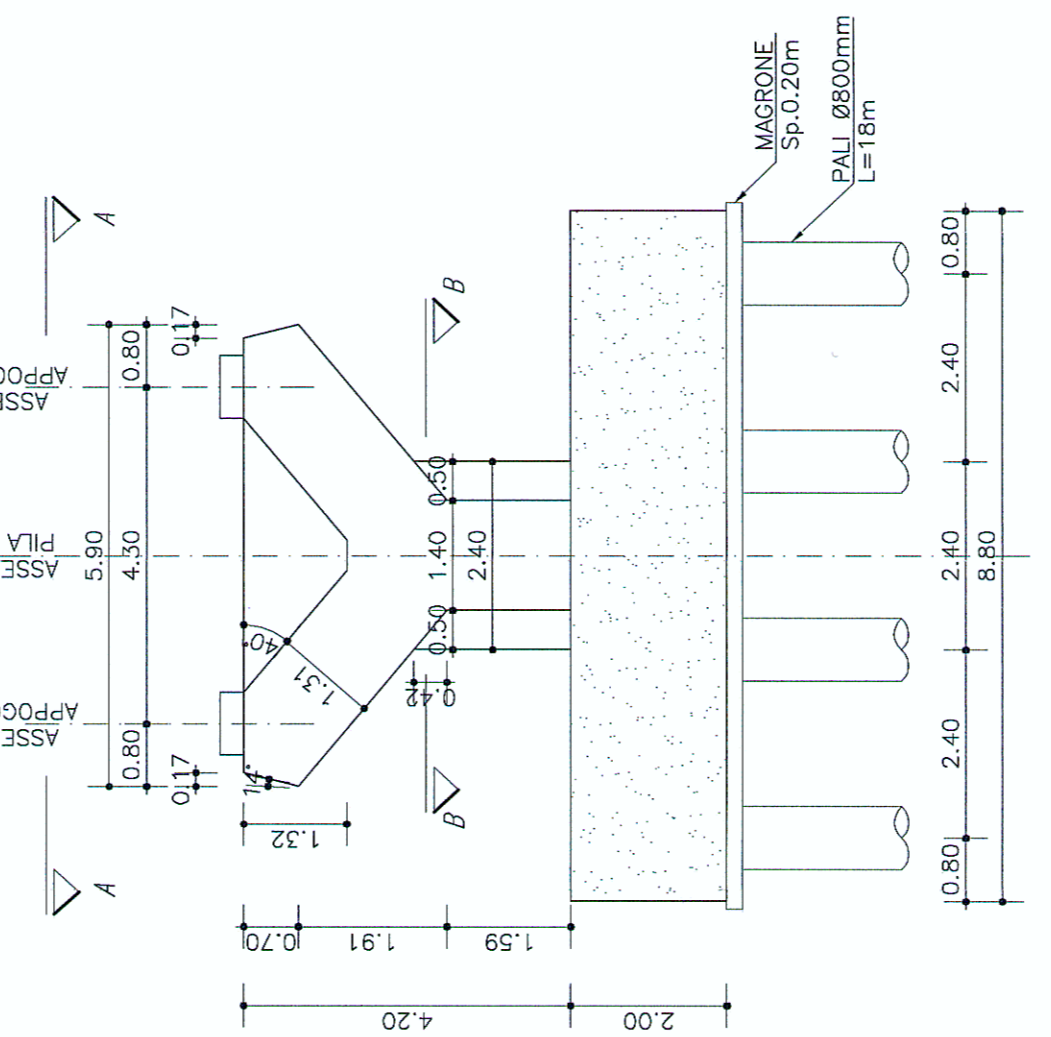
VISTA ASSONOMETRICA PILA 6



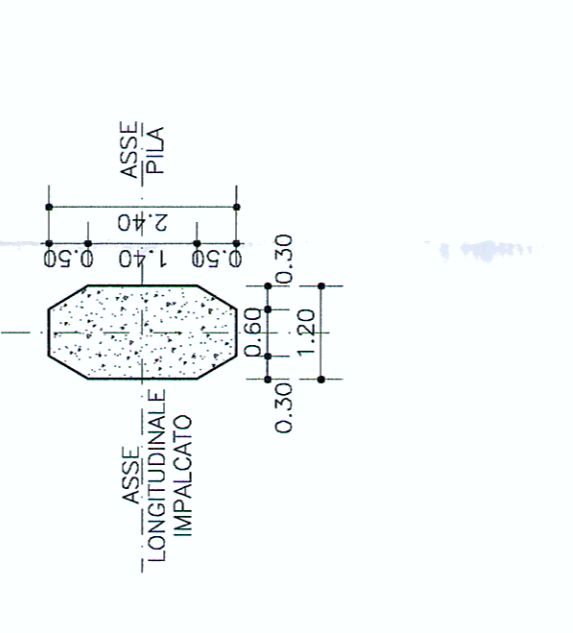
VISTA LONGITUDINALE PILA 6
scala 1:100



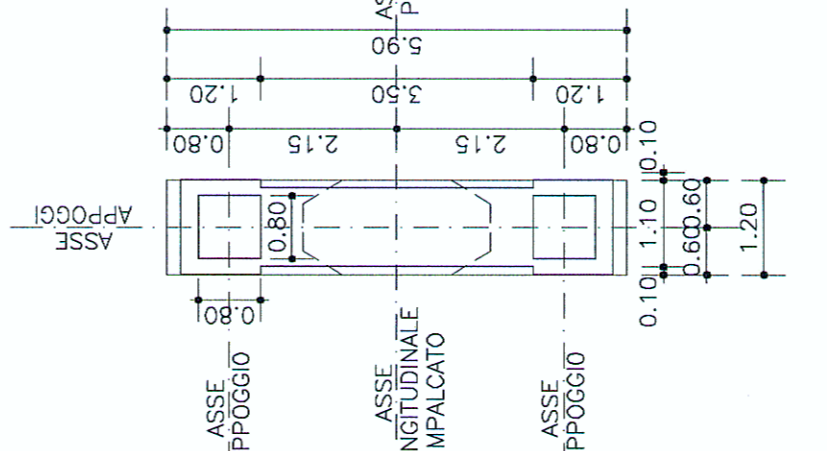
VISTA TRASVERSALE PILA 6
scala 1:100



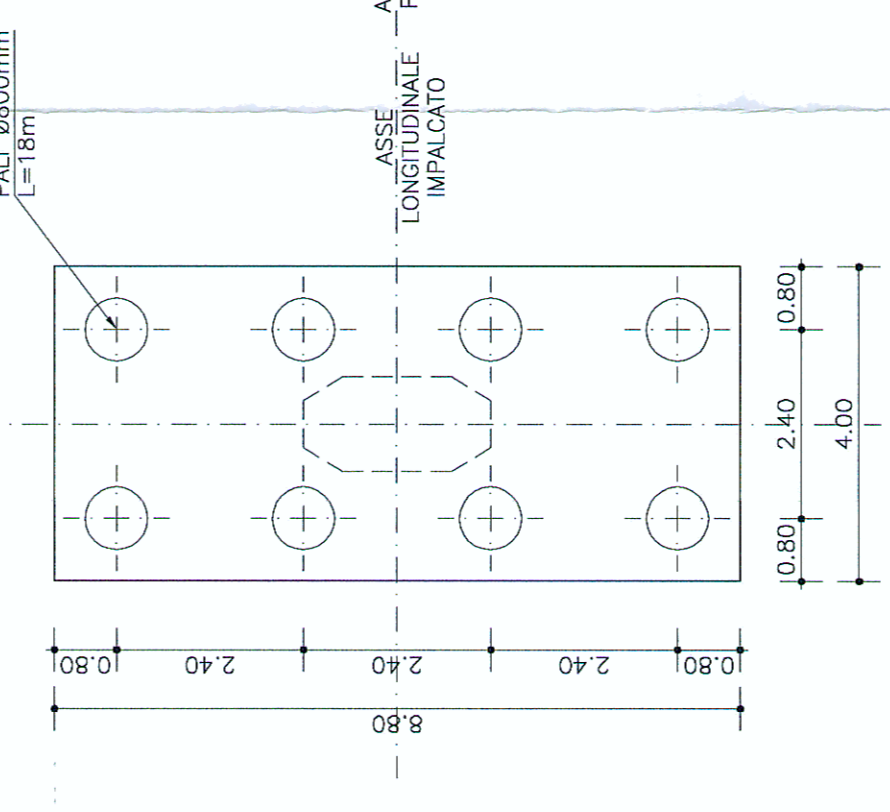
SEZIONE B-B PILA 6
scala 1:100



VISTA A-A PILA 6
scala 1:100



PIANTA FONDAZIONE PILA 6
scala 1:100



SOCIETA' ITALIANA TRAFORD AUTOSTRADALE DEL FREINUS SIME, Sede legale: fraz. San Giuliano, 2 - 10059 Susa (TO)

RILOCALIZZAZIONE DELL'AUTOPORTO DI SUSA

SOVRAPASSO DI USCITA - RAMPA B - SOTTOSTRUTTURE

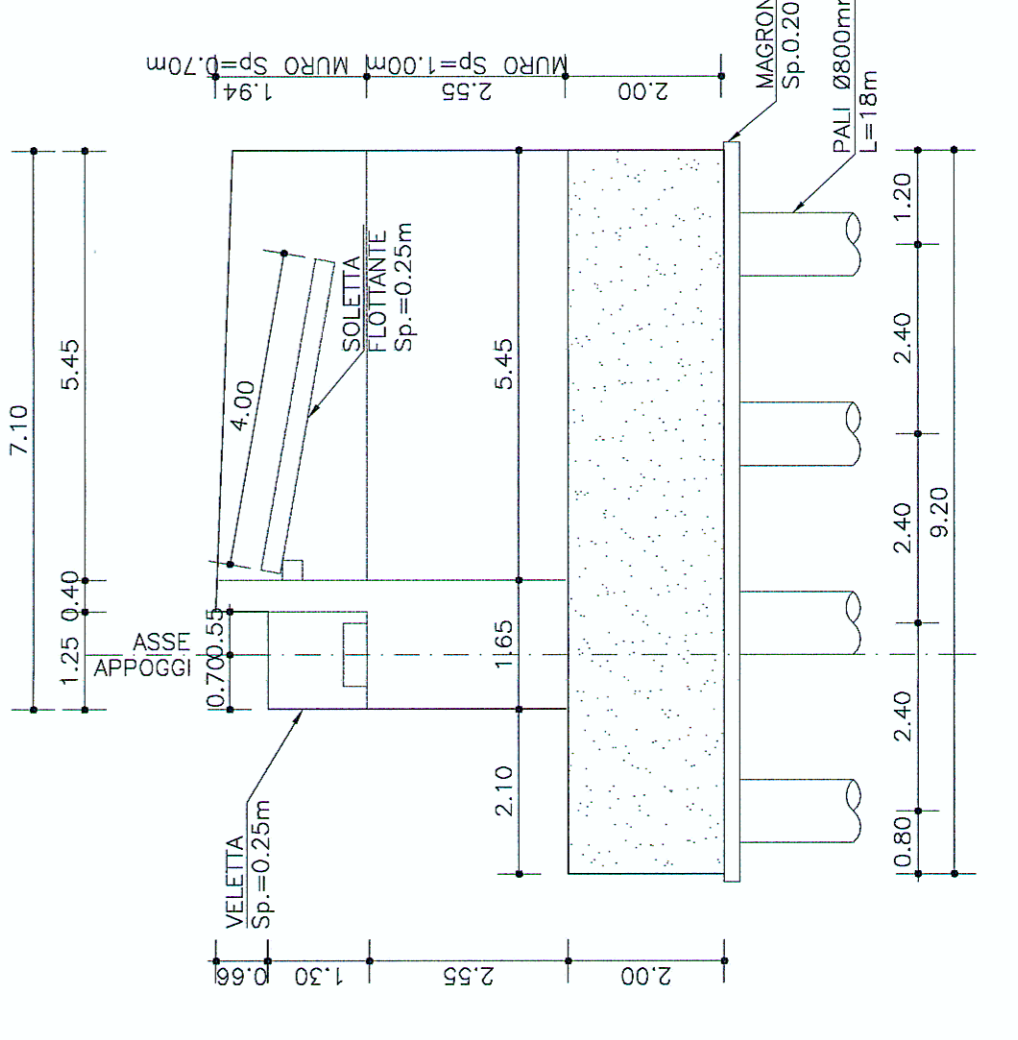
PROGETTO: SIME S.p.A. - Via S. Maria, 10 - 10059 Susa (TO) - Tel. 011/1372611 - Fax 011/1372612 - E-mail: sime@simet.it - Web: www.simet.it

REDAZIONE: SIME S.p.A. - Via S. Maria, 10 - 10059 Susa (TO) - Tel. 011/1372611 - Fax 011/1372612 - E-mail: sime@simet.it - Web: www.simet.it

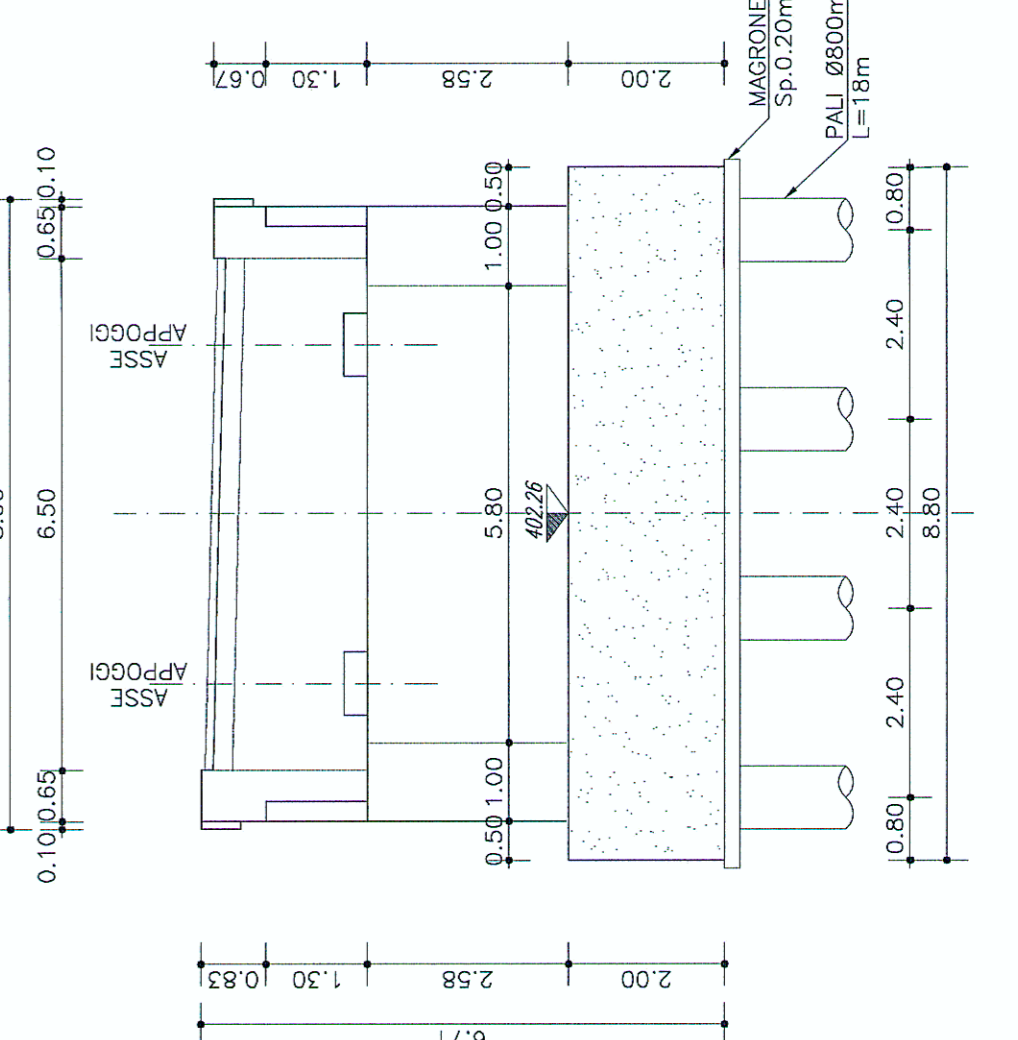
PROGETTO: SIME S.p.A. - Via S. Maria, 10 - 10059 Susa (TO) - Tel. 011/1372611 - Fax 011/1372612 - E-mail: sime@simet.it - Web: www.simet.it

REDAZIONE: SIME S.p.A. - Via S. Maria, 10 - 10059 Susa (TO) - Tel. 011/1372611 - Fax 011/1372612 - E-mail: sime@simet.it - Web: www.simet.it

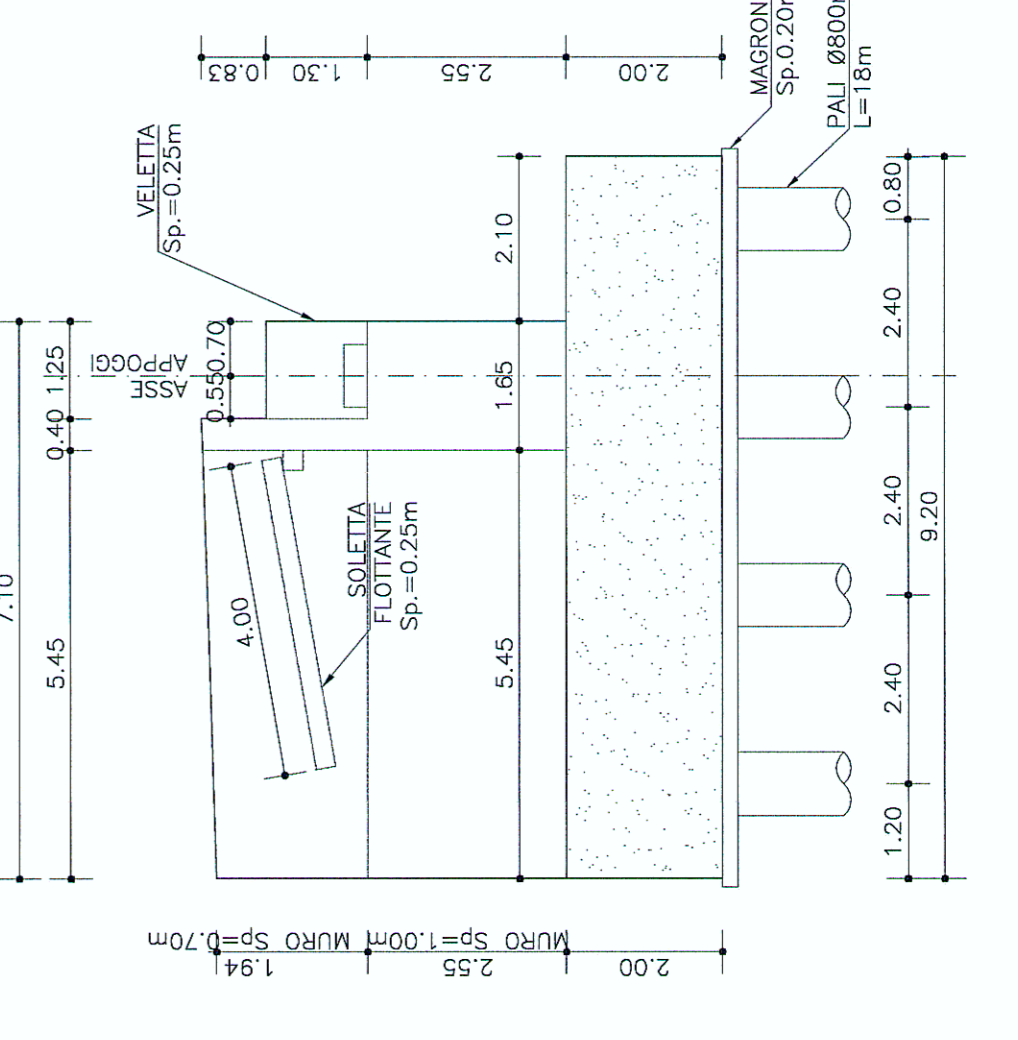
VISTA LATERALE B-B
scala 1:100



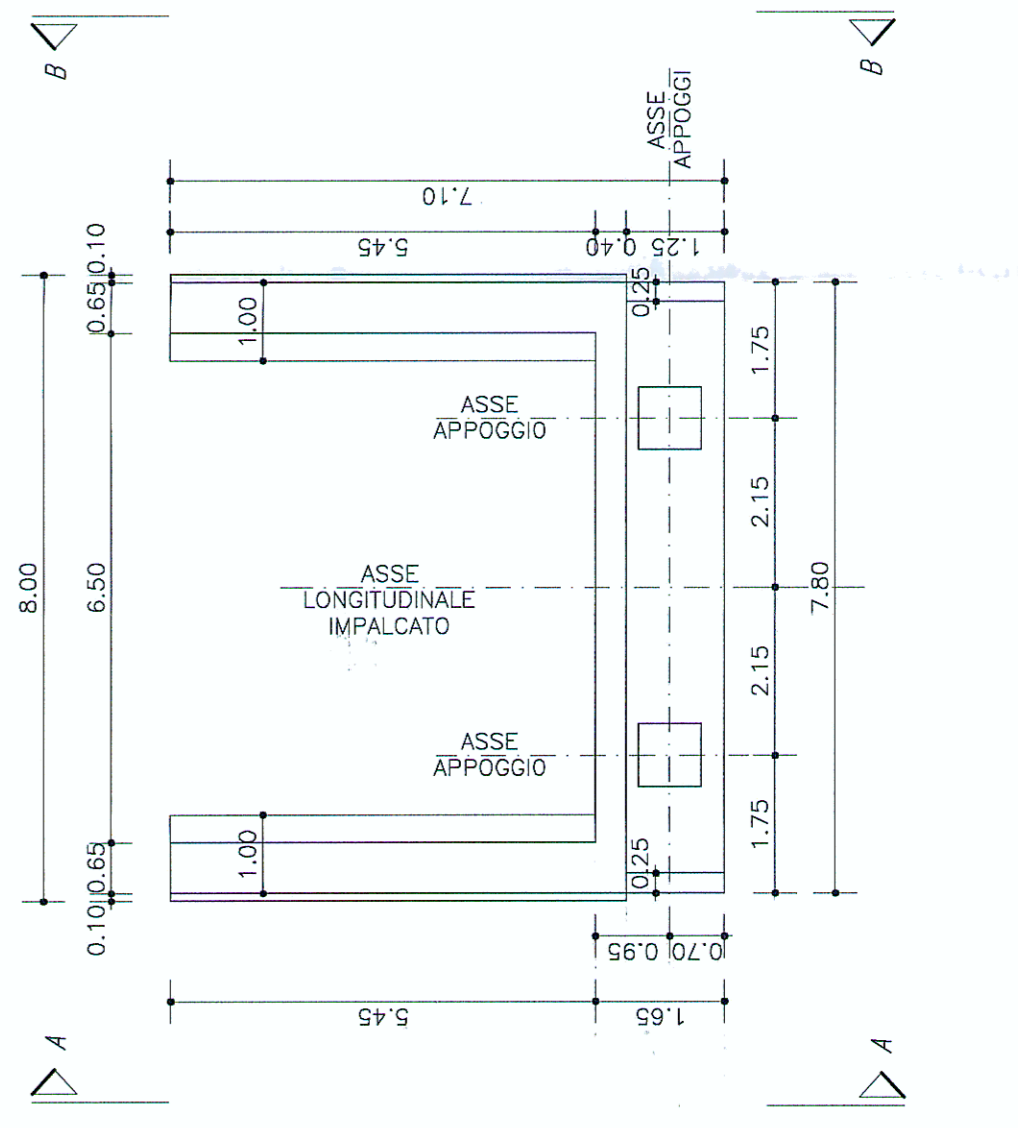
VISTA FRONTALE SPALLA S2
scala 1:100



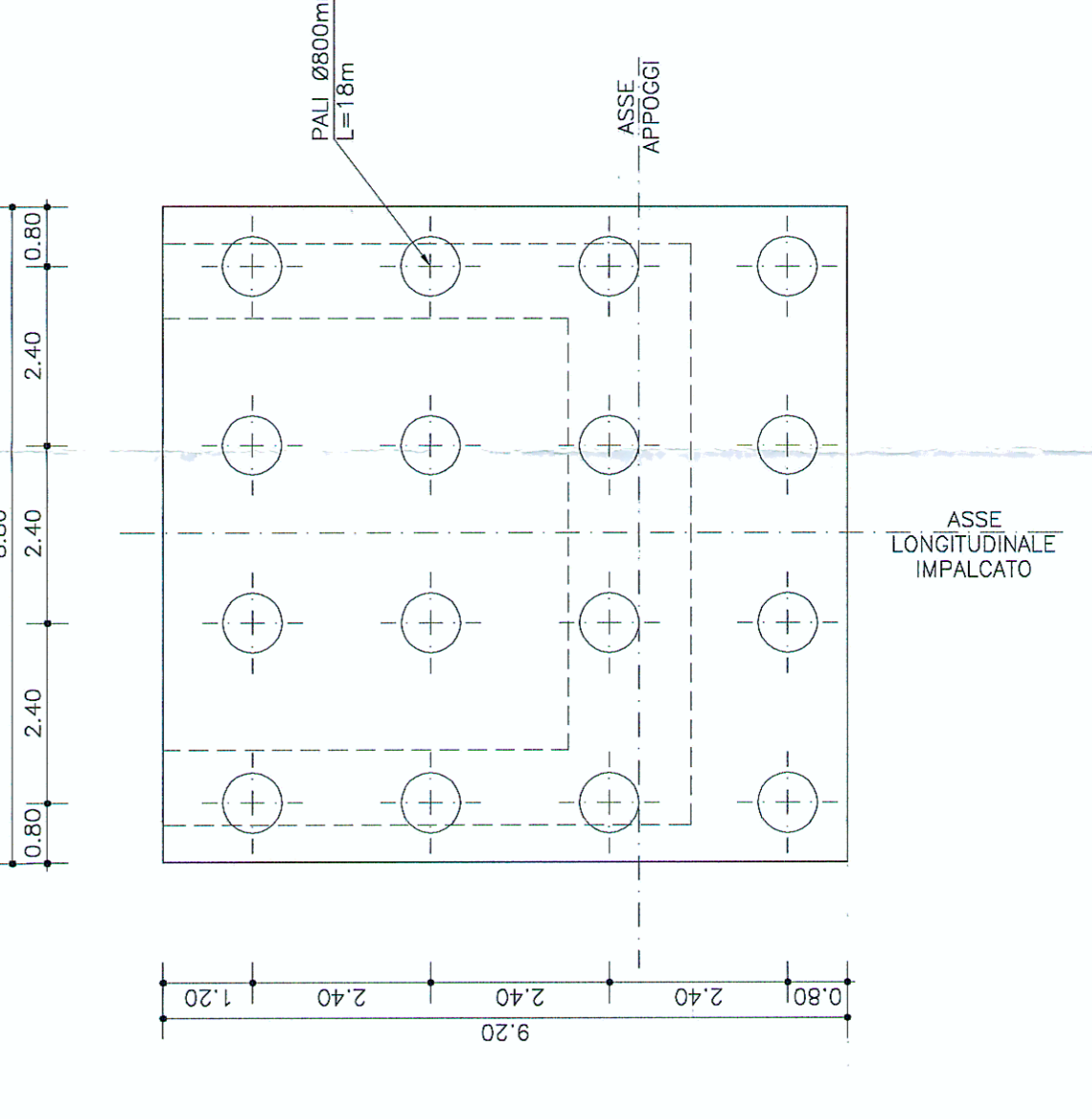
VISTA LATERALE A-A
scala 1:100



PIANTA SPALLA S2
scala 1:100



PIANTA FONDAZIONE SPALLA S2
scala 1:100



Scale: P 1:100, D 1:100, C 1:100, A 1:100, M 1:100, U 1:100, S 1:100, B 1:100, A 1:100, P 1:100, L 1:100, I 1:100, A 1:100

PROGETTO: SIME S.p.A. - Via S. Maria, 10 - 10059 Susa (TO) - Tel. 011/1372611 - Fax 011/1372612 - E-mail: sime@simet.it - Web: www.simet.it

REDAZIONE: SIME S.p.A. - Via S. Maria, 10 - 10059 Susa (TO) - Tel. 011/1372611 - Fax 011/1372612 - E-mail: sime@simet.it - Web: www.simet.it

PROGETTO: SIME S.p.A. - Via S. Maria, 10 - 10059 Susa (TO) - Tel. 011/1372611 - Fax 011/1372612 - E-mail: sime@simet.it - Web: www.simet.it

REDAZIONE: SIME S.p.A. - Via S. Maria, 10 - 10059 Susa (TO) - Tel. 011/1372611 - Fax 011/1372612 - E-mail: sime@simet.it - Web: www.simet.it