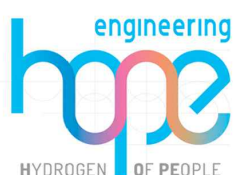


PROGETTO PER LA REALIZZAZIONE DI UN IMPIANTO PER LA
 PRODUZIONE DI ENERGIA MEDIANTE LO SFRUTTAMENTO DEL VENTO
 NEL MARE ADRIATICO MERIDIONALE - NEMETUN ISLAND
 63 WTG – 945 MW

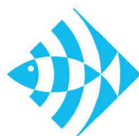
PROGETTO DEFINITIVO - SIA

GRUPPO DI PROGETTAZIONE

Progettazione e Studio di Impatto Ambientale



Indagini ambientali e studi specialistici



Studio misure di mitigazione e compensazione



Supervisione scientifica

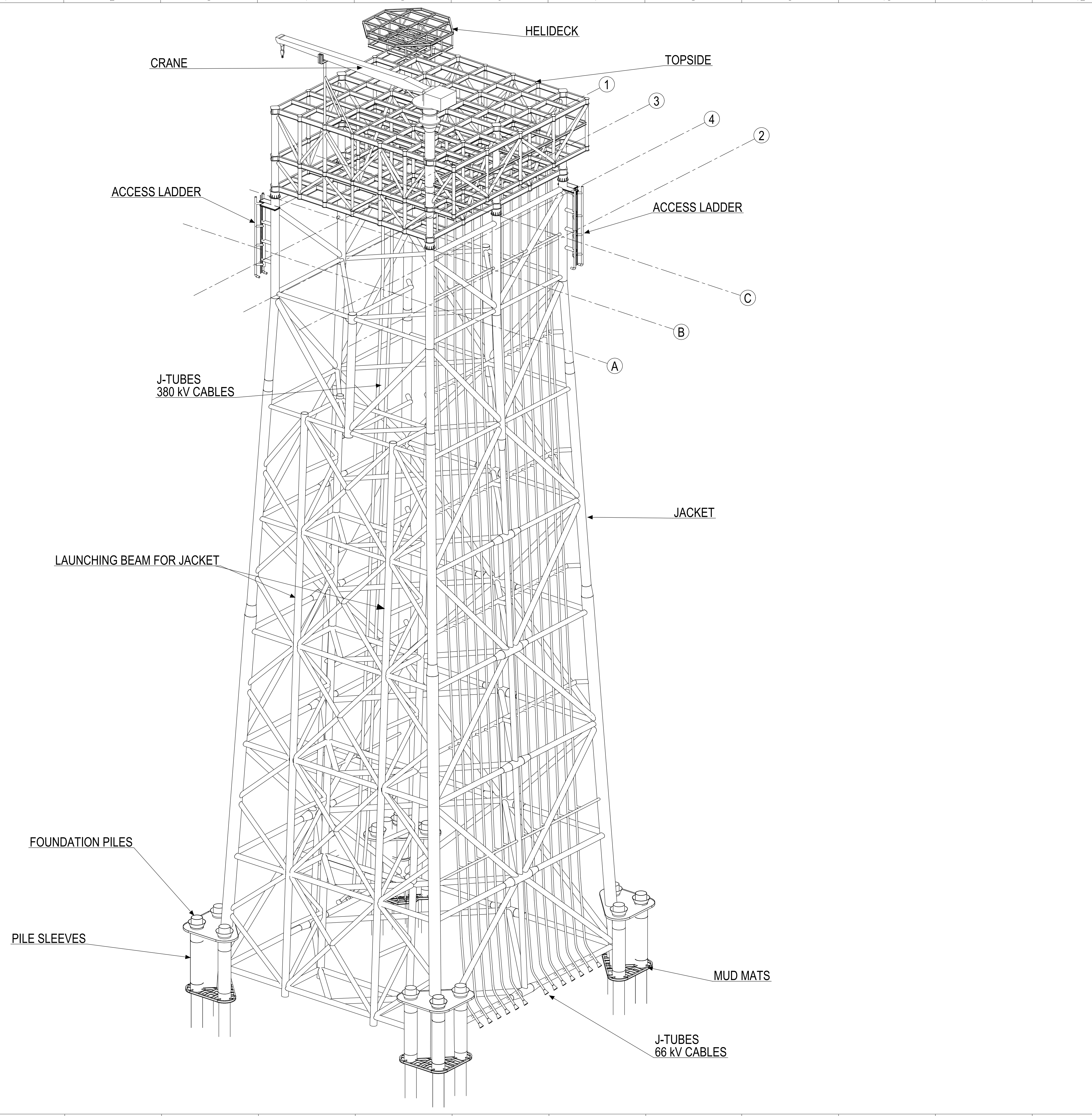


4. STAZIONE DI TRASFORMAZIONE OFFSHORE

T.4.2 Sottostazione Offshore - elaborati grafici strutture metalliche

REV.	DATA	DESCRIZIONE
00	02/24	1° emissione

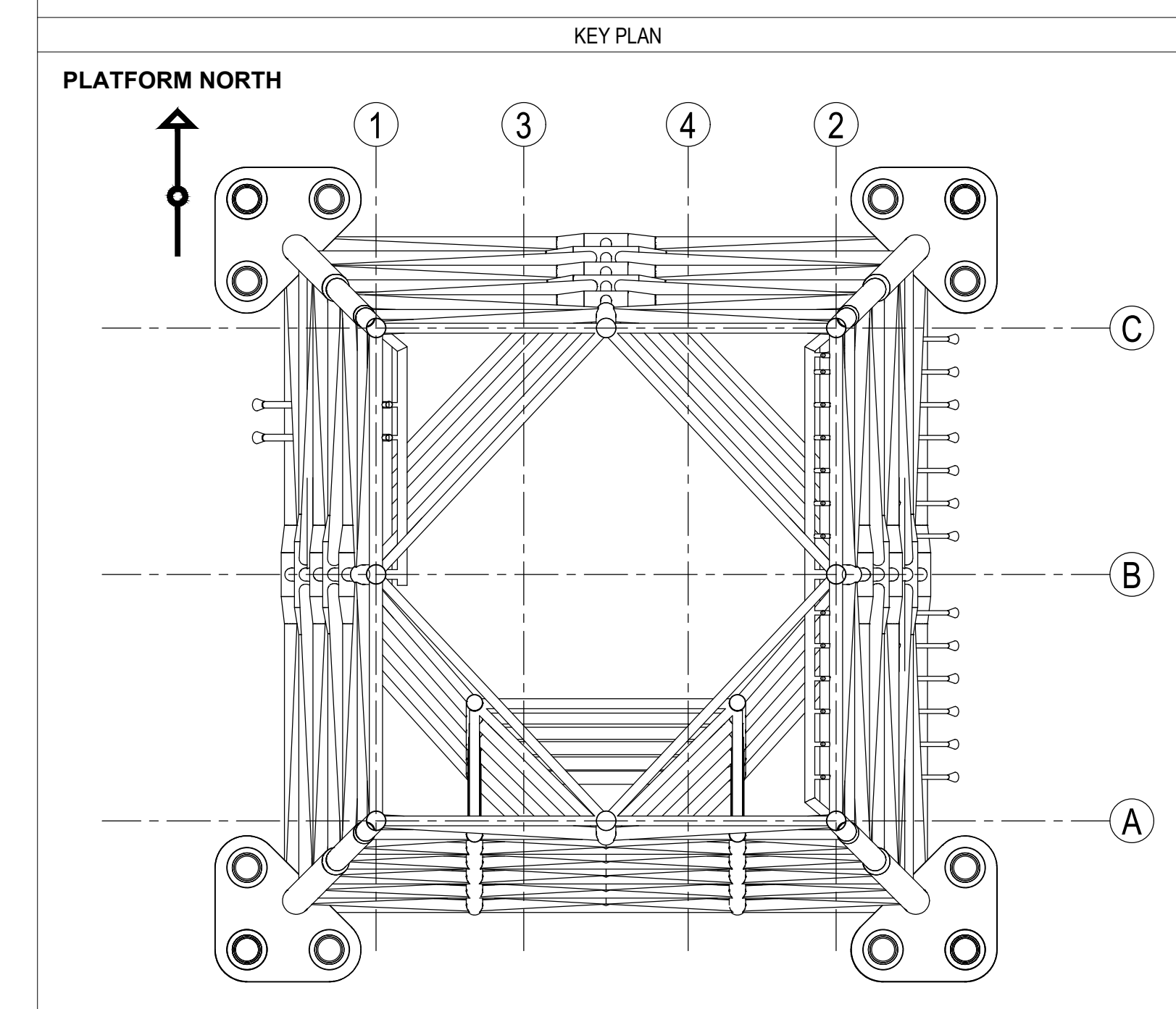




REFERENCE DOCUMENTS		
REF	DOC TAG	DESCRIPTION
1	12083-CDD-100	SUBSTATION - ASSEMBLY - ISOMETRIC VIEW

NOTES

1 - ALL DIMENSIONS ARE IN mm U.N.O.
 2 - ALL ELEVATION ARE IN m REFERRED TO L.A.T.



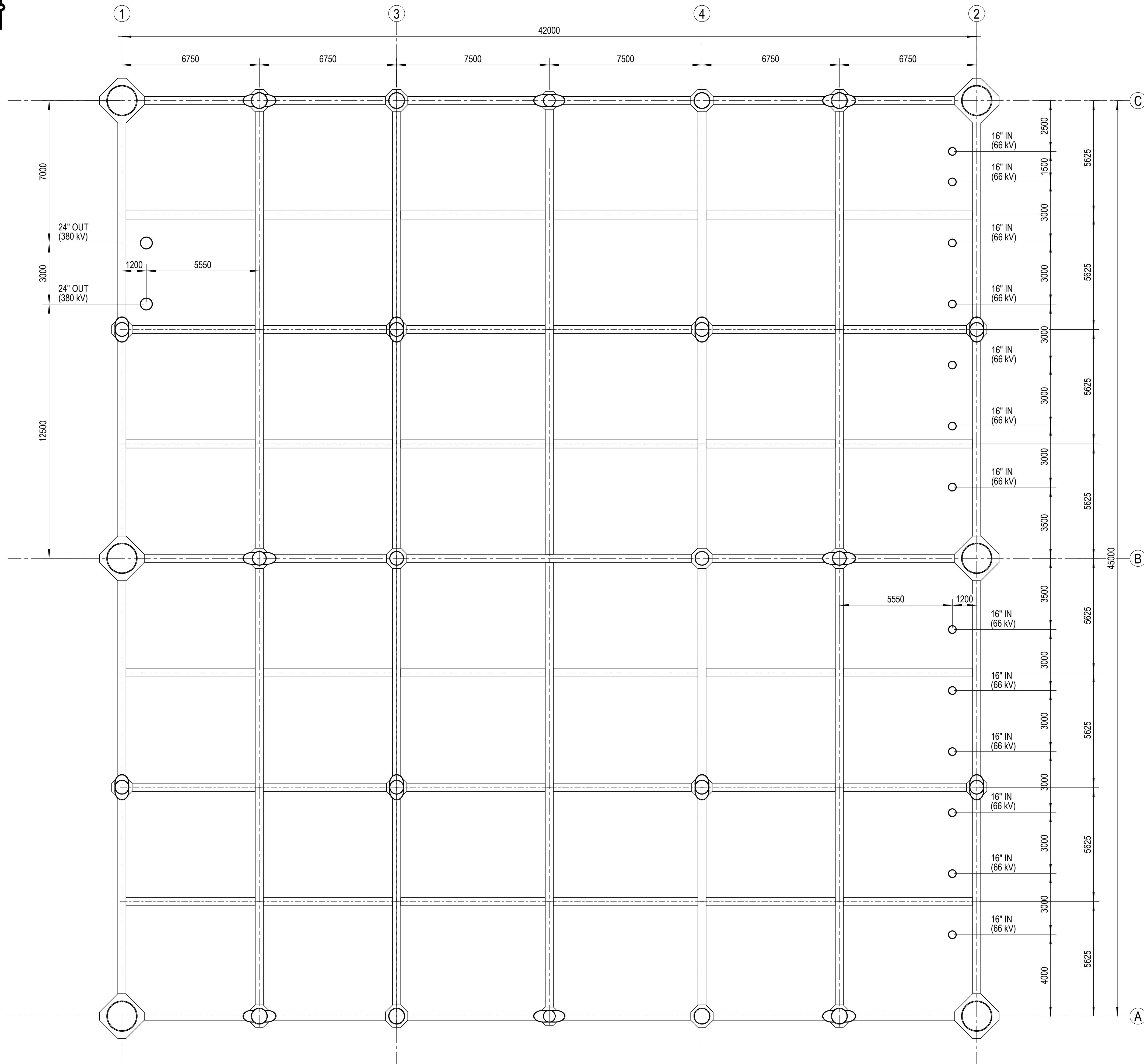
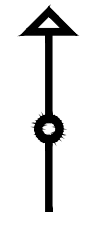
Rev	Date	Created by	Checked by	Approved by	Description
00	16.10.2023	FM	GP	MT	First Issue
Customer		Project			Customer Document ID
Nemetun		Nemetun Offshore Substation			-
Project ID		Replacing		Based on	Scale
12083		-		-	NTS
Responsible Department		Created by		Checked by	Approved by
-		Fabio Maroni		Giulio Pascolini	Mauro Tavola
Title		Document ID			
SUBSTATION ASSEMBLY - ISOMETRIC VIEW		12083-CDD-100			
KKS-N0: -		Rev.	Rel. Date	Page	
		00	16.10.2023	1/1	

File name: 12083-CDD-100_00.dwg



Mod. UNI - A1/0

PLATFORM NORTH



LEVEL 1 - PLAN AT EL. +16.00 TOS

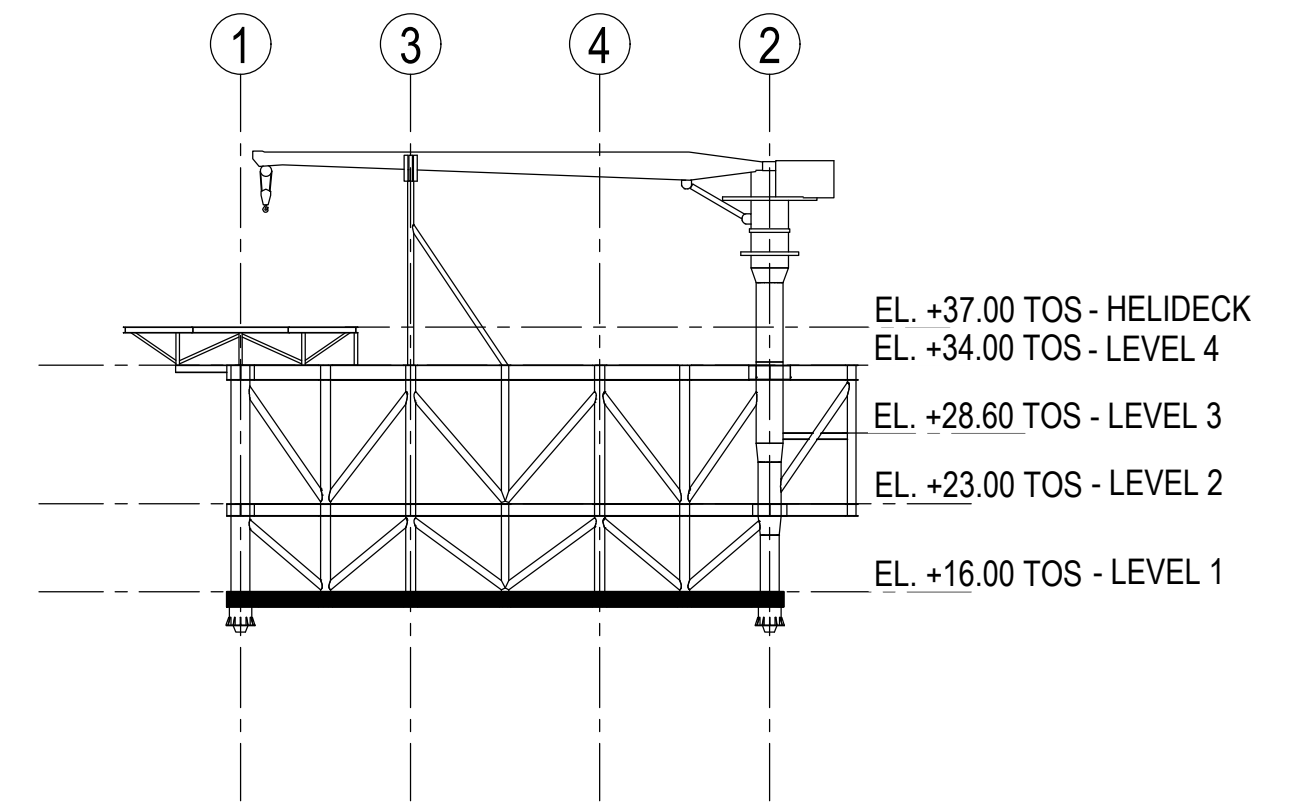
REFERENCE DOCUMENTS

REF	DOC TAG	DESCRIPTION
1	12083-CDD-100	SUBSTATION - ASSEMBLY - ISOMETRIC VIEW

NOTES

- 1 - ALL DIMENSIONS ARE IN mm U.N.O.
- 2 - ALL ELEVATION ARE IN m REFERRED TO L.A.T.

KEY ELEVATION



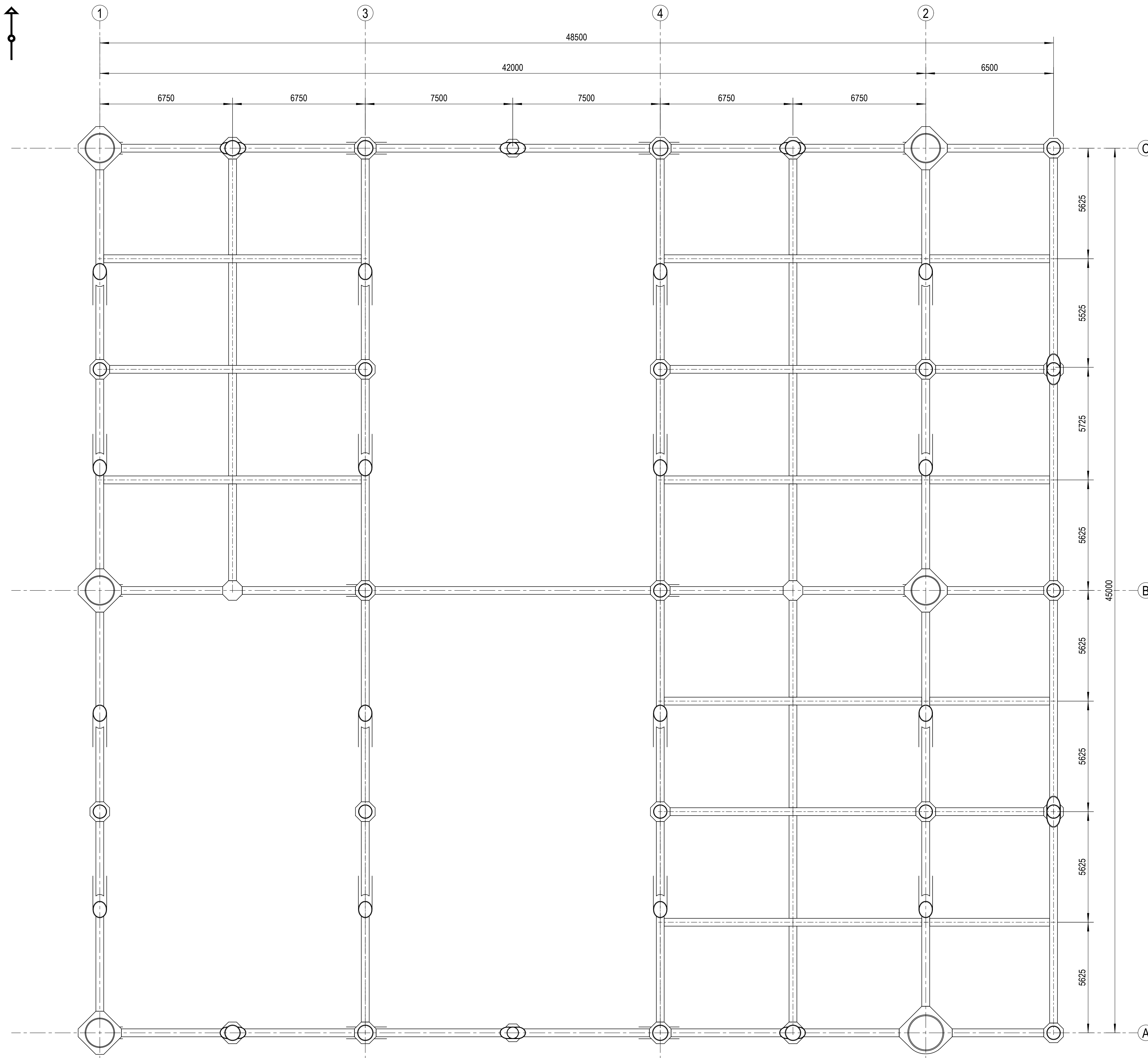
Rev	Date	Created by	Checked by	Approved by	Description
00	16.10.2023	FM	GP	MT	First Issue
Customer		Project			Customer Document ID
Nemetun		Nemetun Offshore Substation			-
Project ID		Replacing			Based on
12083		-			Scale
Responsible Department		Created by			Checked by
-		Fabio Maroni			Approved by
-		Giulio Pascolini			Mauro Tavola
Title		Document ID			
SUBSTATION TOPSIDES - LEVEL 1		12083-CDD-101			
KKS-N0: -		Rev.	Rel. Date	Page	
-		00	16.10.2023	1/1	

File name: 12083-CDD-101_00.dwg



Mod. UNI-A1/0

PLATFORM NORTH



LEVEL 2 - PLAN AT EL. +23.00 TOS

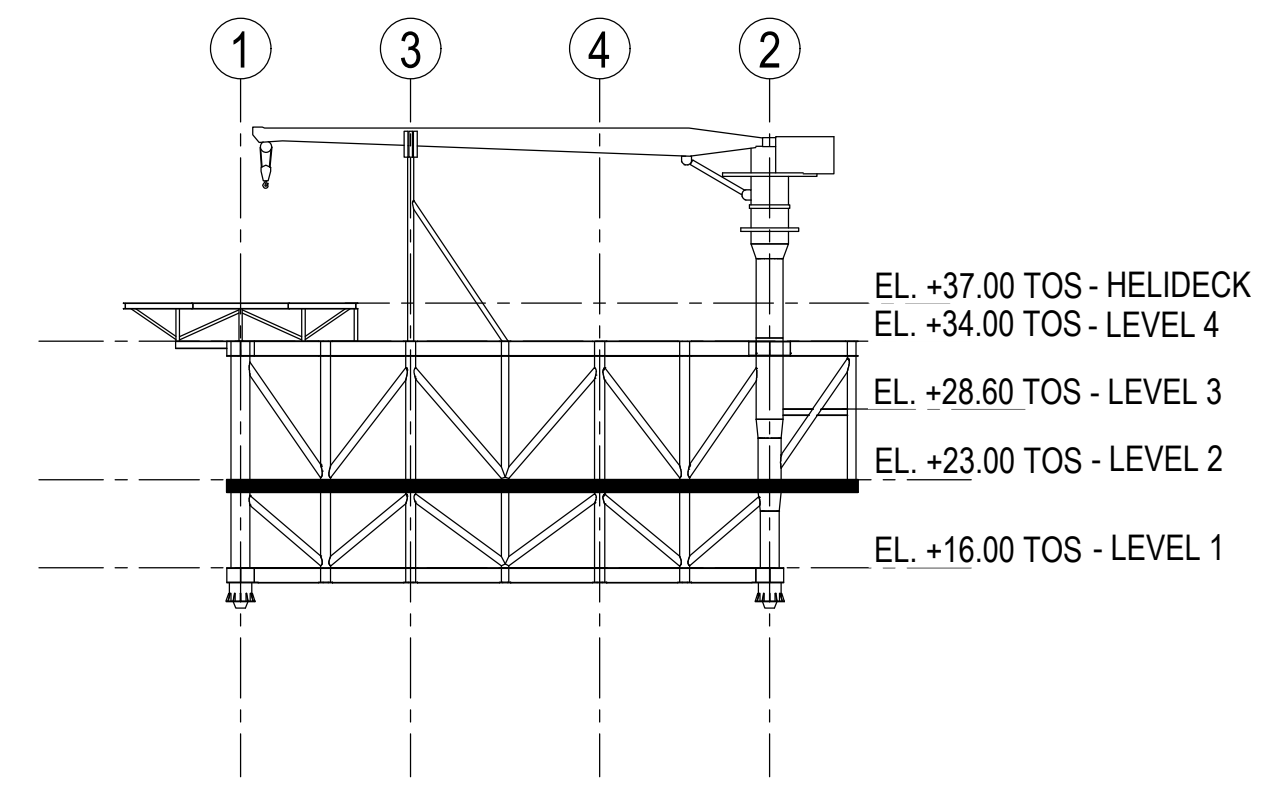
REFERENCE DOCUMENTS

REF	DOC TAG	DESCRIPTION
1	12083-CDD-100	SUBSTATION - ASSEMBLY - ISOMETRIC VIEW

NOTES

- 1 - ALL DIMENSIONS ARE IN mm U.N.O.
- 2 - ALL ELEVATION ARE IN m REFERRED TO L.A.T.

KEY ELEVATION



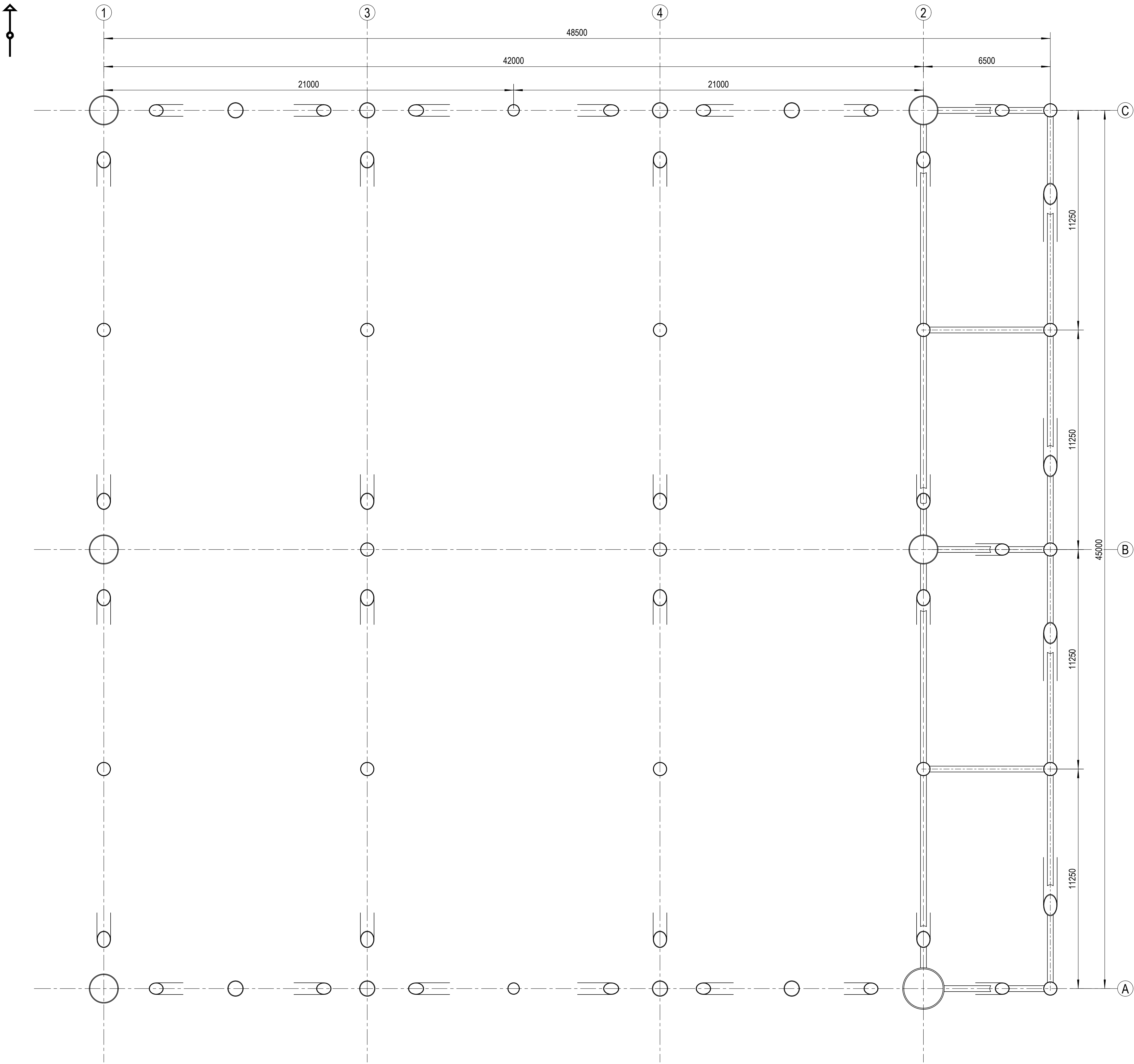
Rev	Date	Created by	Checked by	Approved by	Description
00	16.10.2023	FM	GP	MT	First Issue
Customer		Project			Customer Document ID
Nemetun		Nemetun Offshore Substation			-
Project ID		Replacing		Based on	Scale
12083		-		-	1:100
Responsible Department		Created by		Checked by	Approved by
-		Fabio Maroni		Giulio Pascolini	Mauro Tavola
Title		Document ID		Page	
SUBSTATION TOPSIDES - LEVEL 2		12083-CDD-102		1/1	
KKS-N0: -		Rev.		Rel. Date	Page
-		00		16.10.2023	1/1

File name: 12083-CDD-102_00.dwg



Mod. UNI-A1/0

PLATFORM NORTH



LEVEL 3 - PLAN AT EL +28.60 TOS

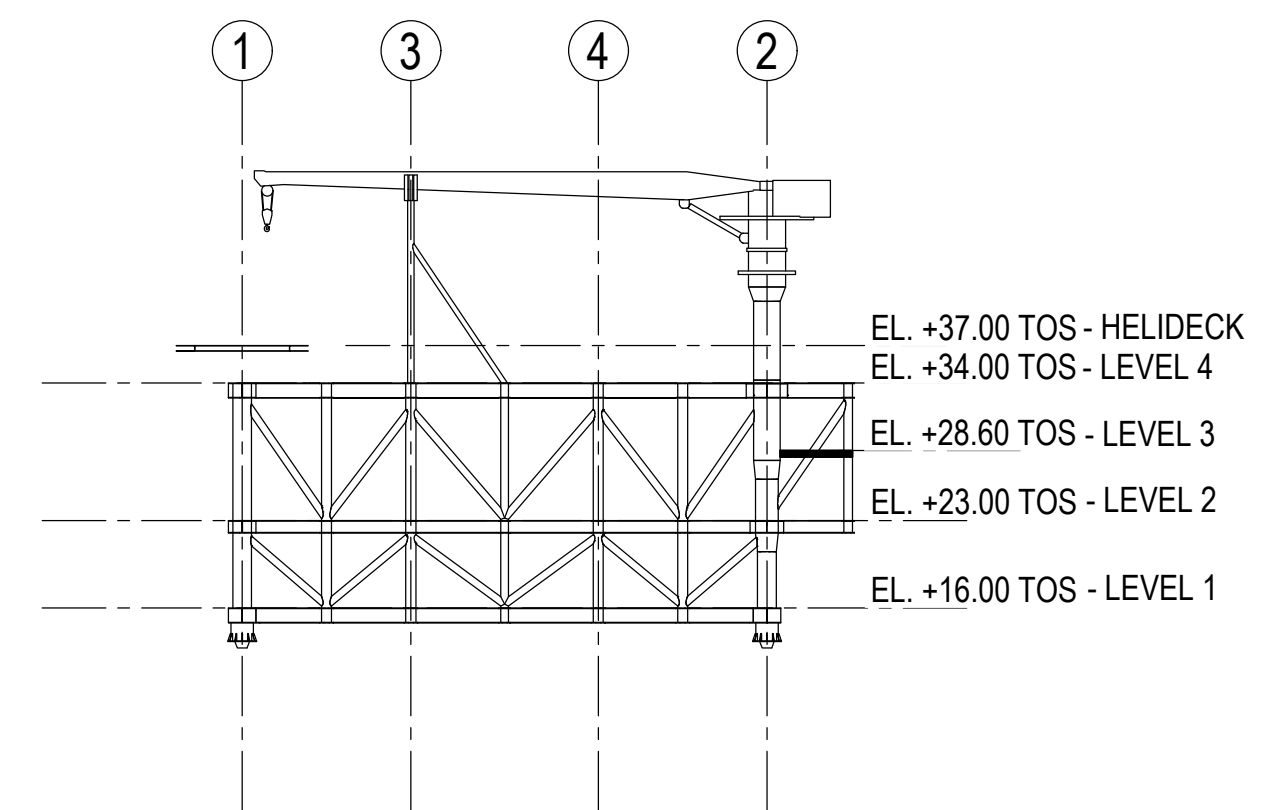
REFERENCE DOCUMENTS

REF	DOC TAG	DESCRIPTION
1	12083-CDD-100	SUBSTATION - ASSEMBLY - ISOMETRIC VIEW

NOTES

- 1 - ALL DIMENSIONS ARE IN mm U.N.O.
- 2 - ALL ELEVATION ARE IN m REFERRED TO L.A.T.

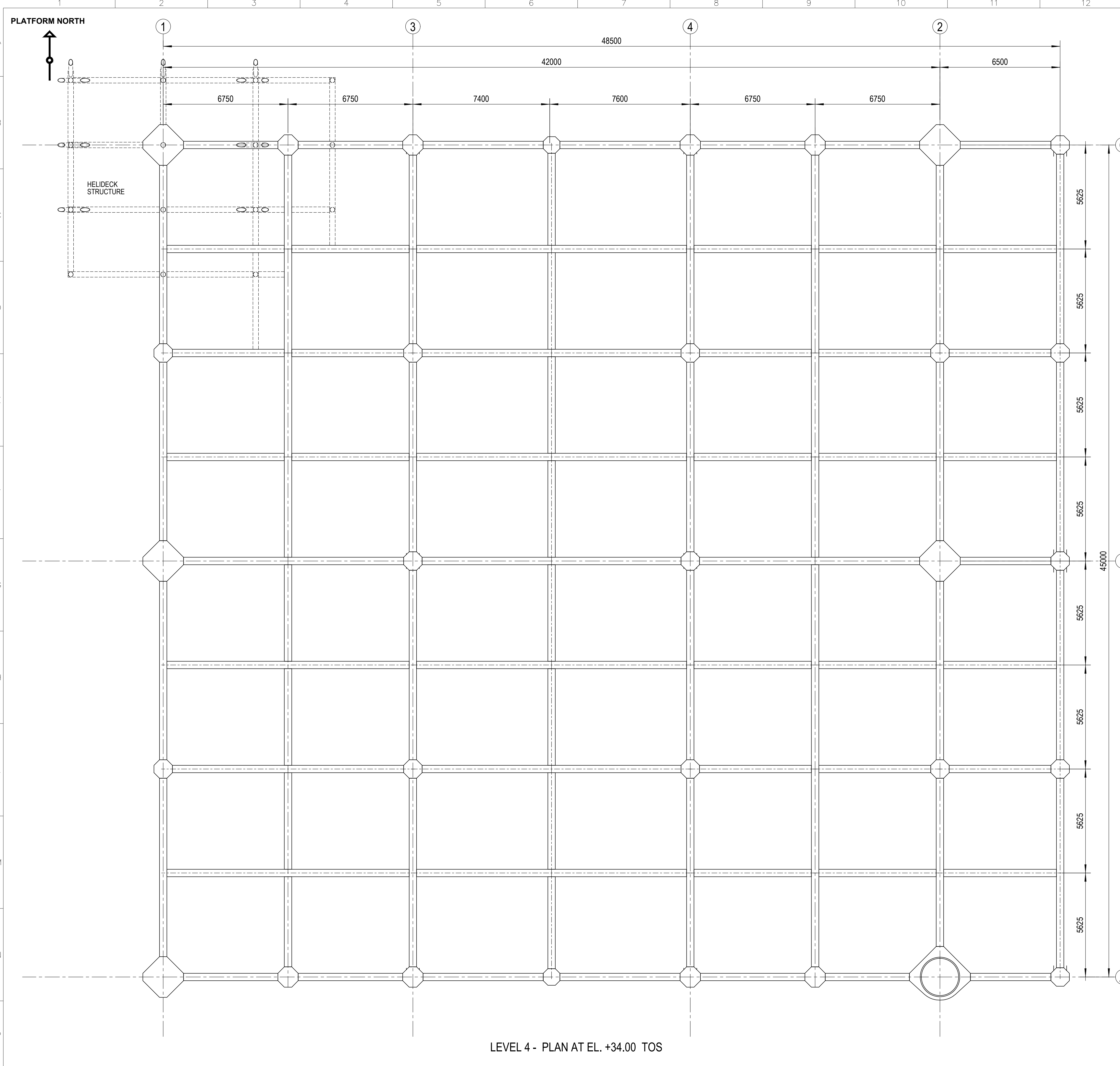
KEY ELEVATION



00	16.10.2023	FM	GP	MT	First Issue
Rev.	Date	Created by	Checked by	Approved by	Description
Customer		Project		Customer Document ID	
Nemetun		Nemetun Offshore Substation		-	
Project ID		Replacing		Based on	
12083		-		-	
Responsible Department		Created by		Checked by	
-		Fabio Maroni		Giulio Pascolini	
Approved by		Title		Document ID	
Mauro Tavola		SUBSTATION TOPSIDES - LEVEL 3		12083-CDD-103	
KKS-N0: -		Rev.		Rel. Date	
-		00		16.10.2023	
Page		1/1			

File name: 12083-CDD-103_00.dwg



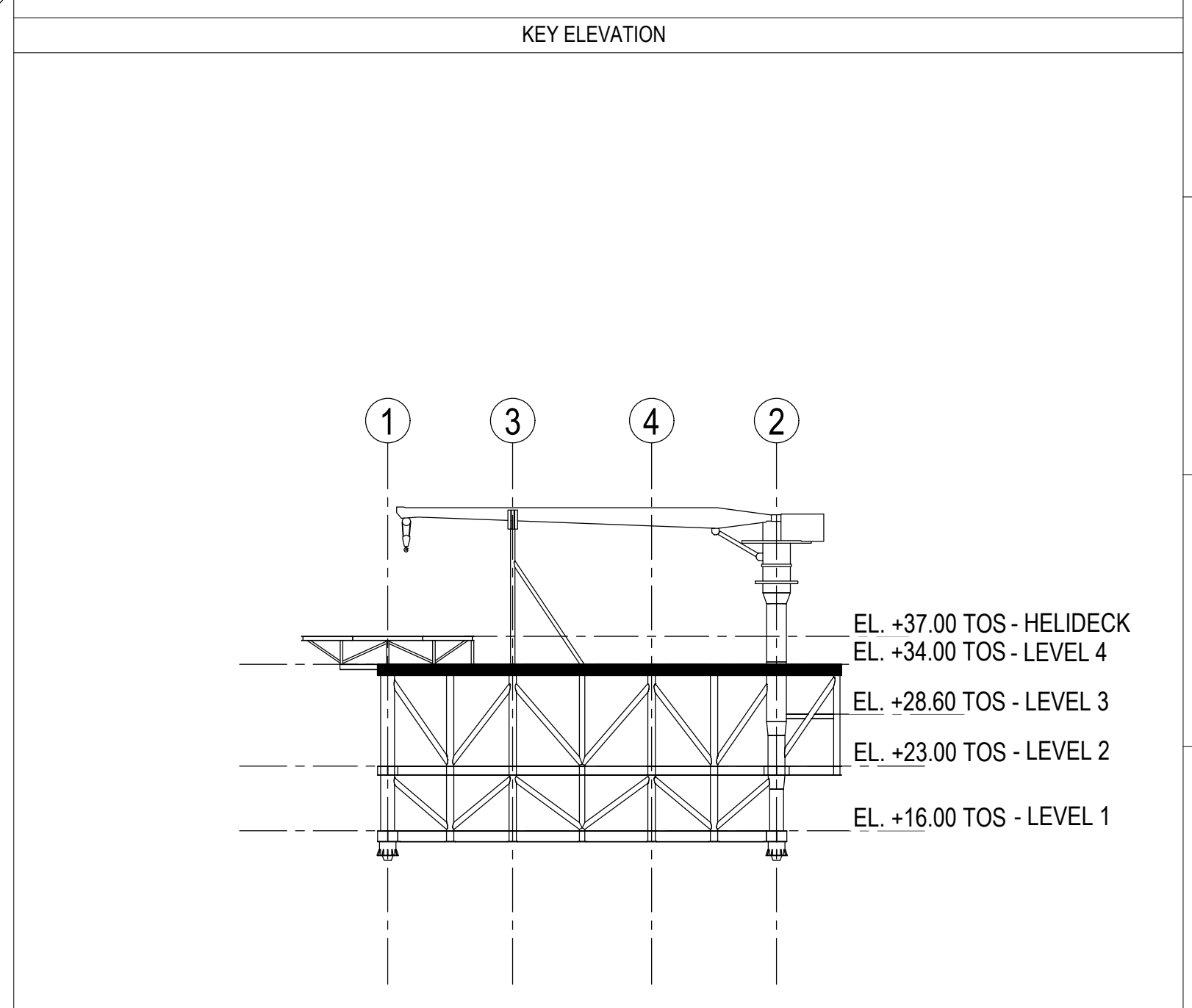


LEVEL 4 - PLAN AT EL. +34.00 TOS

REFERENCE DOCUMENTS		
REF	DOC TAG	DESCRIPTION
1	12083-CDD-100	SUBSTATION - ASSEMBLY - ISOMETRIC VIEW

NOTES

1 - ALL DIMENSIONS ARE IN mm U.N.O.
 2 - ALL ELEVATION ARE IN m REFERRED TO L.A.T.



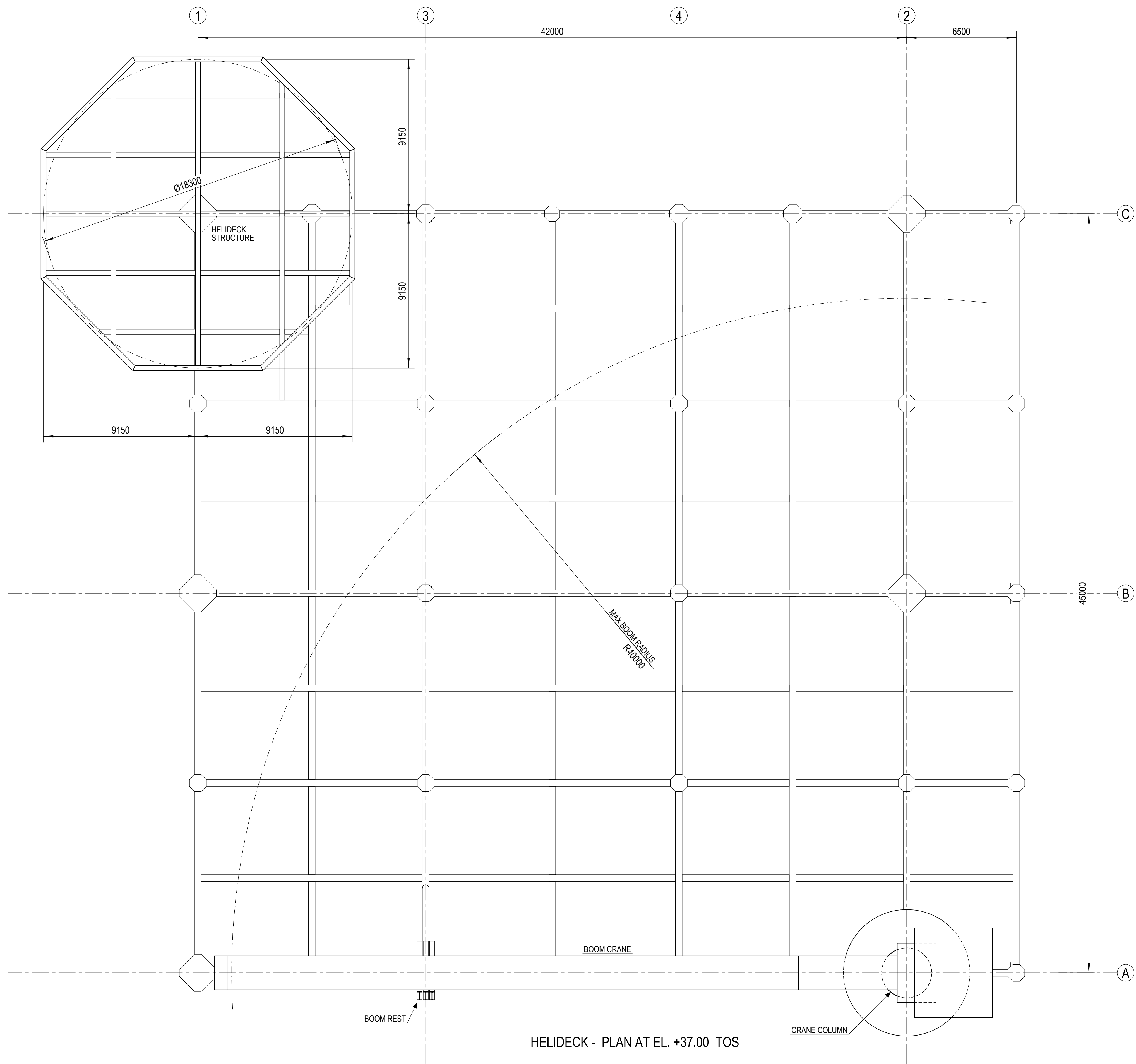
Rev.	Date	Created by	Checked by	Approved by	Description
00	16.10.2023	FM	GP	MT	First Issue
Customer		Project			Customer Document ID
Nemetun		Nemetun Offshore Substation			-
Project ID		Replacing		Based on	Scale
12083		-		-	1:100
Responsible Department		Created by		Checked by	Approved by
-		Fabio Maroni		Giulio Pascolini	Mauro Tavola
Title		Document ID		Page	
SUBSTATION TOPSIDES - LEVEL 4		12083-CDD-104		1/1	
KKS-N0: -		Rev.	Rel. Date	Page	
-		00	16.10.2023	1/1	

File name: 12083-CDD-104_00.dwg



Mod. UNI-A1/0

PLATFORM NORTH



HELIDECK - PLAN AT EL. +37.00 TOS

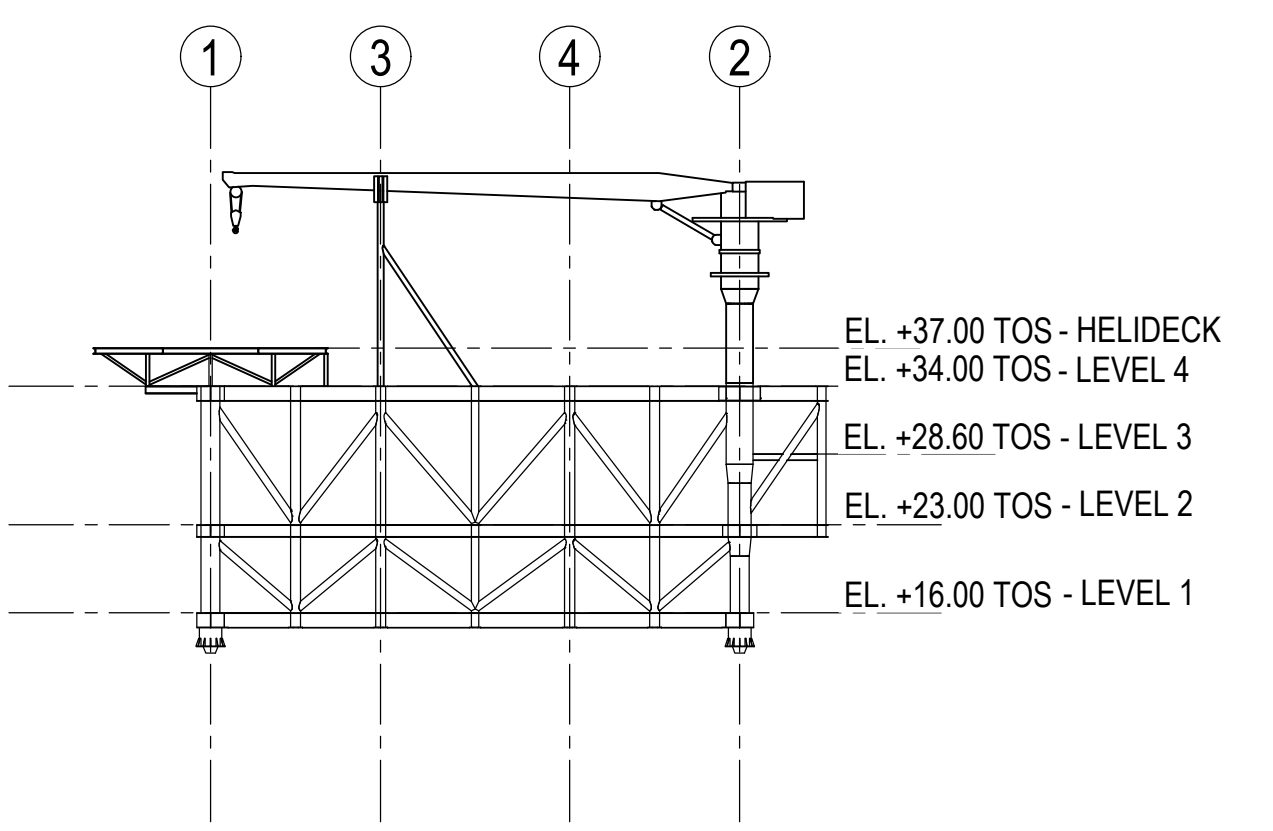
REFERENCE DOCUMENTS

REF	DOC TAG	DESCRIPTION
1	12083-CDD-100	SUBSTATION - ASSEMBLY - ISOMETRIC VIEW

NOTES

- 1 - ALL DIMENSIONS ARE IN mm U.N.O.
- 2 - ALL ELEVATION ARE IN m REFERRED TO L.A.T.

KEY ELEVATION

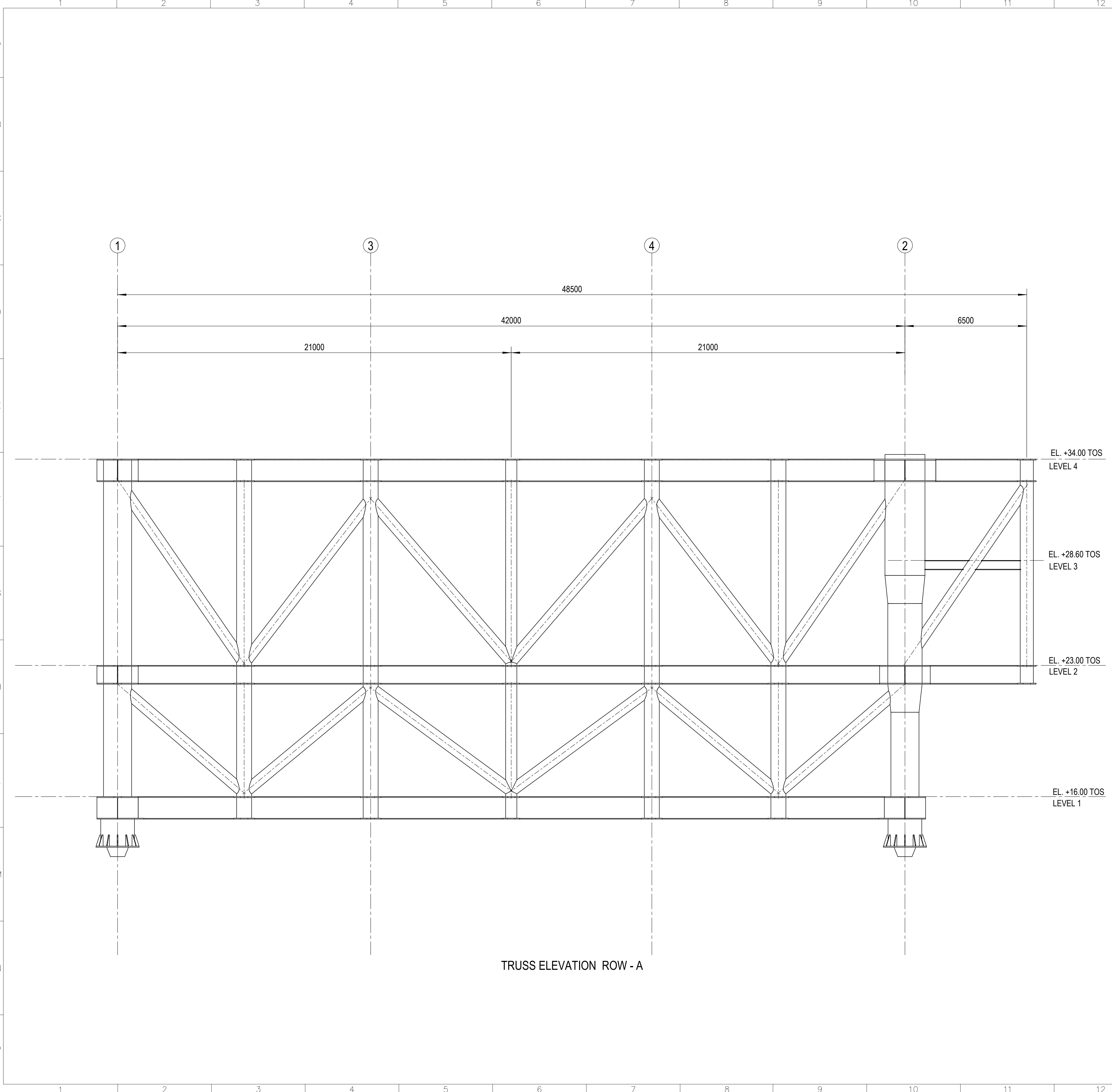


Rev	Date	Created by	Checked by	Approved by	Description
00	16.10.2023	FM	GP	MT	First Issue
Customer		Project			Customer Document ID
Nemetun		Nemetun Offshore Substation			-
Project ID		Replacing	Based on	Scale	Format
12083		-	-	1:100	A1
Responsible Department		Created by	Checked by	Approved by	
-		Fabio Maroni	Giulio Pascolini	Mauro Tavola	
Title		Document ID			
SUBSTATION TOPSIDES - HELIDECK		12083-CDD-105			
KKS-N0: -		Rev.	Rel. Date	Page	
		00	16.10.2023	1/1	

File name: 12083-CDD-105_00.dwg



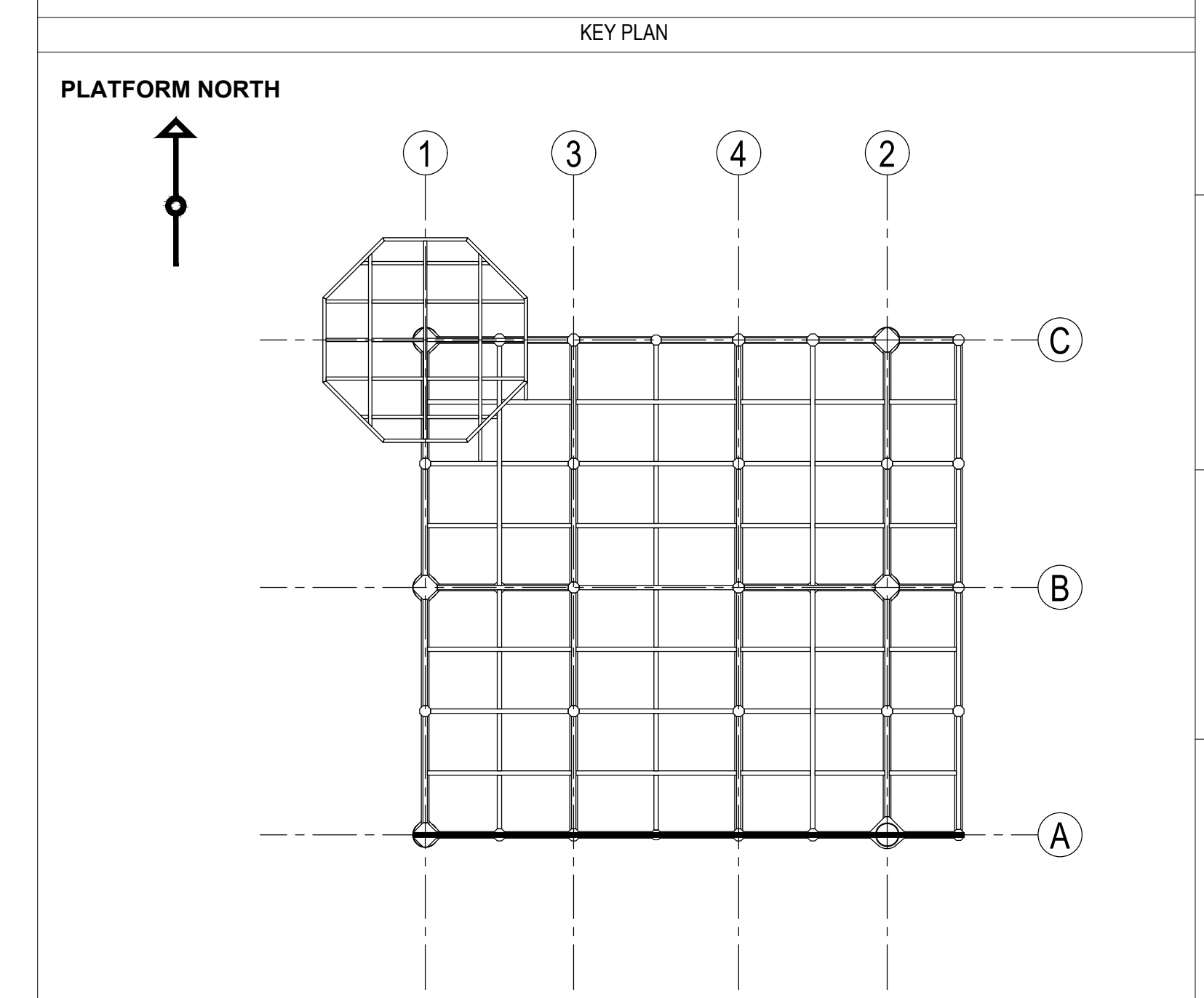
Mod. UNI-A1/0



REFERENCE DOCUMENTS		
REF	DOC TAG	DESCRIPTION
1	12083-CDD-100	SUBSTATION - ASSEMBLY - ISOMETRIC VIEW

NOTES

1 - ALL DIMENSIONS ARE IN mm U.N.O.
 2 - ALL ELEVATION ARE IN m REFERRED TO L.A.T.

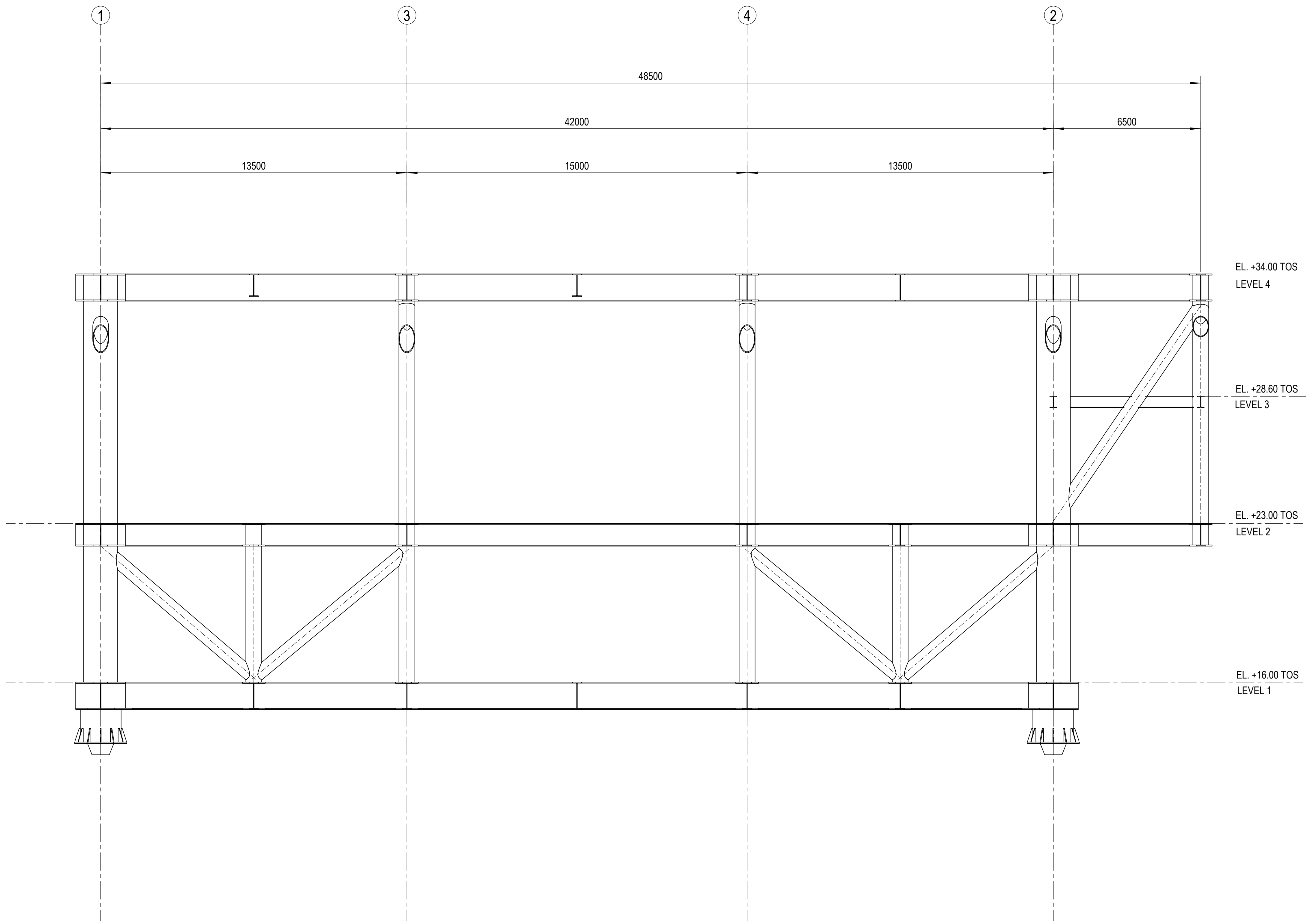


Rev	Date	Created by	Checked by	Approved by	Description
00	16.10.2023	FM	GP	MT	First Issue
Customer		Project			Customer Document ID
Nemetun		Nemetun Offshore Substation			-
Project ID		Replacing		Based on	Scale
12083		-		-	1:100
Responsible Department		Created by		Checked by	Approved by
-		Fabio Maroni		Giulio Pascolini	Mauro Tavola
Title		Document ID			Page
SUBSTATION TOPSIDES - ROW A		12083-CDD-106			1/1
KKS-N0: -		Rev.	Rel. Date	Page	
-		00	16.10.2023	1/1	

File name: 12083-CDD-106_00.dwg



Mod. UNI-A1/0

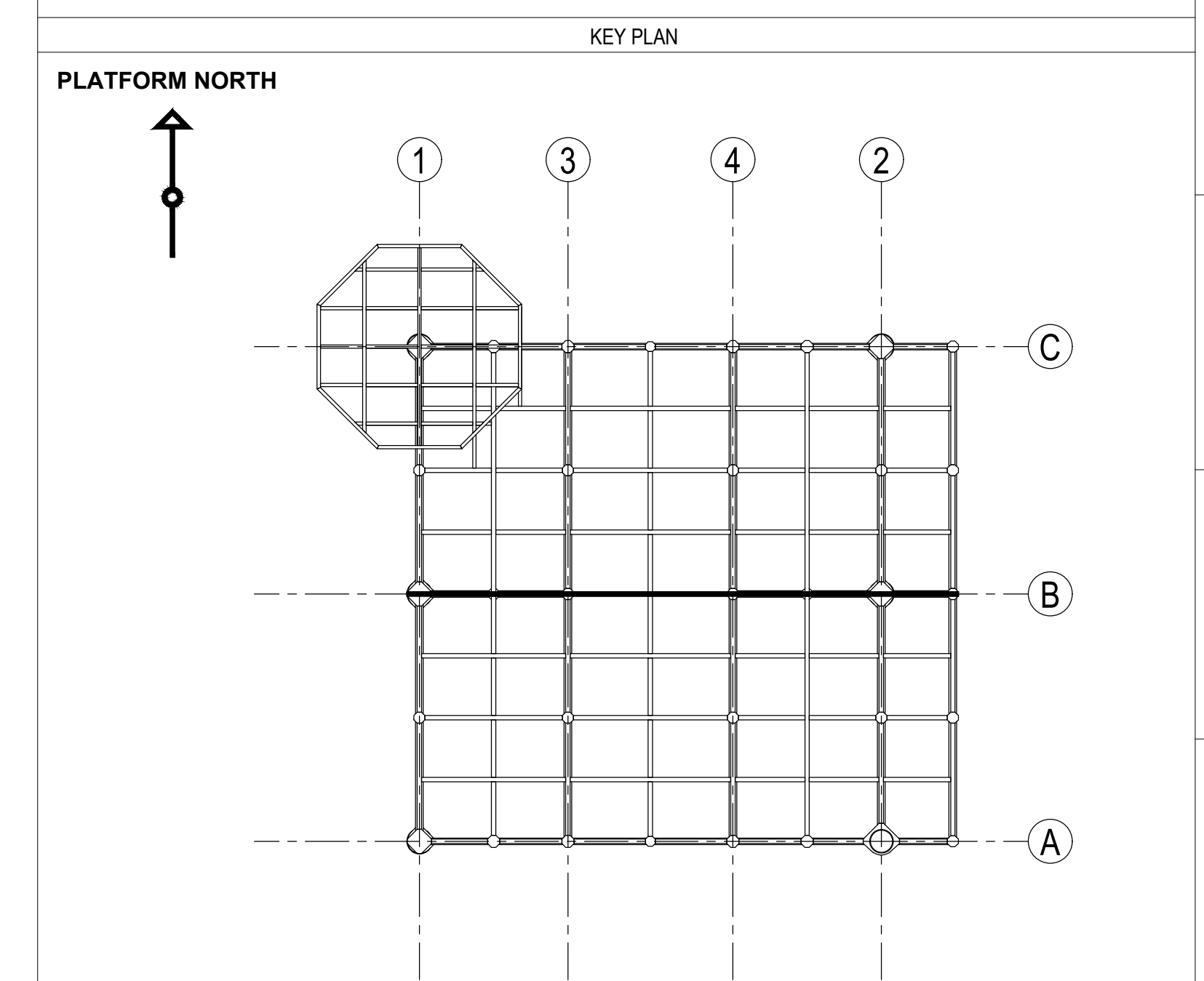


TRUSS ELEVATION ROW - B

REFERENCE DOCUMENTS		
REF	DOC TAG	DESCRIPTION
1	12083-CDD-100	SUBSTATION - ASSEMBLY - ISOMETRIC VIEW

NOTES

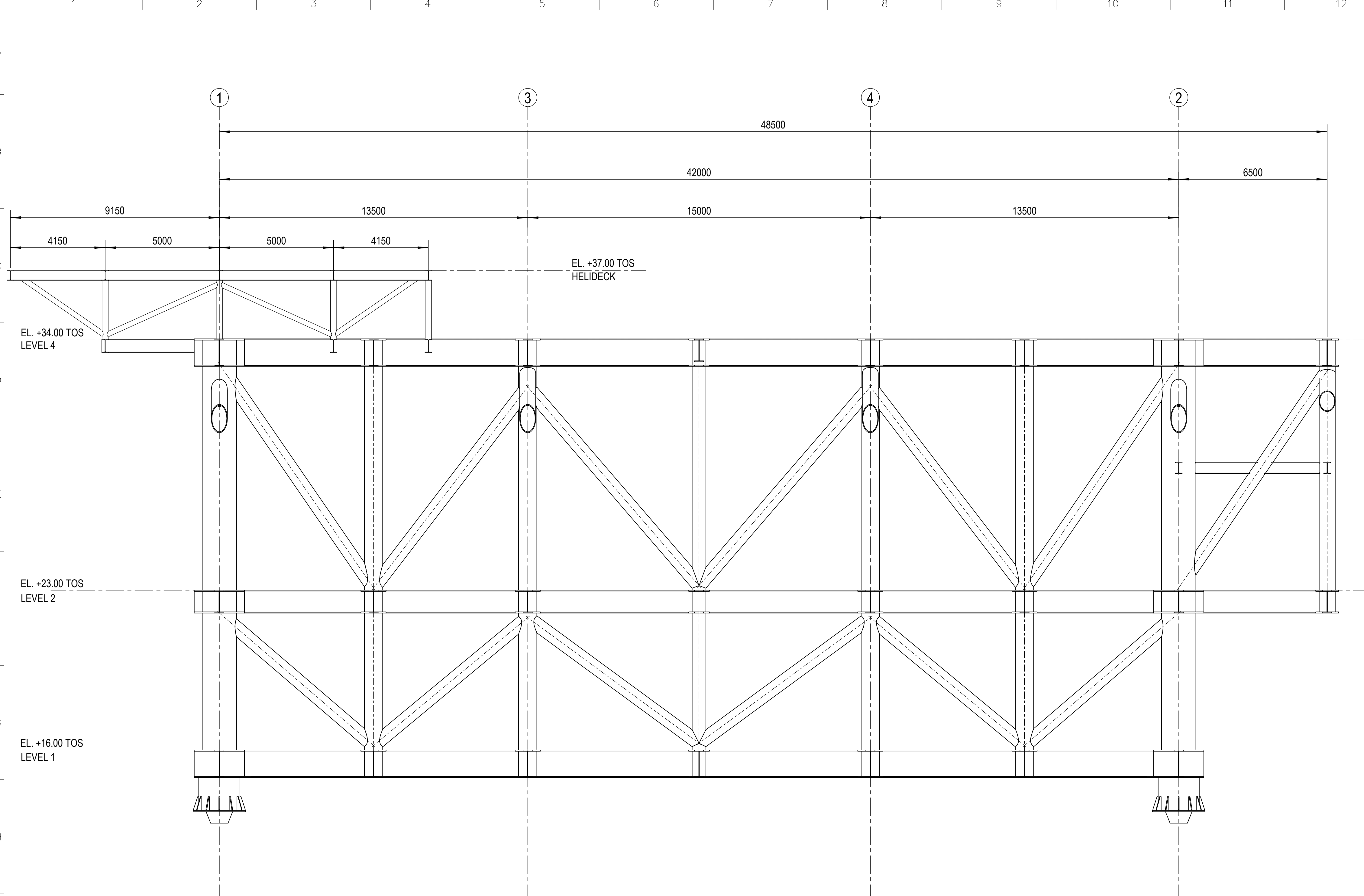
1 - ALL DIMENSIONS ARE IN mm U.N.O.
 2 - ALL ELEVATION ARE IN m REFERRED TO L.A.T.



Rev.	Date	Created by	Checked by	Approved by	Description
00	16.10.2023	FM	GP	MT	First Issue
Customer		Project		Customer Document ID	
Nemetun		Nemetun Offshore Substation		-	
Project ID		Replacing		Based on	
12083		-		-	
Responsible Department		Created by		Checked by	
-		Fabio Maroni		Giulio Pascolini	
Title		Document ID		Page	
SUBSTATION TOPSIDES - ROW B		12083-CDD-107		1/1	
KKS-Nr.: -		Rev.		Rel. Date	
-		00		16.10.2023	

File name: 12083-CDD-107_00.dwg



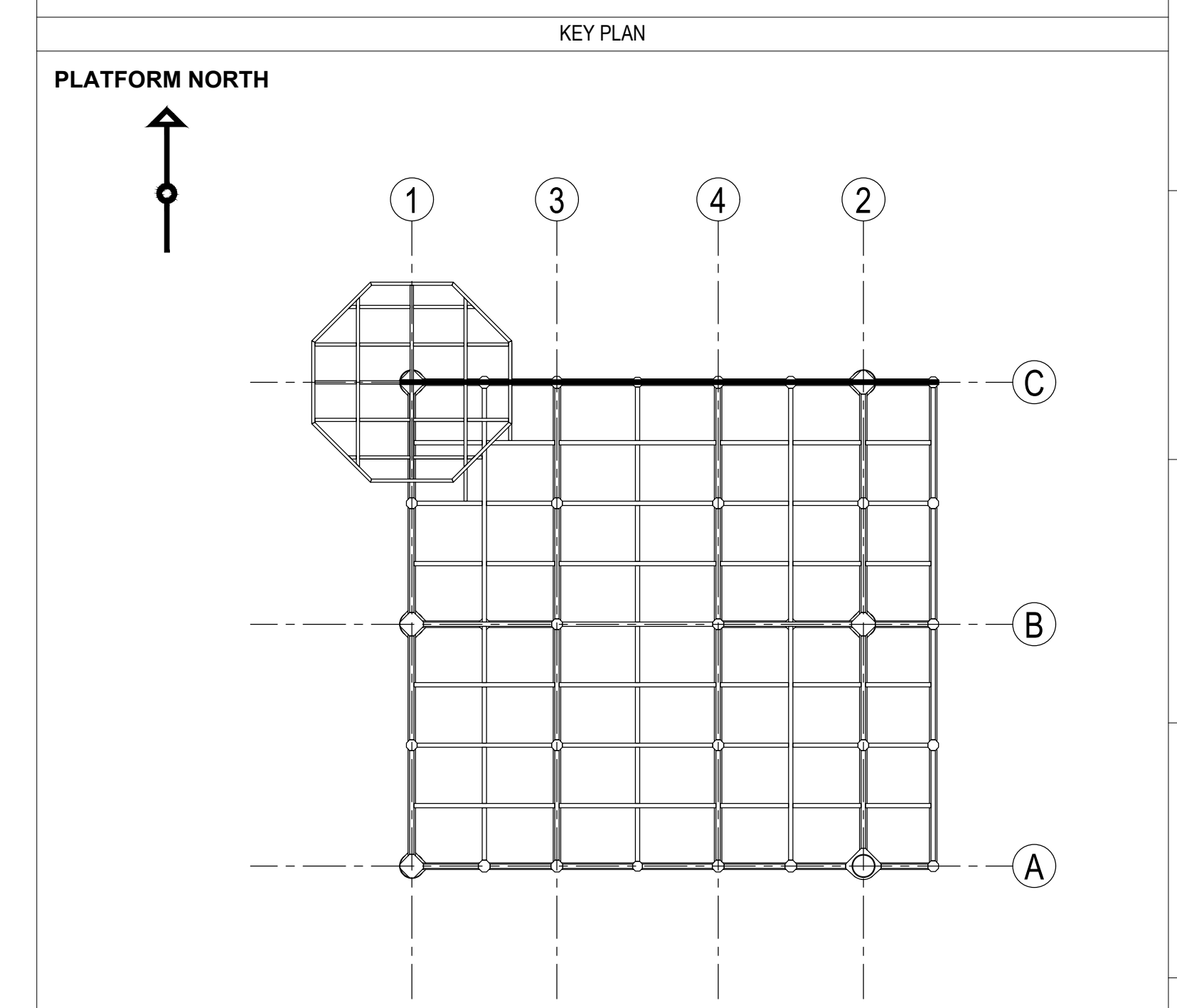


TRUSS ELEVATION ROW - C

REFERENCE DOCUMENTS		
REF	DOC TAG	DESCRIPTION
1	12083-CDD-100	SUBSTATION - ASSEMBLY - ISOMETRIC VIEW

NOTES

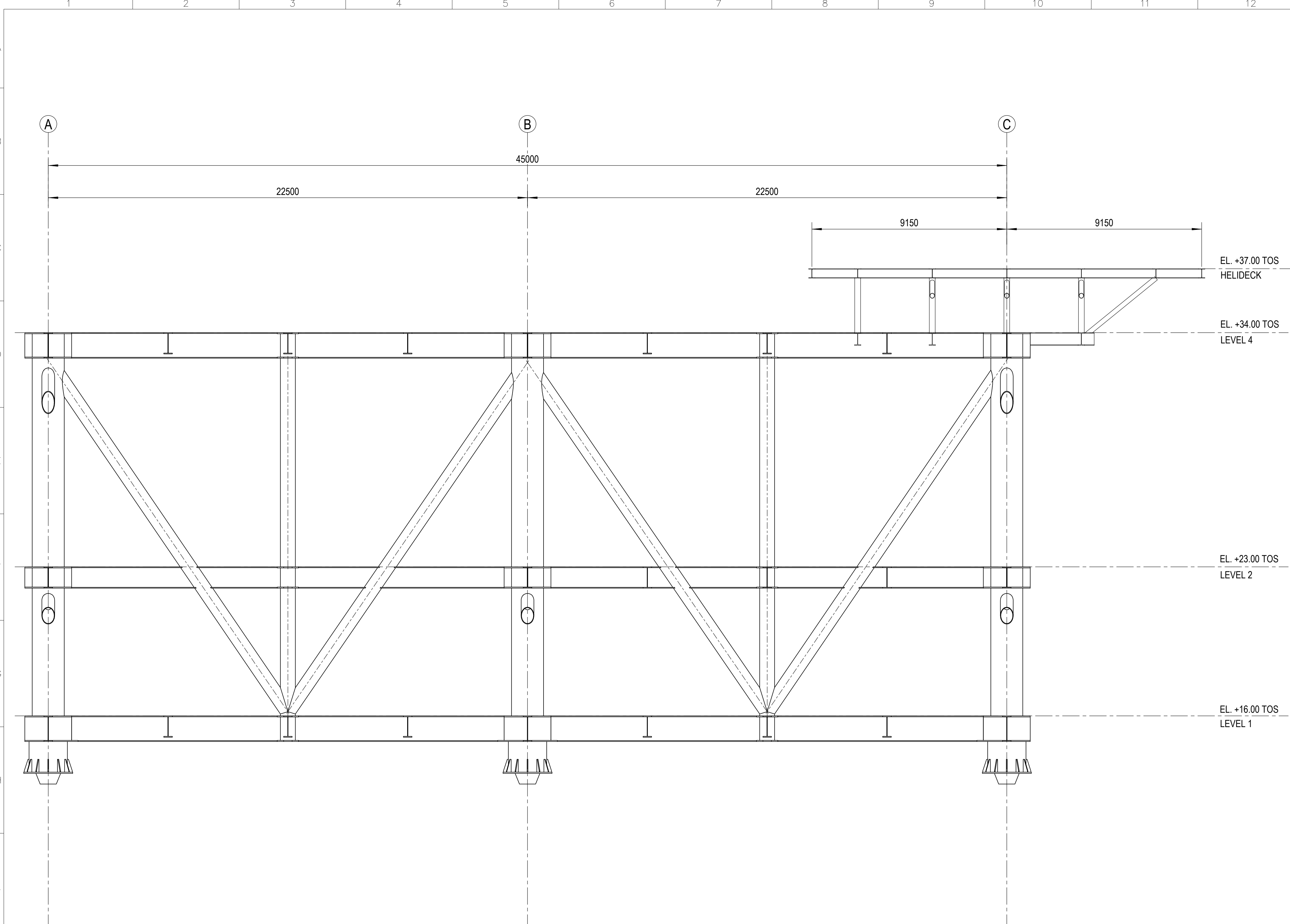
1 - ALL DIMENSIONS ARE IN mm U.N.O.
 2 - ALL ELEVATION ARE IN m REFERRED TO L.A.T.



Rev.	Date	Created by	Checked by	Approved by	Description
00	16.10.2023	FM	GP	MT	First Issue
Customer		Project			Customer Document ID
Nemetun		Nemetun Offshore Substation			-
Project ID		Replacing		Based on	Scale
12083		-		-	1:100
Responsible Department		Created by		Checked by	Approved by
-		Fabio Maroni		Giulio Pascolini	Mauro Tavola
Title		Document ID			
SUBSTATION TOPSIDES - ROW C		12083-CDD-108			
KKS-N0: -		Rev.	Rel. Date	Page	
		00	16.10.2023	1/1	

File name: 12083-CDD-108_00.dwg



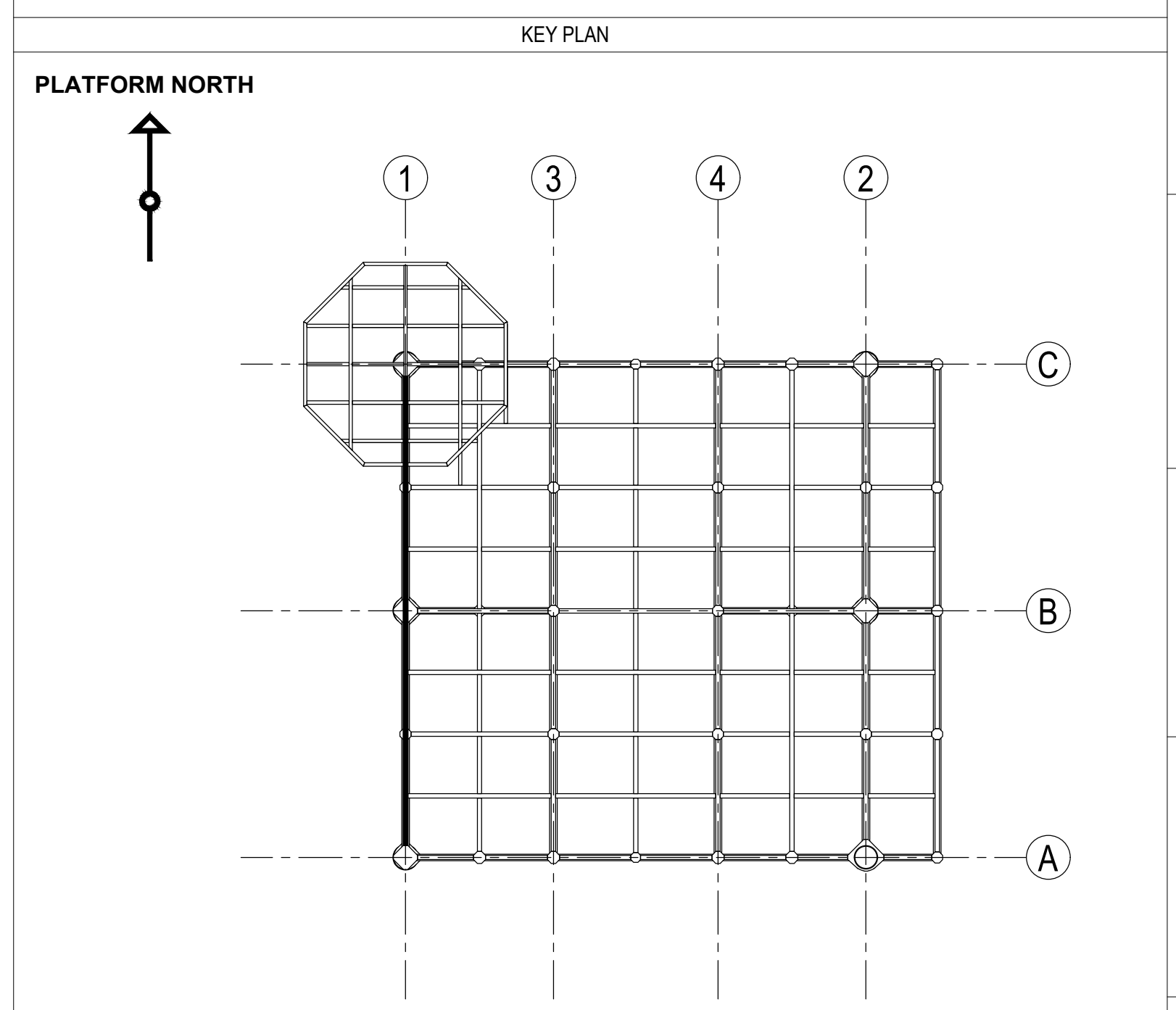


TRUSS ELEVATION ROW - 1

REFERENCE DOCUMENTS		
REF	DOC TAG	DESCRIPTION
1	12083-CDD-100	SUBSTATION - ASSEMBLY - ISOMETRIC VIEW

NOTES

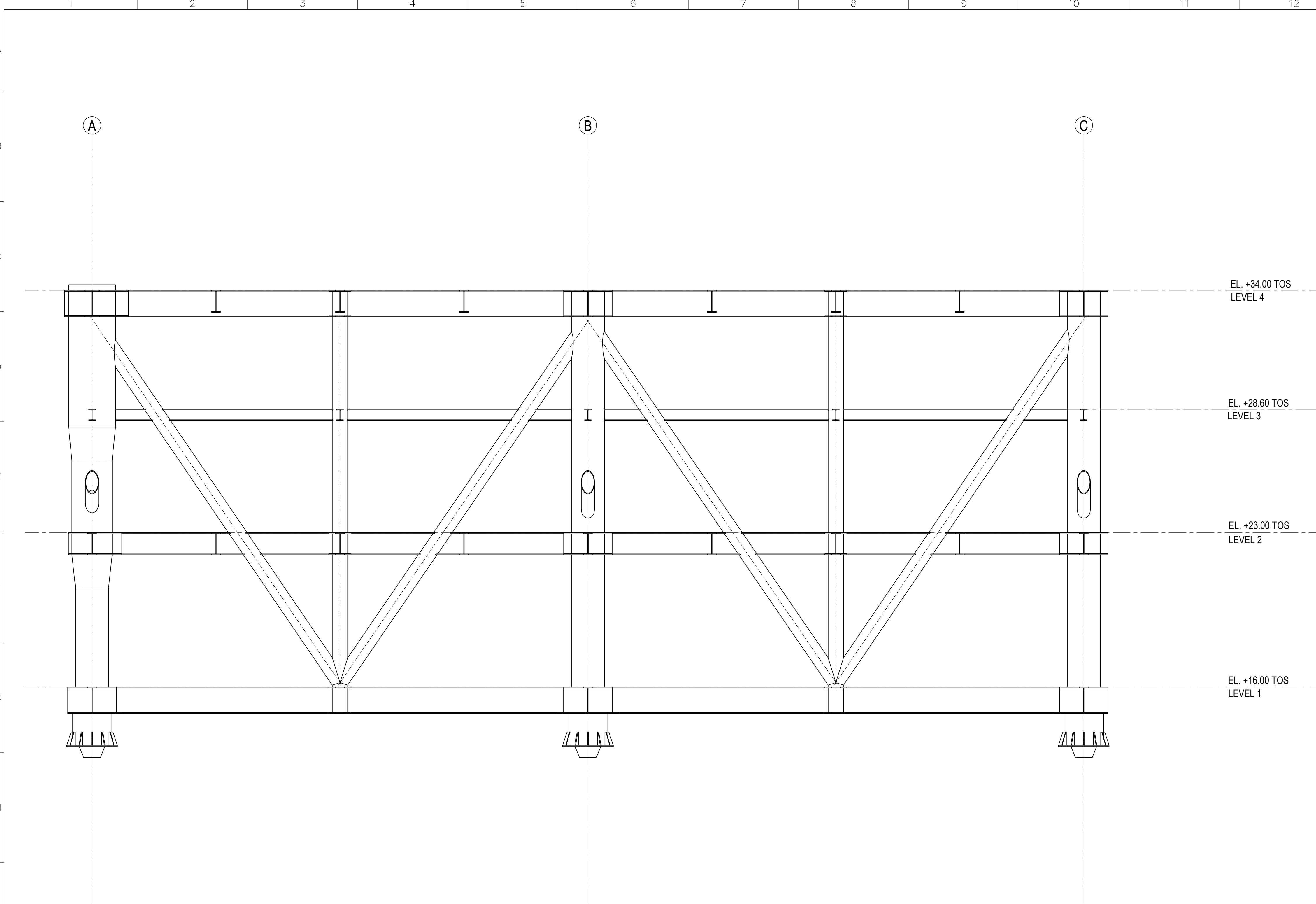
1 - ALL DIMENSIONS ARE IN mm U.N.O.
 2 - ALL ELEVATION ARE IN m REFERRED TO L.A.T.



Rev.	Date	Created by	Checked by	Approved by	Description
00	16.10.2023	FM	GP	MT	First Issue
Customer		Project			Customer Document ID
Nemetun		Nemetun Offshore Substation			-
Project ID		Replacing		Based on	Scale
12083		-		-	1:100
Responsible Department		Created by		Checked by	Approved by
-		Fabio Maroni		Giulio Pascolini	Mauro Tavola
Title		Document ID		Page	
SUBSTATION TOPSIDES - ROW 1		12083-CDD-109		1/1	
KKS-N0: -		Rev.	Rel. Date	Page	
-		00	16.10.2023	1/1	

File name: 12083-CDD-109_00.dwg



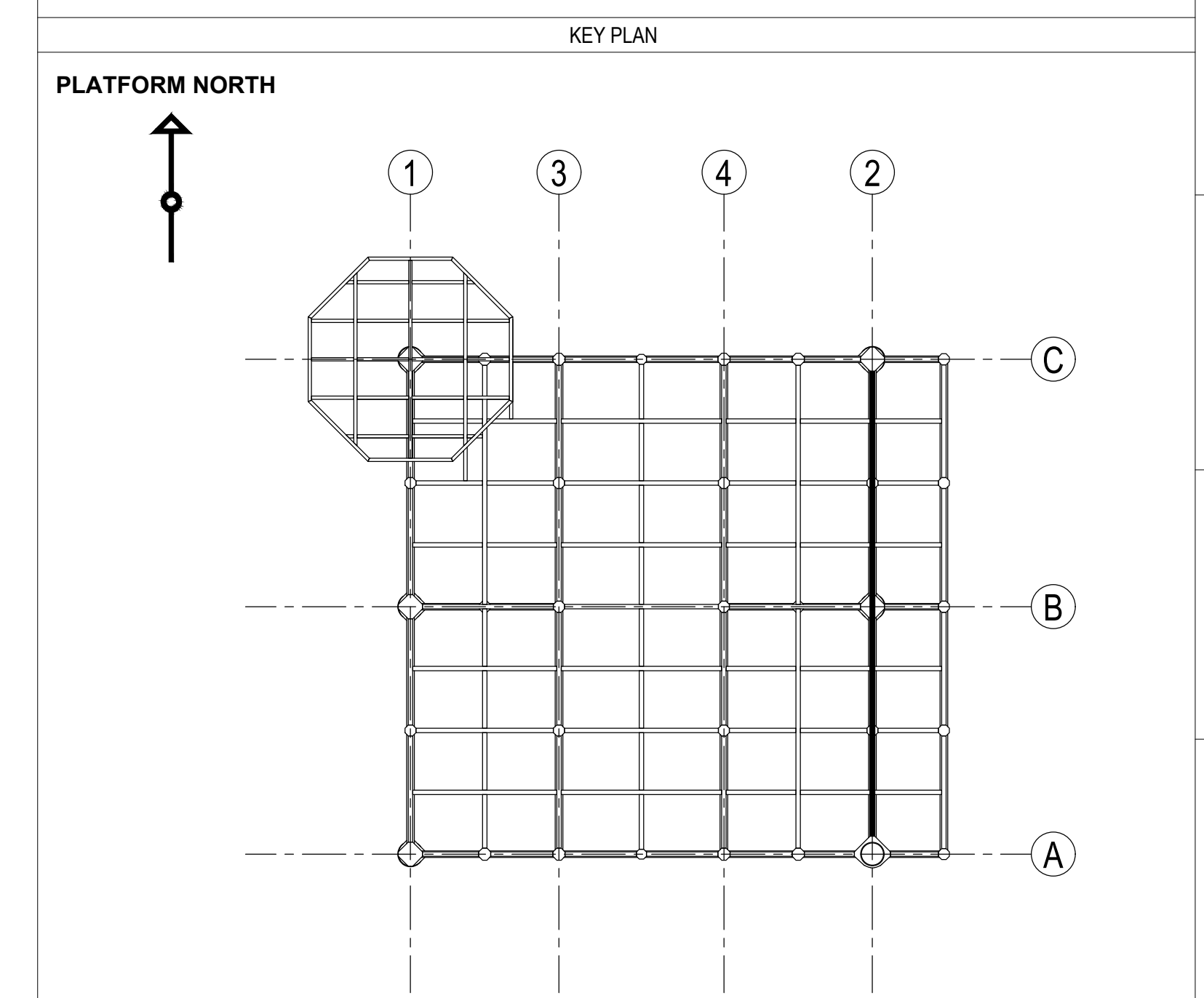


TRUSS ELEVATION ROW - 2

REFERENCE DOCUMENTS		
REF	DOC TAG	DESCRIPTION
1	12083-CDD-100	SUBSTATION - ASSEMBLY - ISOMETRIC VIEW

NOTES

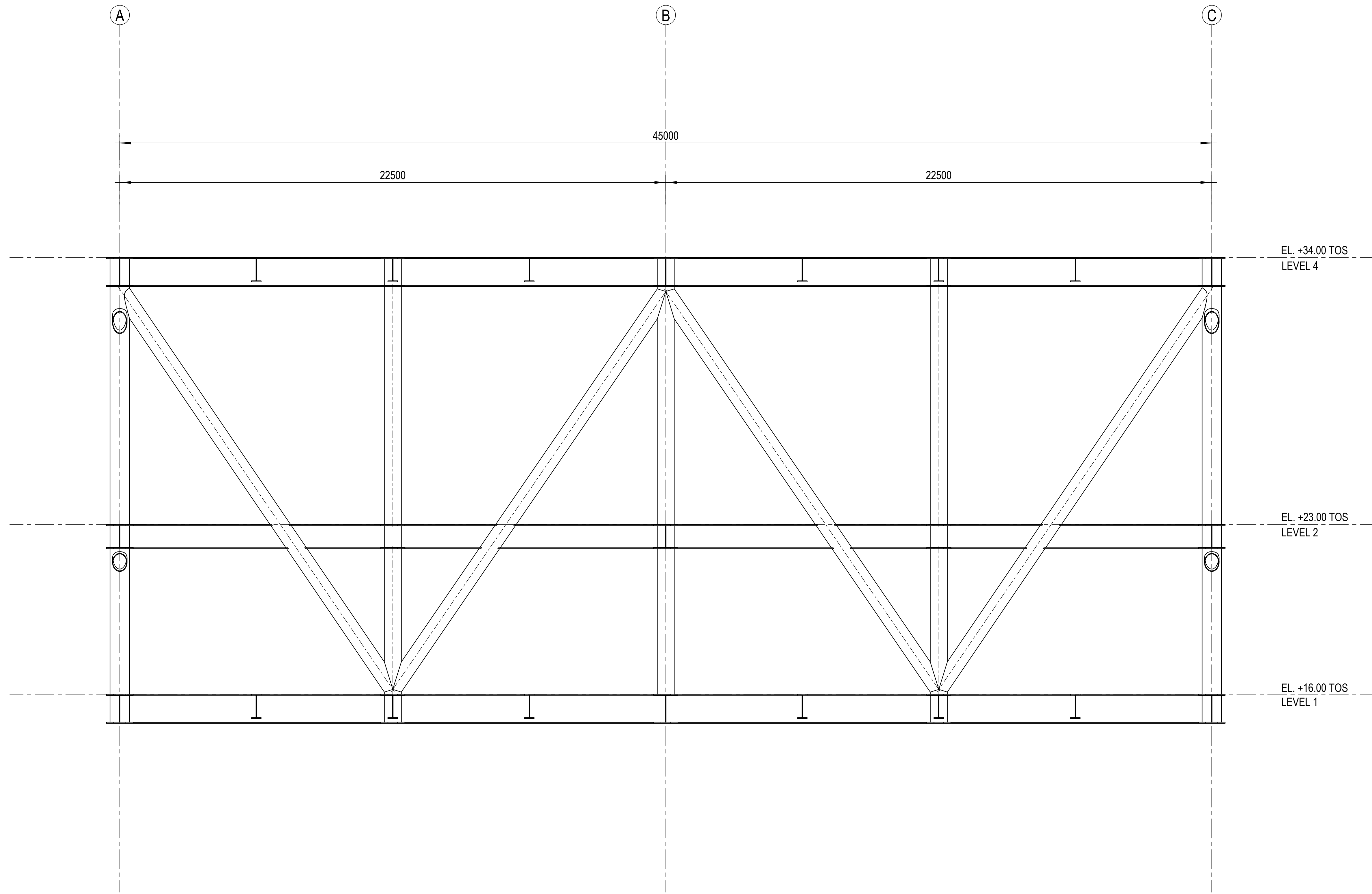
1 - ALL DIMENSIONS ARE IN mm U.N.O.
 2 - ALL ELEVATION ARE IN m REFERRED TO L.A.T.



00	16.10.2023	FM	GP	MT	First Issue
Rev.	Date	Created by	Checked by	Approved by	Description
Customer		Project			Customer Document ID
Nemetun		Nemetun Offshore Substation			-
Project ID		Replacing		Based on	Scale
12083		-		-	1:100
Responsible Department		Created by		Checked by	Approved by
-		Fabio Maroni		Giulio Pascolini	Mauro Tavola
Title		Document ID		Page	
SUBSTATION TOPSIDES - ROW 2		12083-CDD-110		1/1	
KKS-N0: -		Rev.	Rel. Date	Page	
-		00	16.10.2023	1/1	

File name: 12083-CDD-110_00.dwg



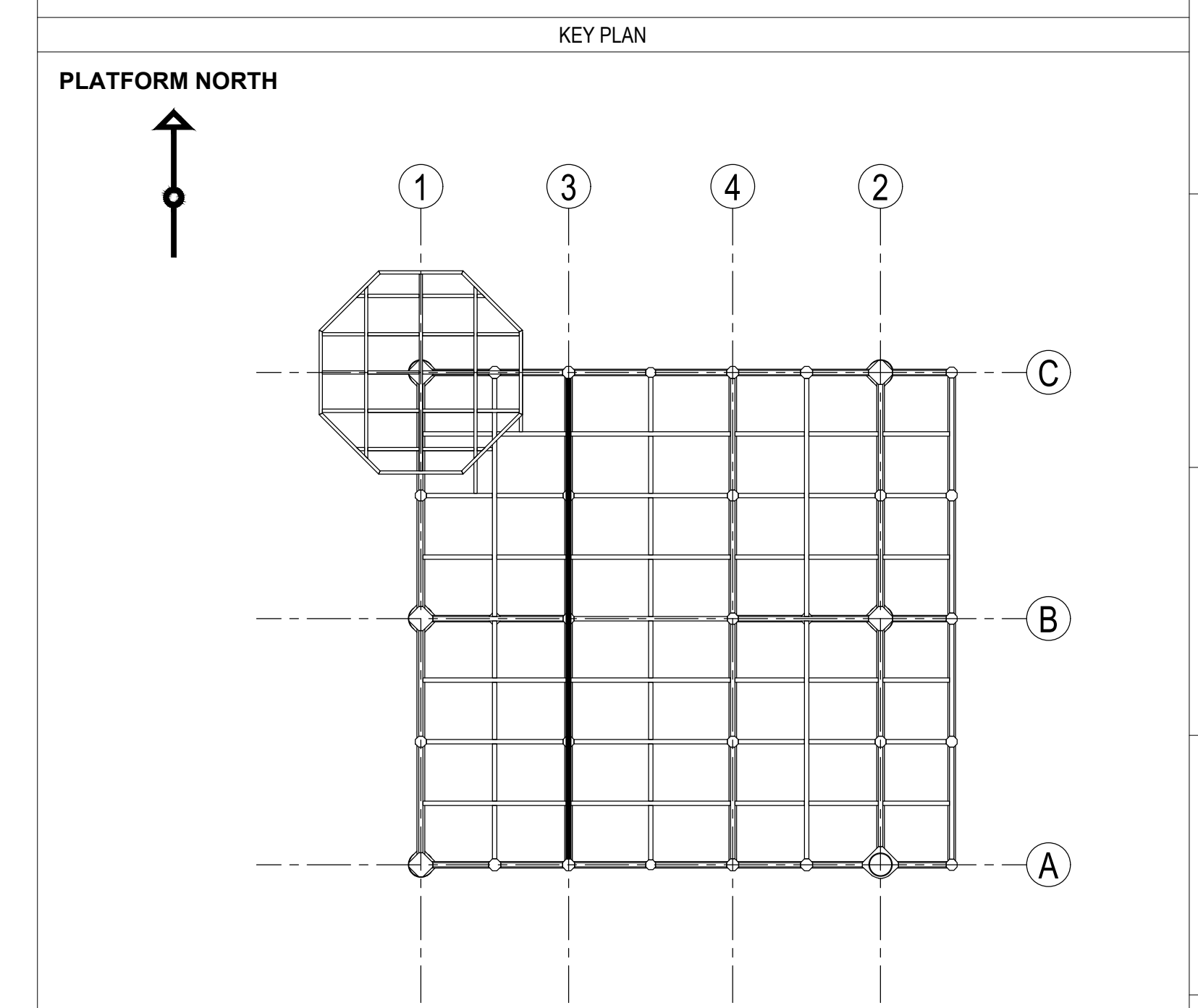


TRUSS ELEVATION ROW - 3

REFERENCE DOCUMENTS		
REF	DOC TAG	DESCRIPTION
1	12083-CDD-100	SUBSTATION - ASSEMBLY - ISOMETRIC VIEW

NOTES

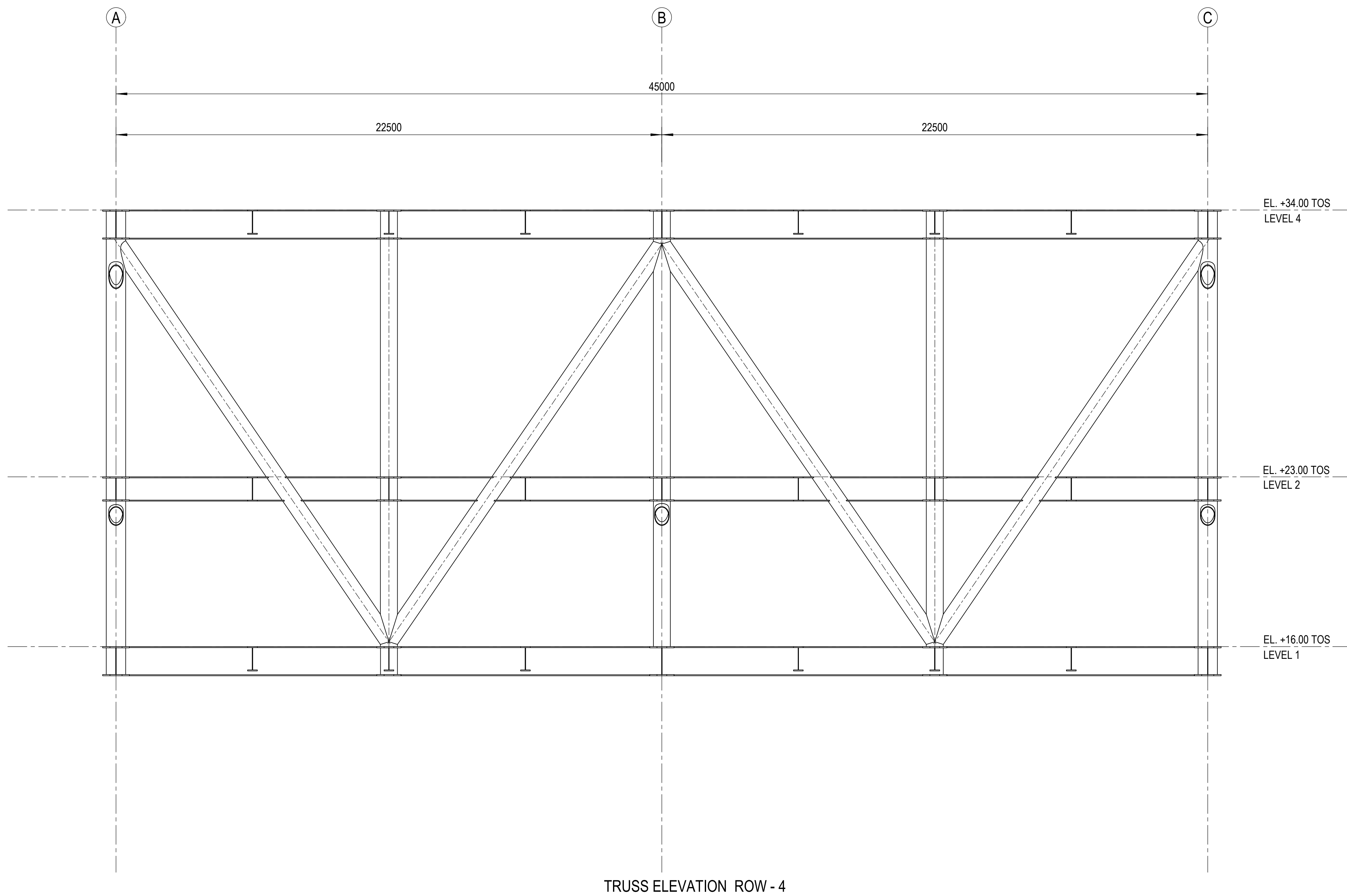
1 - ALL DIMENSIONS ARE IN mm U.N.O.
 2 - ALL ELEVATION ARE IN m REFERRED TO L.A.T.



00	16.10.2023	FM	GP	MT	First Issue
Rev.	Date	Created by	Checked by	Approved by	Description
Customer		Project			Customer Document ID
Nemetun		Nemetun Offshore Substation			-
Project ID	12083	Replacing	-	Based on	Scale
Responsible Department	-	Created by	Checked by	Approved by	Format
-	-	Fabio Maroni	Giulio Pascolini	Mauro Tavola	A1
Title		Document ID			
SUBSTATION TOPSIDES - ROW 3		12083-CDD-111			
KKS-N0: -		Rev.	Rel. Date	Page	
		00	16.10.2023	1/1	

File name: 12083-CDD-111_00.dwg

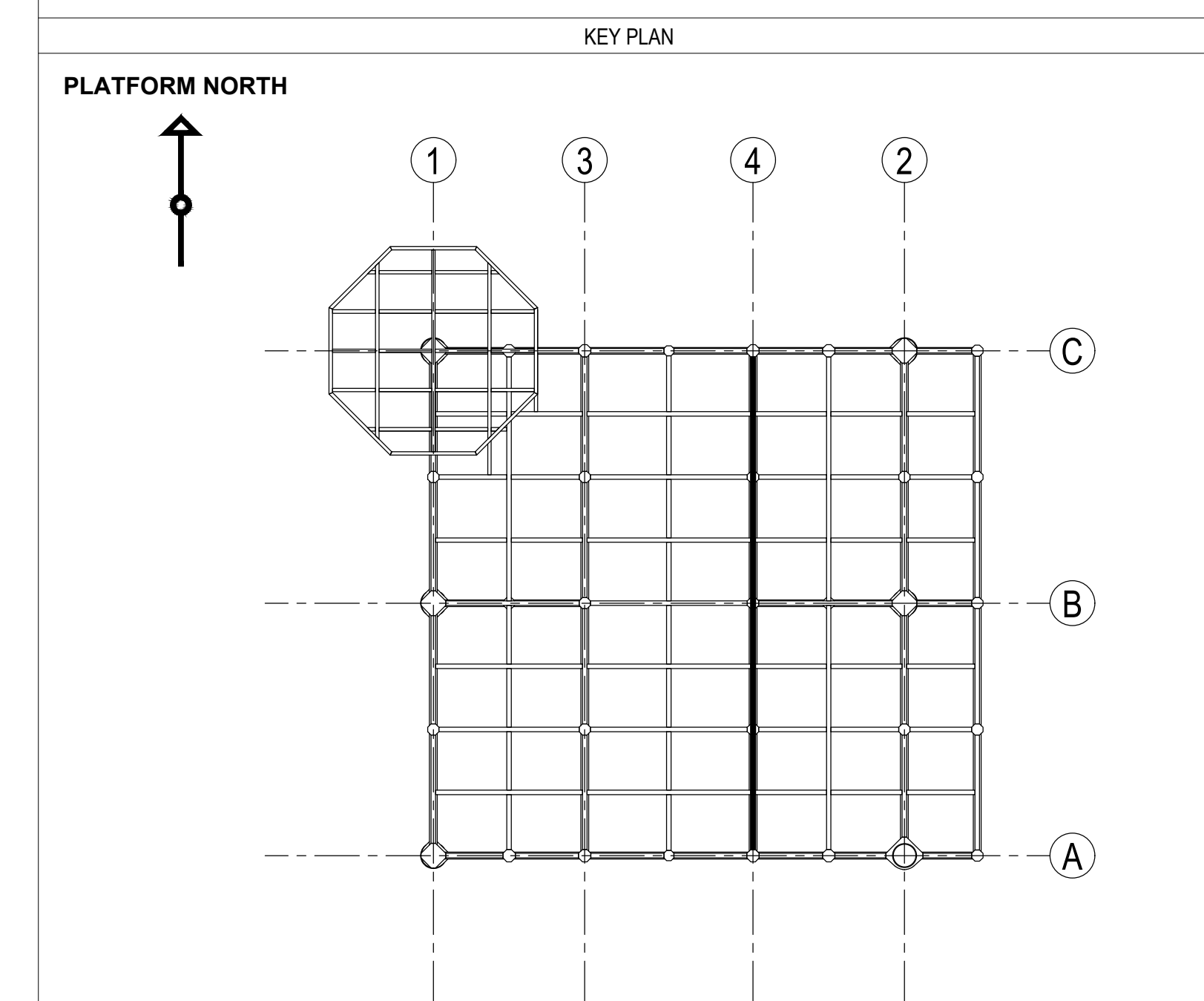




REFERENCE DOCUMENTS		
REF	DOC TAG	DESCRIPTION
1	12083-CDD-100	SUBSTATION - ASSEMBLY - ISOMETRIC VIEW

NOTES

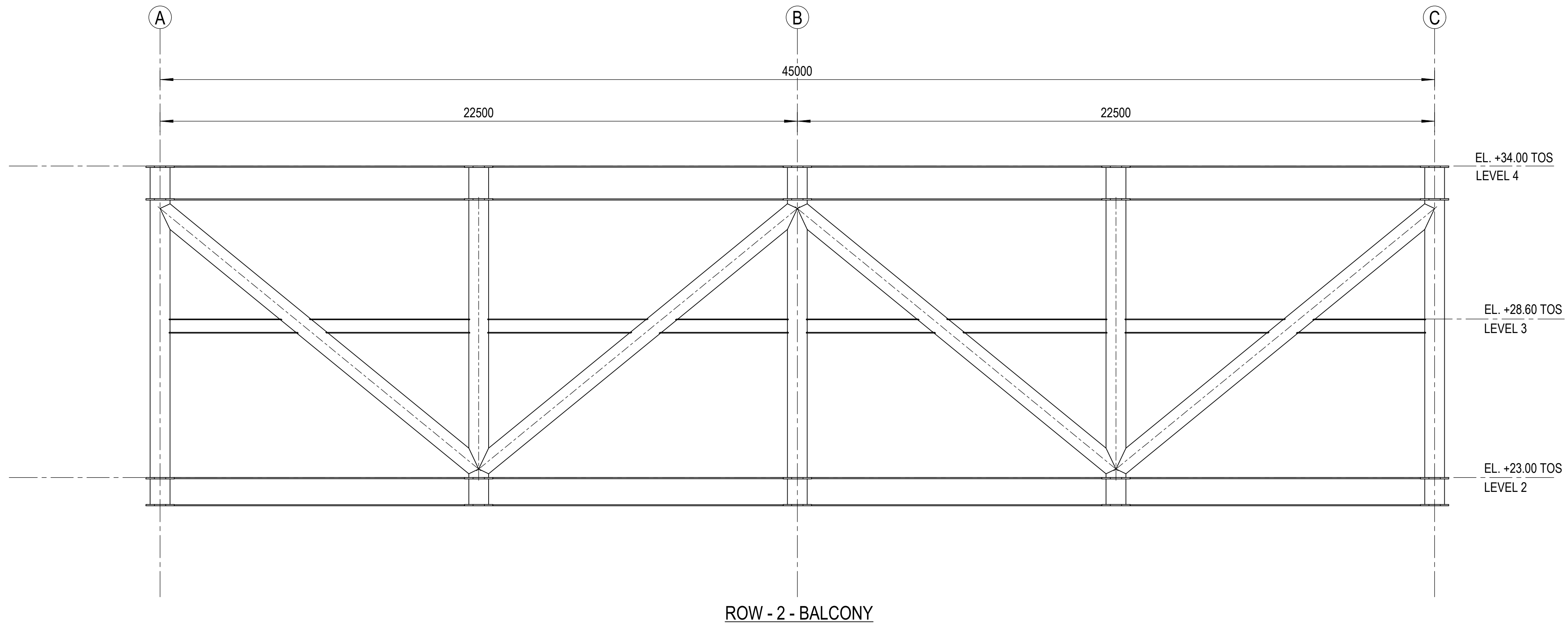
1 - ALL DIMENSIONS ARE IN mm U.N.O.
 2 - ALL ELEVATION ARE IN m REFERRED TO L.A.T.



Rev.	Date	Created by	Checked by	Approved by	Description
00	16.10.2023	FM	GP	MT	First Issue
Customer		Project		Customer Document ID	
Nemetun		Nemetun Offshore Substation		-	
Project ID		Replacing		Based on	
12083		-		-	
Responsible Department		Created by		Checked by	
-		Fabio Maroni		Giulio Pascolini	
Title		Document ID		Page	
SUBSTATION TOPSIDES - ROW 4		12083-CDD-112		1/1	
KKS-N0: -		Rev.		Rel. Date	
-		00		16.10.2023	

File name: 12083-CDD-112_00.dwg

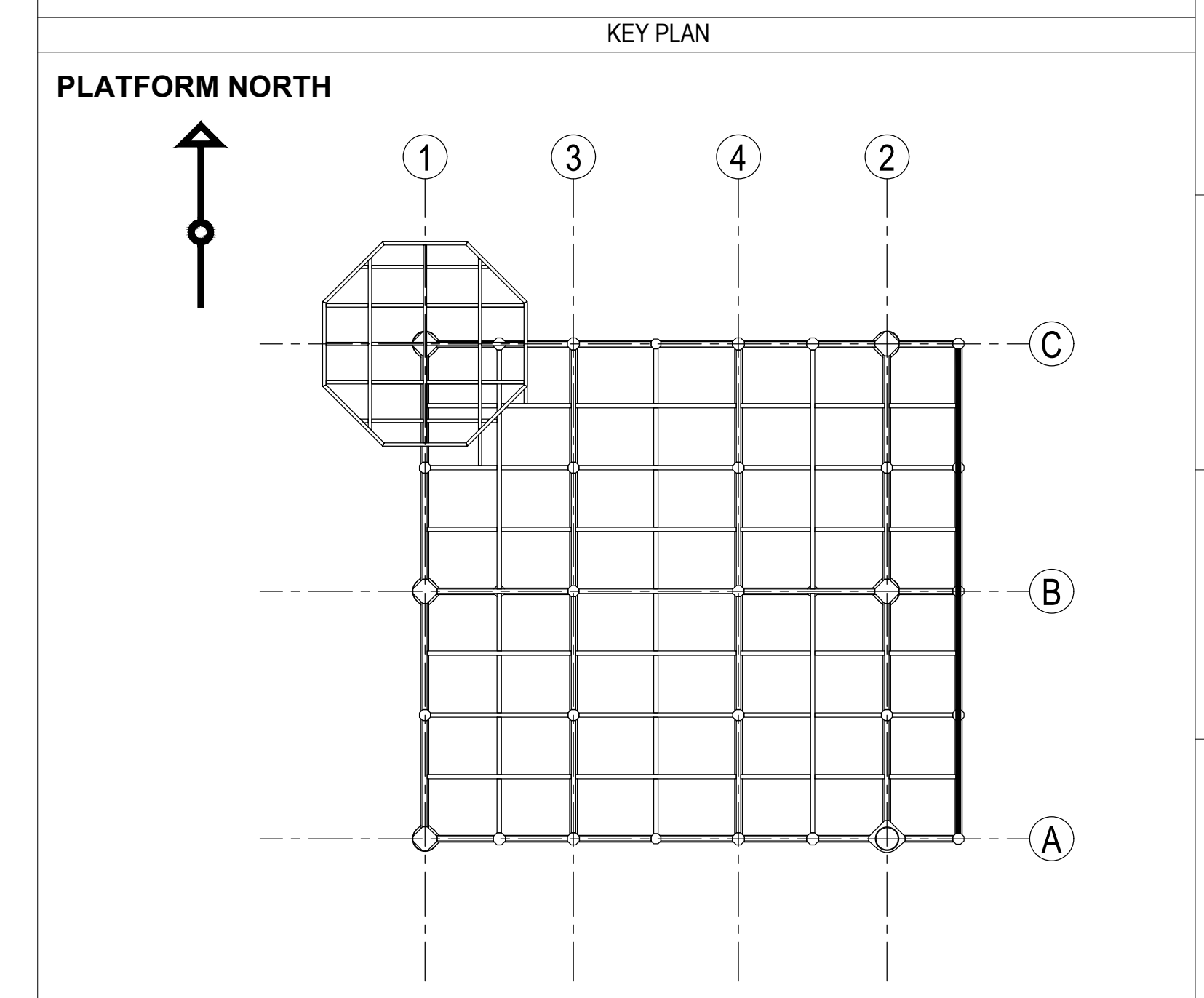




REFERENCE DOCUMENTS		
REF	DOC TAG	DESCRIPTION
1	12083-CDD-100	SUBSTATION - ASSEMBLY - ISOMETRIC VIEW

NOTES

1 - ALL DIMENSIONS ARE IN mm U.N.O.
 2 - ALL ELEVATION ARE IN m REFERRED TO L.A.T.

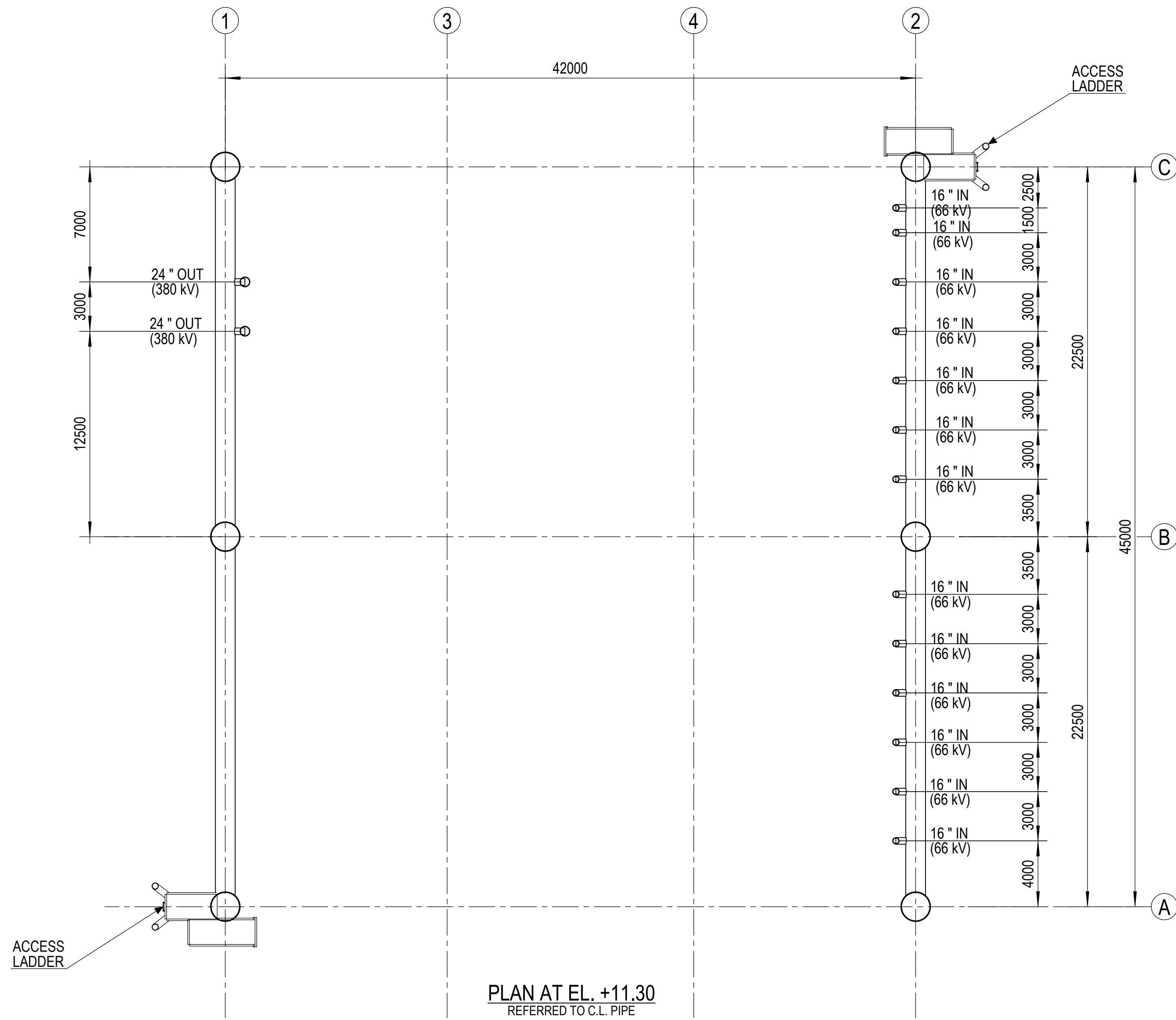


00	16.10.2023	FM	GP	MT	First Issue
Rev.	Date	Created by	Checked by	Approved by	Description
Customer		Project			Customer Document ID
Nemetun		Nemetun Offshore Substation			-
Project ID	12083	Replacing	Based on	Scale	Format
Responsible Department	-	Created by	Checked by	Approved by	A1
-	-	Fabio Maroni	Giulio Pascolini	Mauro Tavola	-
Title		Document ID			
SUBSTATION TOPSIDES - ROW 4 BALCONY		12083-CDD-113			
KKS-N0: -		Rev.	Rel. Date	Page	
		00	16.10.2023	1/1	

File name: 12083-CDD-113_00.dwg



PLATFORM NORTH



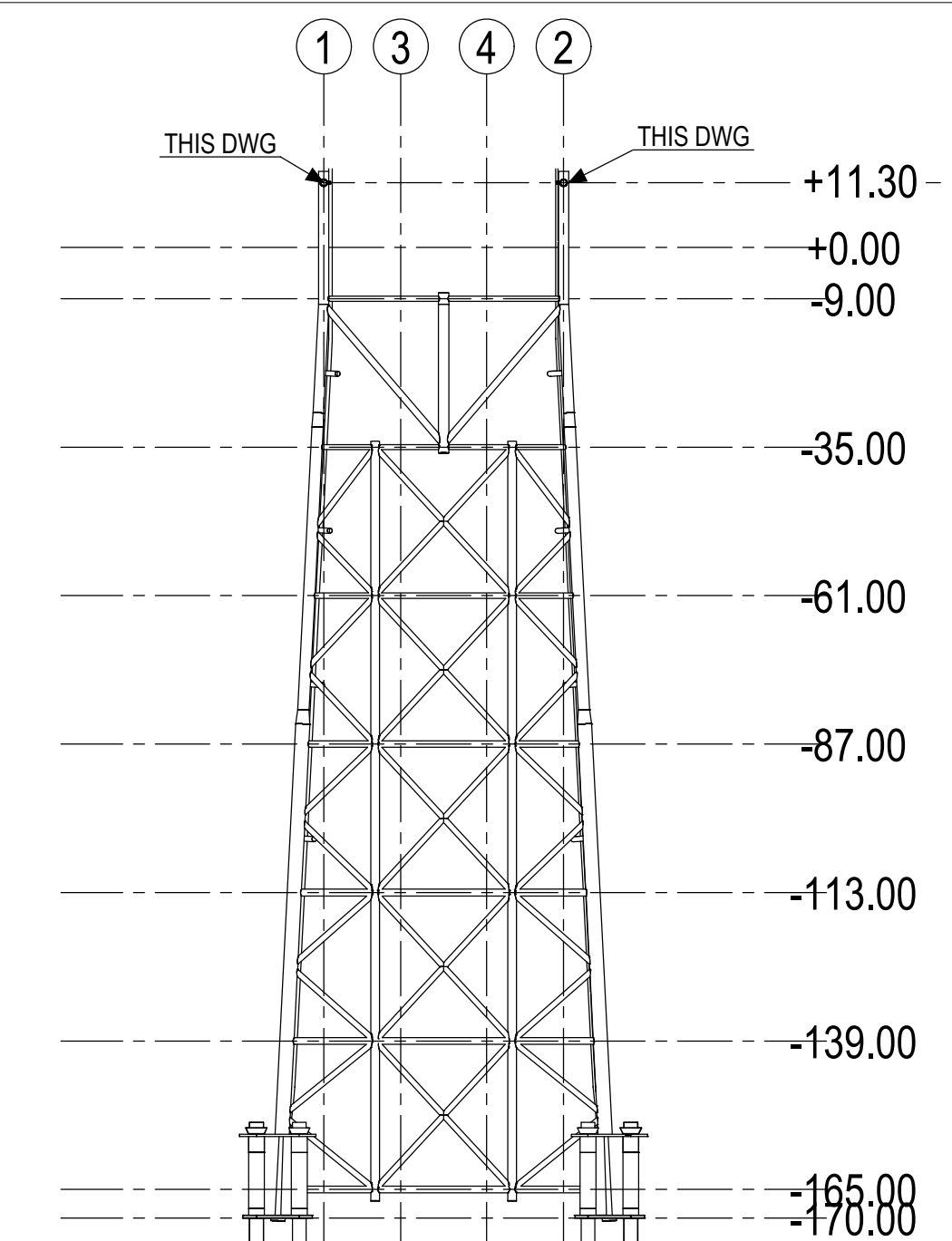
REFERENCE DOCUMENTS

REF	DOC TAG	DESCRIPTION
1	12083-CDD-100	SUBSTATION - ASSEMBLY - ISOMETRIC VIEW

NOTES

- 1 - ALL DIMENSIONS ARE IN mm U.N.O.
- 2 - ALL ELEVATION ARE IN m REFERRED TO L.A.T.

KEY ELEVATION



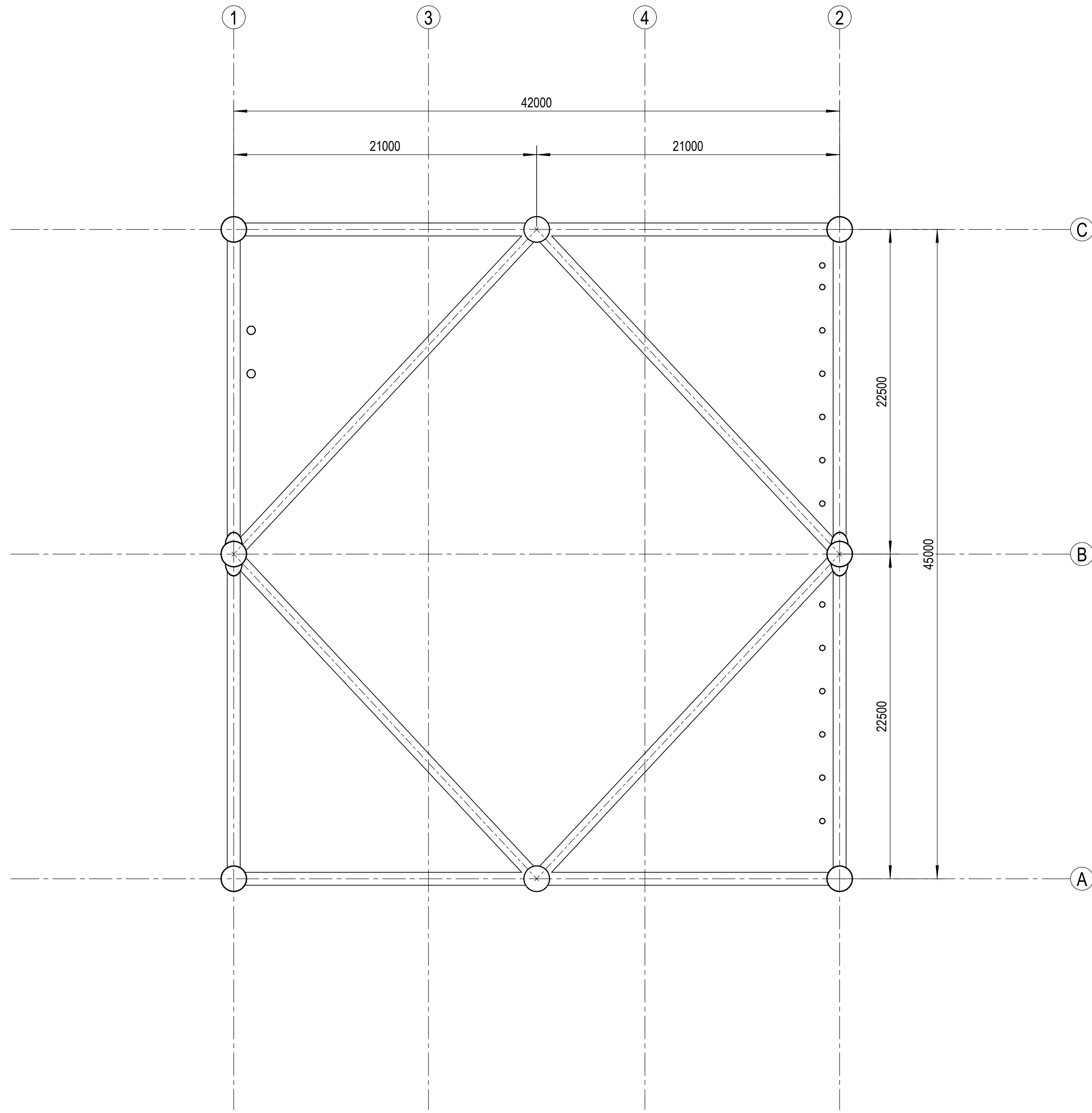
Rev.	Date	Created by	Checked by	Approved by	Description
00	16.10.2023	FM	GP	MT	First Issue
Customer		Project			Customer Document ID
Nemetun		Nemetun Offshore Substation			-
Project ID		Replacing		Based on	Scale
12083		-		-	1:200
Responsible Department		Created by		Checked by	Approved by
-		Fabio Maroni		Giulio Pascolini	Mauro Tavola
Title		Document ID			
SUBSTATION JACKET - PLAN AT EL. +11.30		12083-CDD-114			
KKS-N0: -		Rev.	Rel. Date	Page	
		00	16.10.2023	1/1	

File name: 12083-CDD-114_00.dwg



Mod. UNI-A1/0

PLATFORM NORTH



PLAN AT EL. -9.00
REFERRED TO C.L. PIPE

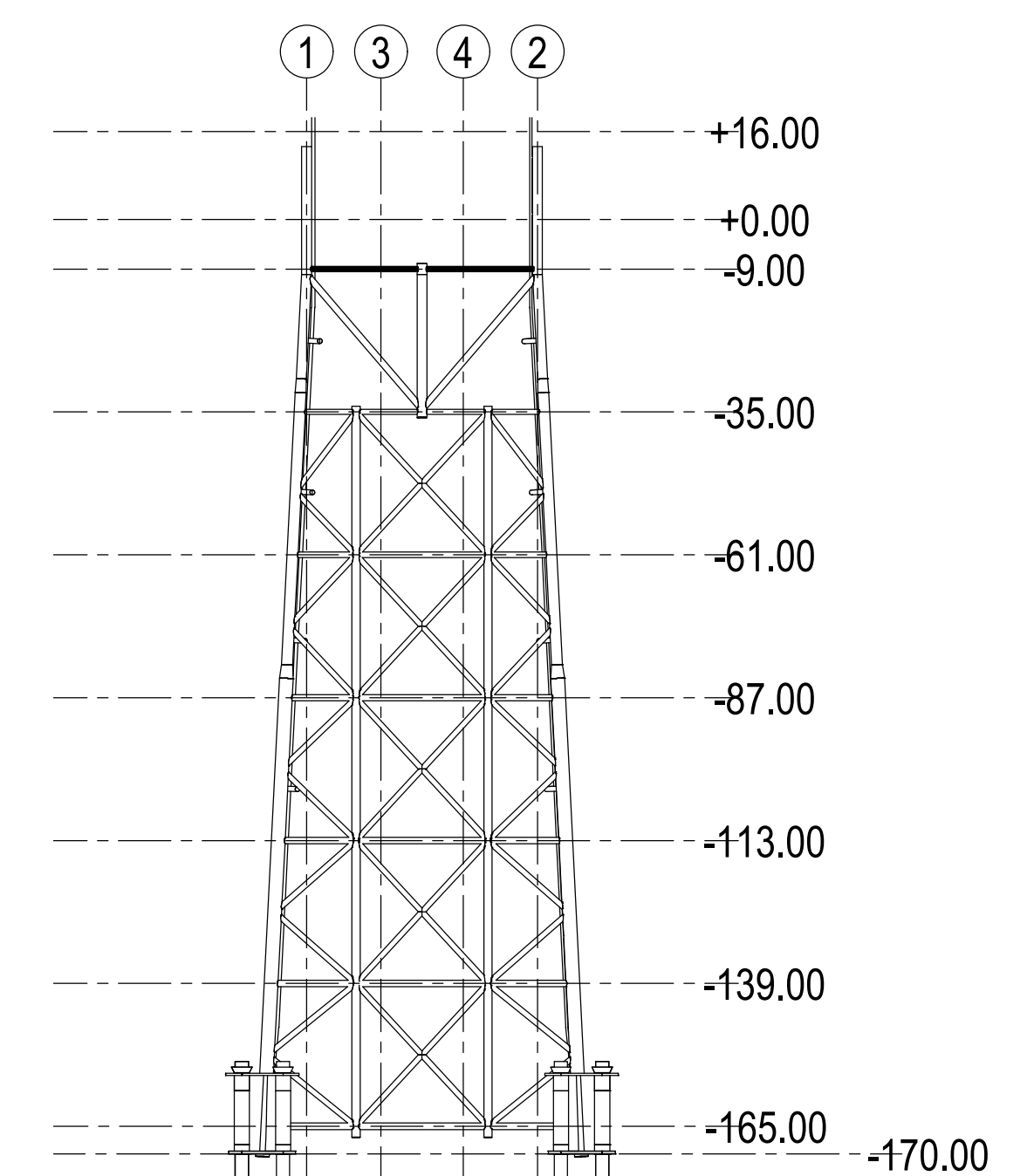
REFERENCE DOCUMENTS

REF	DOC TAG	DESCRIPTION
1	12083-CDD-100	SUBSTATION - ASSEMBLY - ISOMETRIC VIEW

NOTES

- 1 - ALL DIMENSIONS ARE IN mm U.N.O.
- 2 - ALL ELEVATION ARE IN m REFERRED TO L.A.T.

KEY ELEVATION



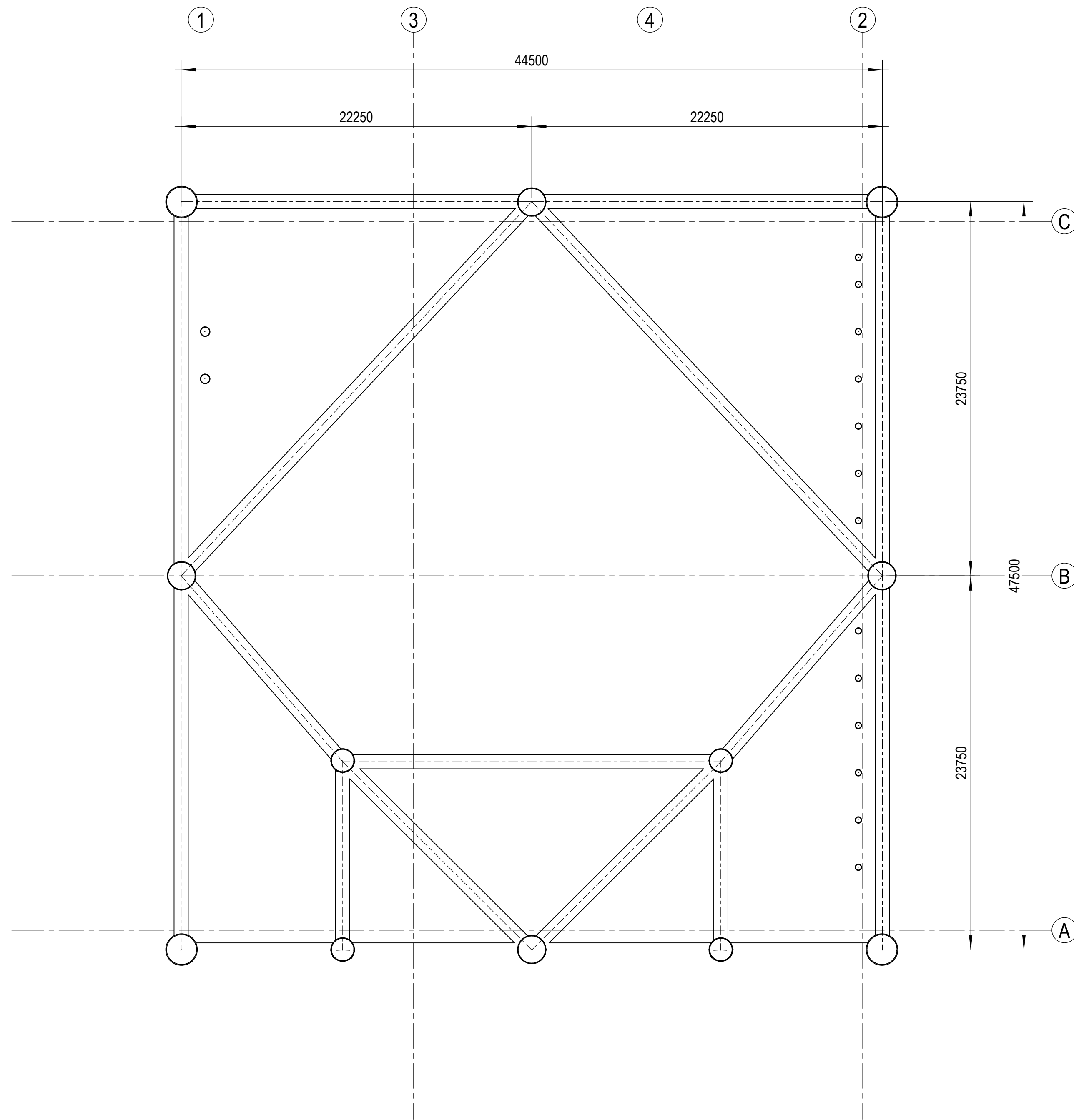
Rev.	Date	Created by	Checked by	Approved by	Description
00	16.10.2023	FM	GP	MT	First Issue
Customer		Project			Customer Document ID
Nemetun		Nemetun Offshore Substation			-
Project ID	12083	Replacing	Based on	Scale	Format
Responsible Department	-	Created by	Checked by	Approved by	1:200 A1
-		Fabio Maroni	Giulio Pascolini	Mauro Tavola	
Title		Document ID			
SUBSTATION JACKET - PLAN AT EL. -9.00		12083-CDD-115			
KKS-N0: -		Rev.	Rel. Date	Page	
		00	16.10.2023	1/1	

File name: 12083-CDD-115_00.dwg



Mod. UNI-A1/0

PLATFORM NORTH



PLAN AT EL. -35.00
REFERRED TO C.L. PIPE

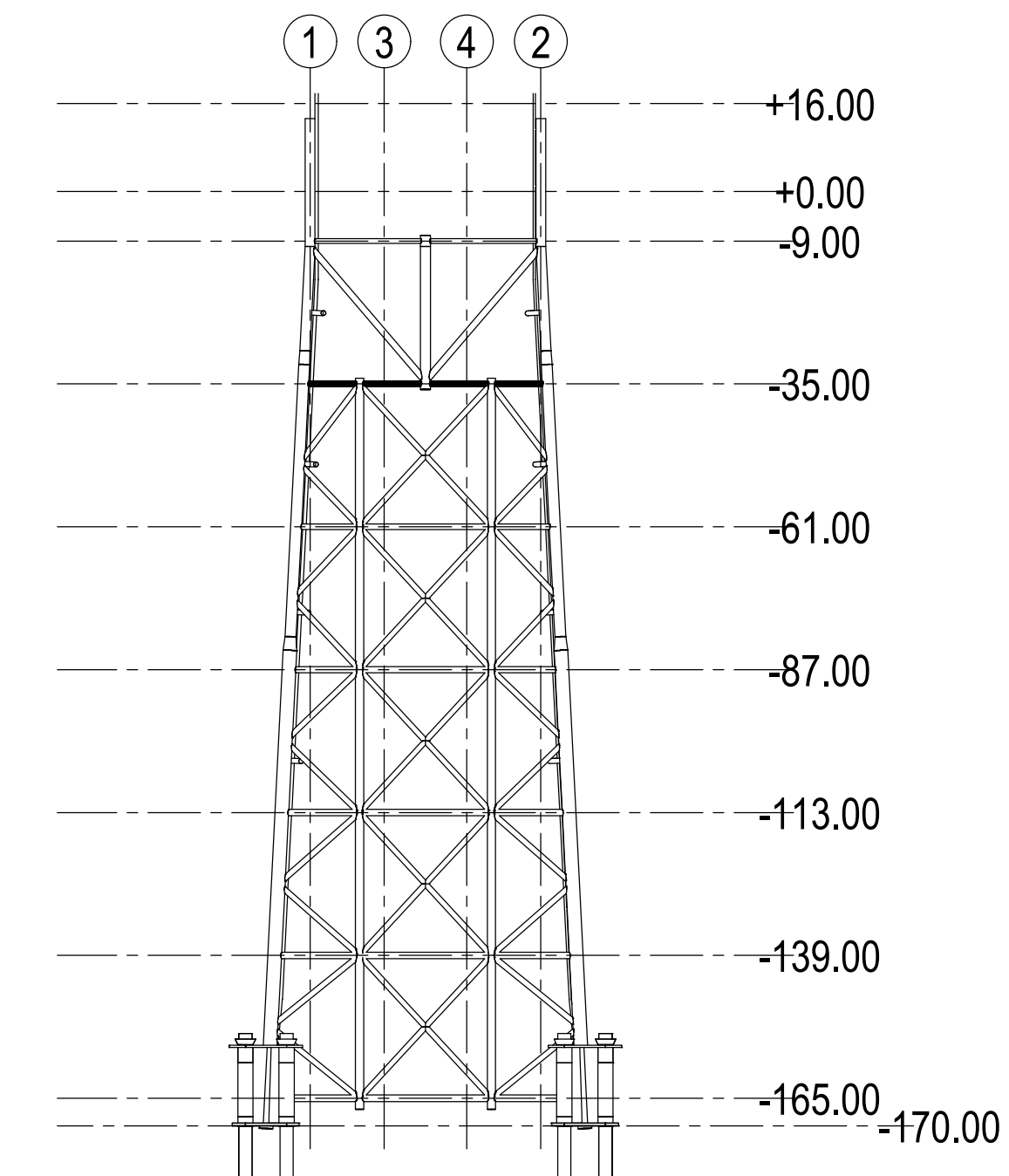
REFERENCE DOCUMENTS

REF	DOC TAG	DESCRIPTION
1	12083-CDD-100	SUBSTATION - ASSEMBLY - ISOMETRIC VIEW

NOTES

- 1 - ALL DIMENSIONS ARE IN mm U.N.O.
- 2 - ALL ELEVATION ARE IN m REFERRED TO L.A.T.

KEY ELEVATION



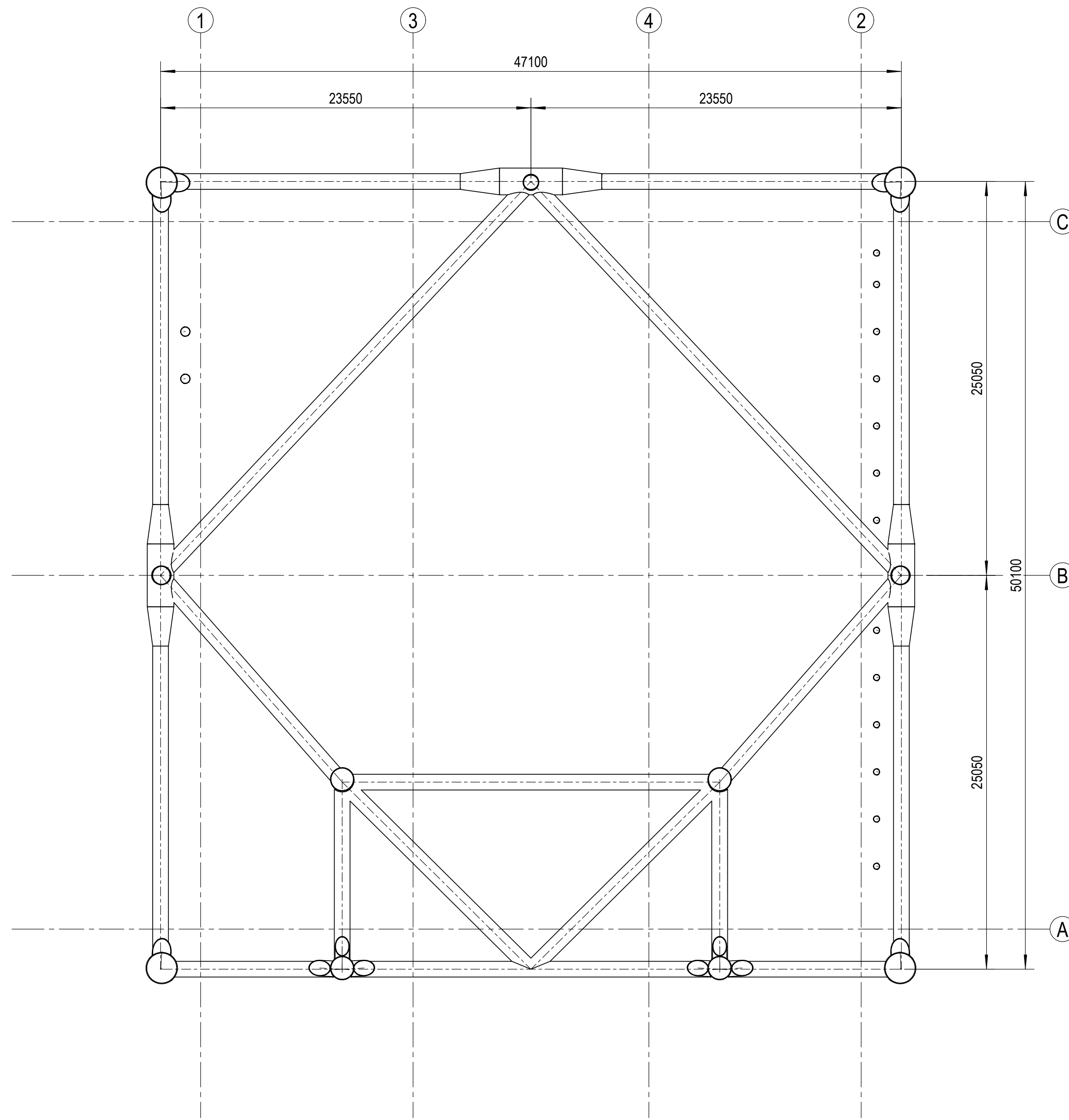
00	16.10.2023	FM	GP	MT	First Issue
Rev.	Date	Created by	Checked by	Approved by	Description
Customer		Project			Customer Document ID
Nemetun		Nemetun Offshore Substation			-
Project ID	12083	Replacing	-	Based on	Scale
Responsible Department	-	Created by	Checked by	Approved by	Format
-	-	Fabio Maroni	Giulio Pascolini	Mauro Tavola	A1
Title		Document ID			
SUBSTATION JACKET - PLAN AT EL. -35.00		12083-CDD-116			
KKS-N0: -		Rev.	Rel. Date	Page	
		00	16.10.2023	1/1	

File name: 12083-CDD-116_00.dwg



Mod. UNI-A1/0

PLATFORM NORTH



PLAN AT EL. -61.00
REFERRED TO C.L. PIPE

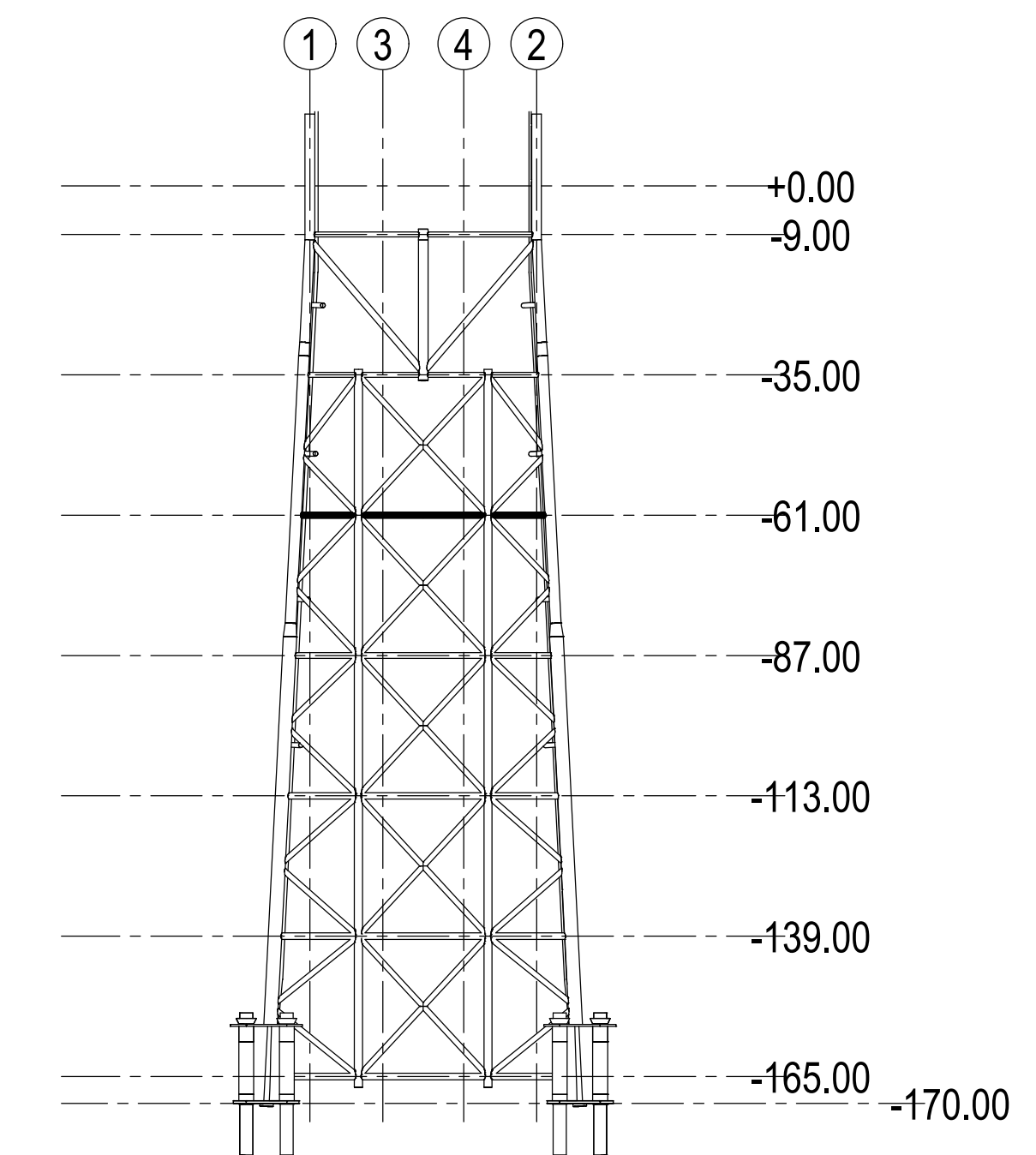
REFERENCE DOCUMENTS

REF	DOC TAG	DESCRIPTION
1	12083-CDD-100	SUBSTATION - ASSEMBLY - ISOMETRIC VIEW

NOTES

- 1 - ALL DIMENSIONS ARE IN mm U.N.O.
- 2 - ALL ELEVATION ARE IN m REFERRED TO L.A.T.

KEY ELEVATION



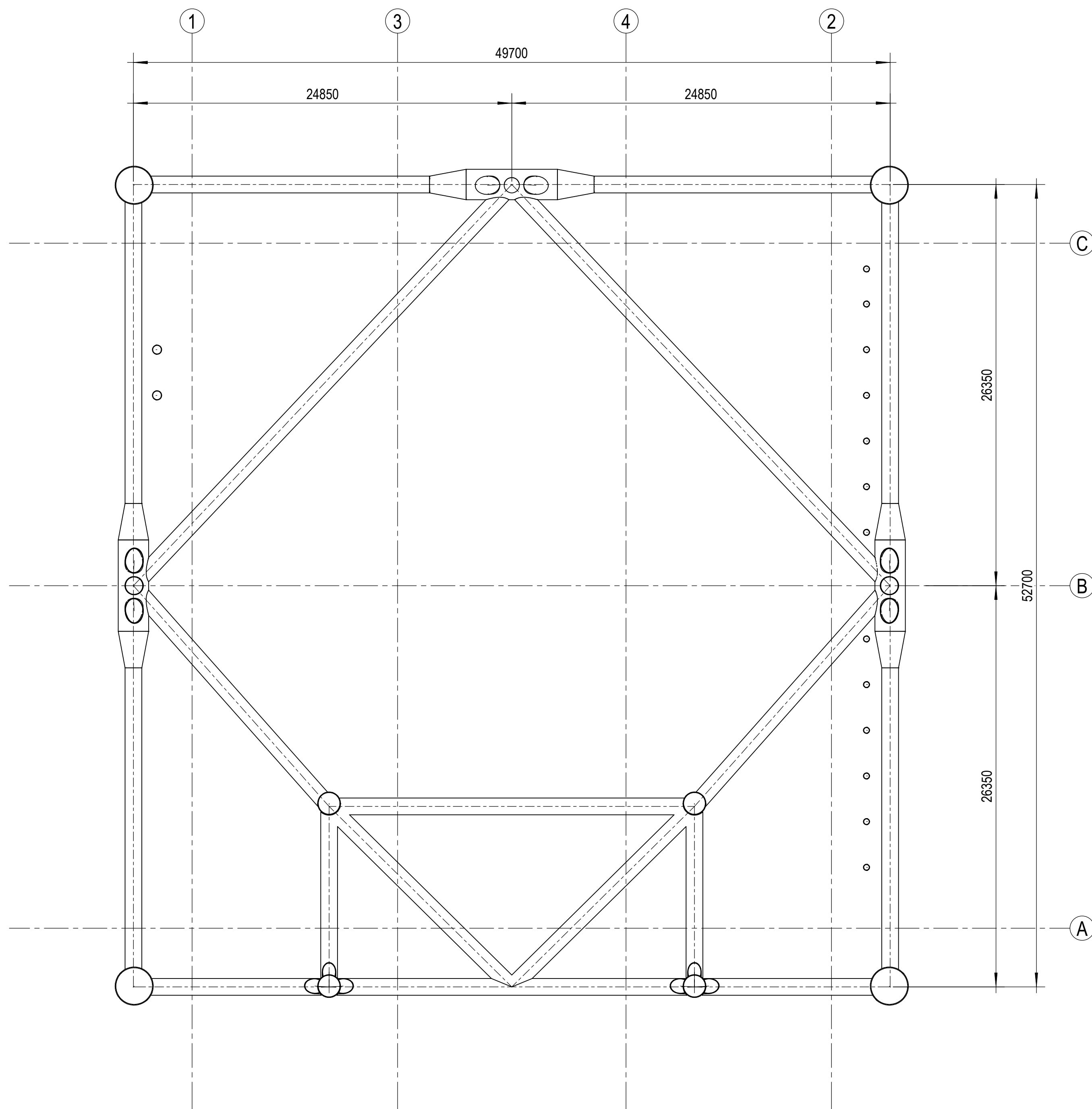
Rev.	Date	Created by	Checked by	Approved by	Description
00	16.10.2023	FM	GP	MT	First Issue
Customer		Project			Customer Document ID
Nemetun		Nemetun Offshore Substation			-
Project ID		Replacing		Based on	Scale
12083		-		-	1:200
Responsible Department		Created by		Checked by	Approved by
-		Fabio Maroni		Giulio Pascolini	Mauro Tavola
Title		Document ID			
SUBSTATION JACKET - PLAN AT EL. -61.00		12083-CDD-117			
KKS-N0: -		Rev.	Rel. Date	Page	
		00	16.10.2023	1/1	

File name: 12083-CDD-117_00.dwg



Mod. UNI-A1/0

PLATFORM NORTH



PLAN AT EL. -87.00
REFERRED TO C.L. PIPE

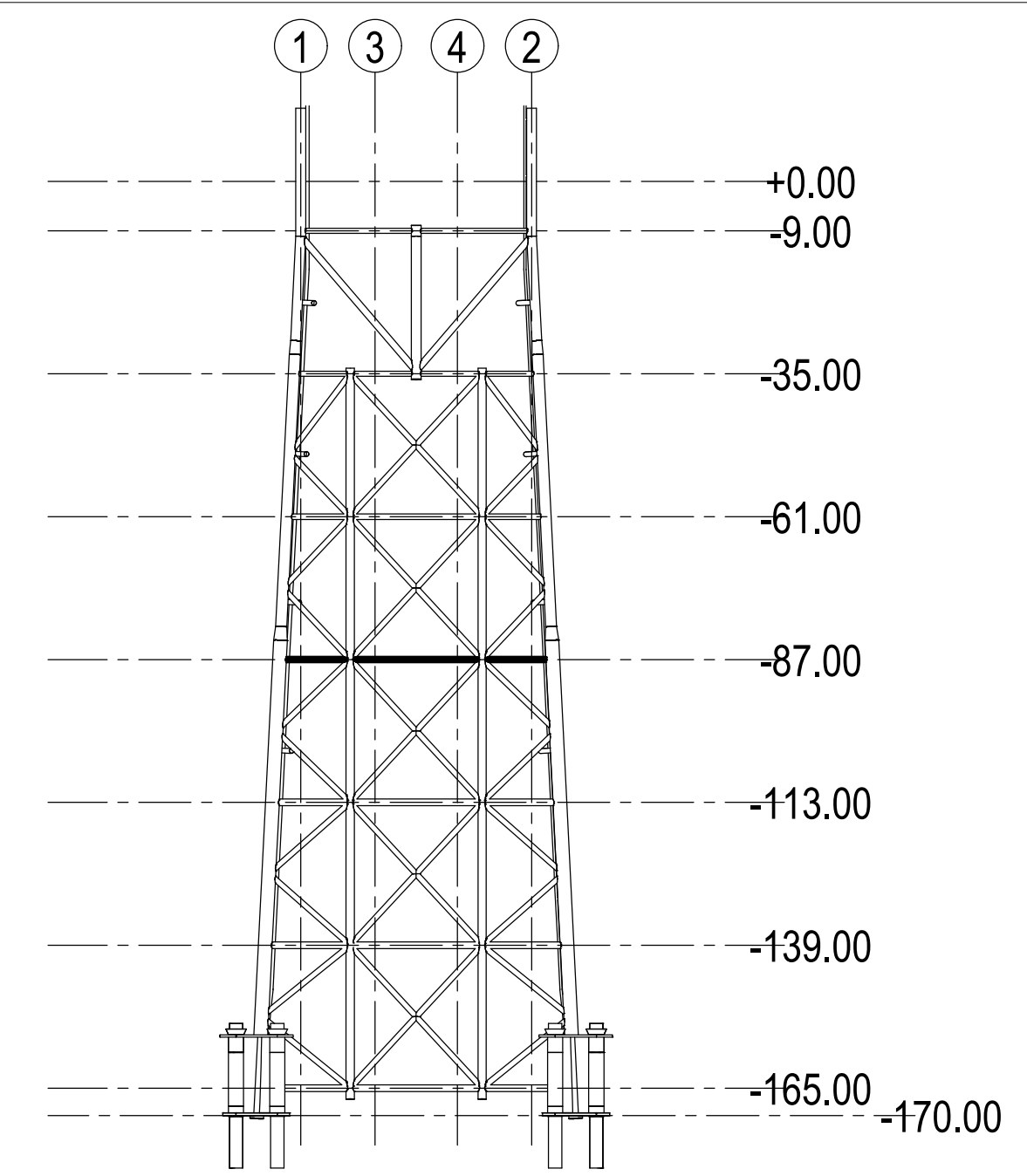
REFERENCE DOCUMENTS

REF	DOC TAG	DESCRIPTION
1	12083-CDD-100	SUBSTATION - ASSEMBLY - ISOMETRIC VIEW

NOTES

- 1 - ALL DIMENSIONS ARE IN mm U.N.O.
- 2 - ALL ELEVATION ARE IN m REFERRED TO L.A.T.

KEY ELEVATION



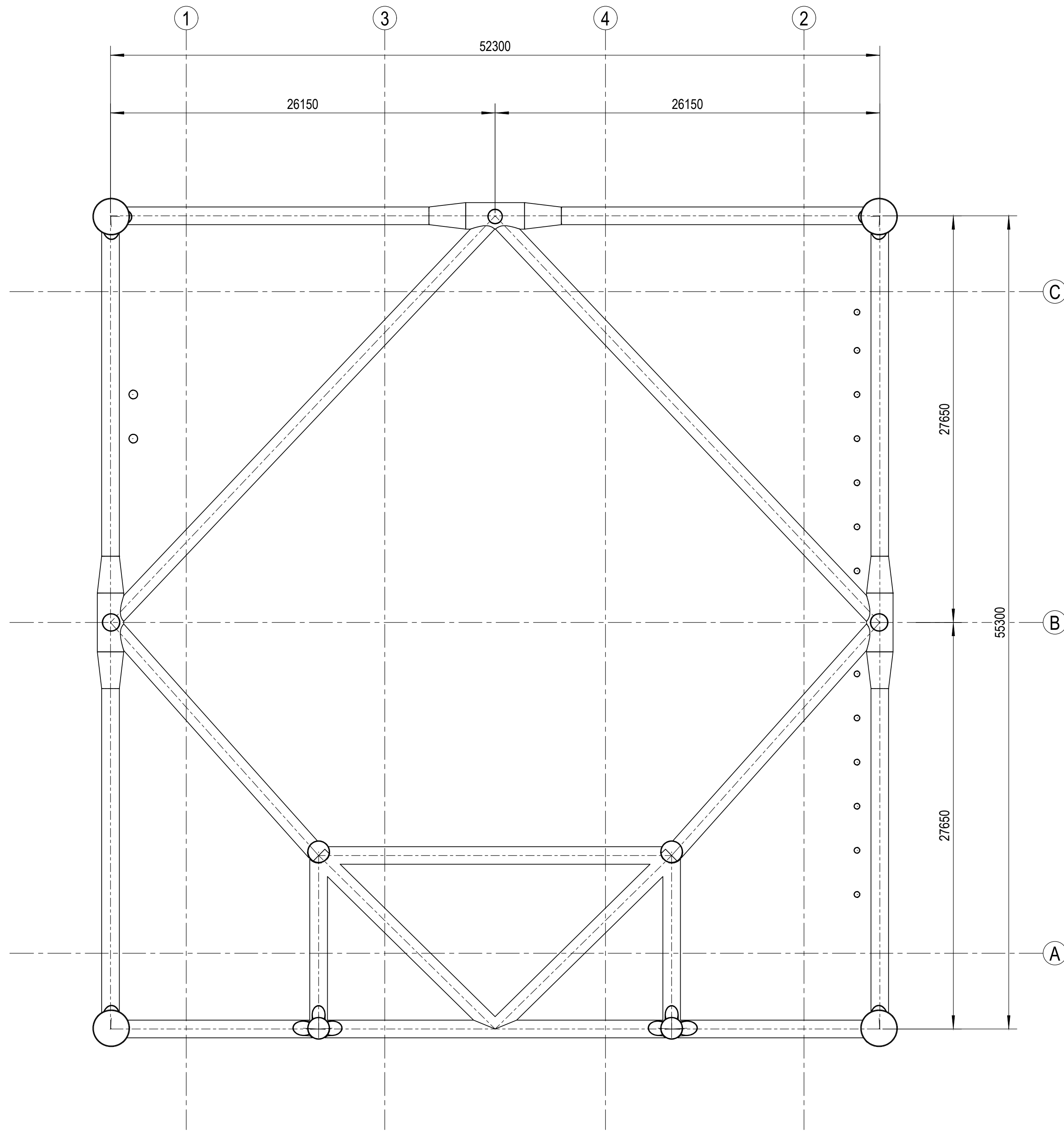
Rev.	Date	Created by	Checked by	Approved by	Description
00	16.10.2023	FM	GP	MT	First Issue
Customer		Project			Customer Document ID
Nemetun		Nemetun Offshore Substation			-
Project ID		Replacing		Based on	Scale
12083		-		-	1:200
Responsible Department		Created by		Checked by	Approved by
-		Fabio Maroni		Giulio Pascolini	Mauro Tavola
Title		Document ID			
SUBSTATION JACKET - PLAN AT EL. -87.00		12083-CDD-118			
KKS-N0: -		Rev.	Rel. Date	Page	
		00	16.10.2023	1/1	

File name: 12083-CDD-118_00.dwg



Mod. UNI-A1/0

PLATFORM NORTH



PLAN AT EL. -113.00
REFERRED TO C.L. PIPE

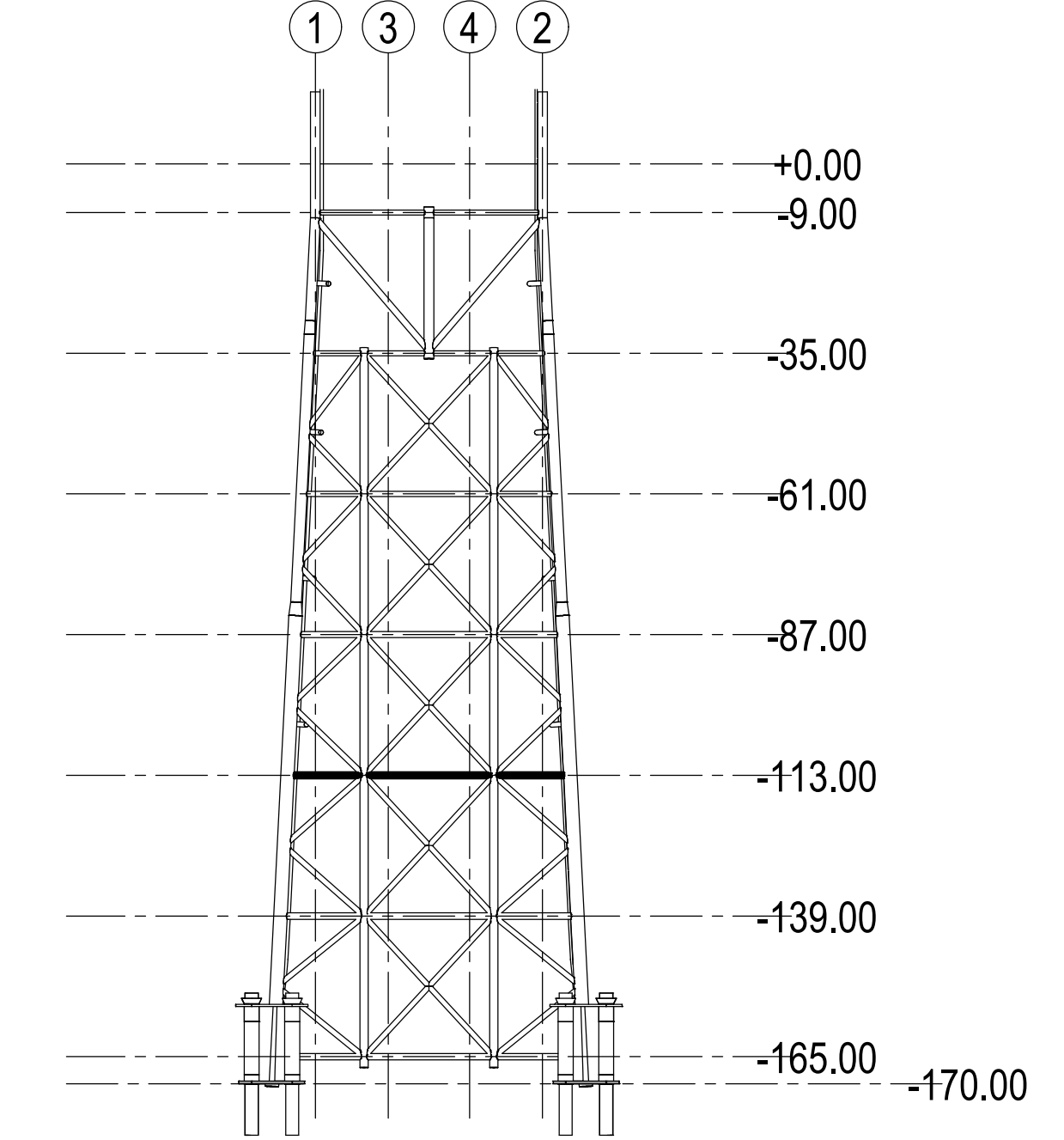
REFERENCE DOCUMENTS

REF	DOC TAG	DESCRIPTION
1	12083-CDD-100	SUBSTATION - ASSEMBLY - ISOMETRIC VIEW

NOTES

- 1 - ALL DIMENSIONS ARE IN mm U.N.O.
- 2 - ALL ELEVATION ARE IN m REFERRED TO L.A.T.

KEY ELEVATION



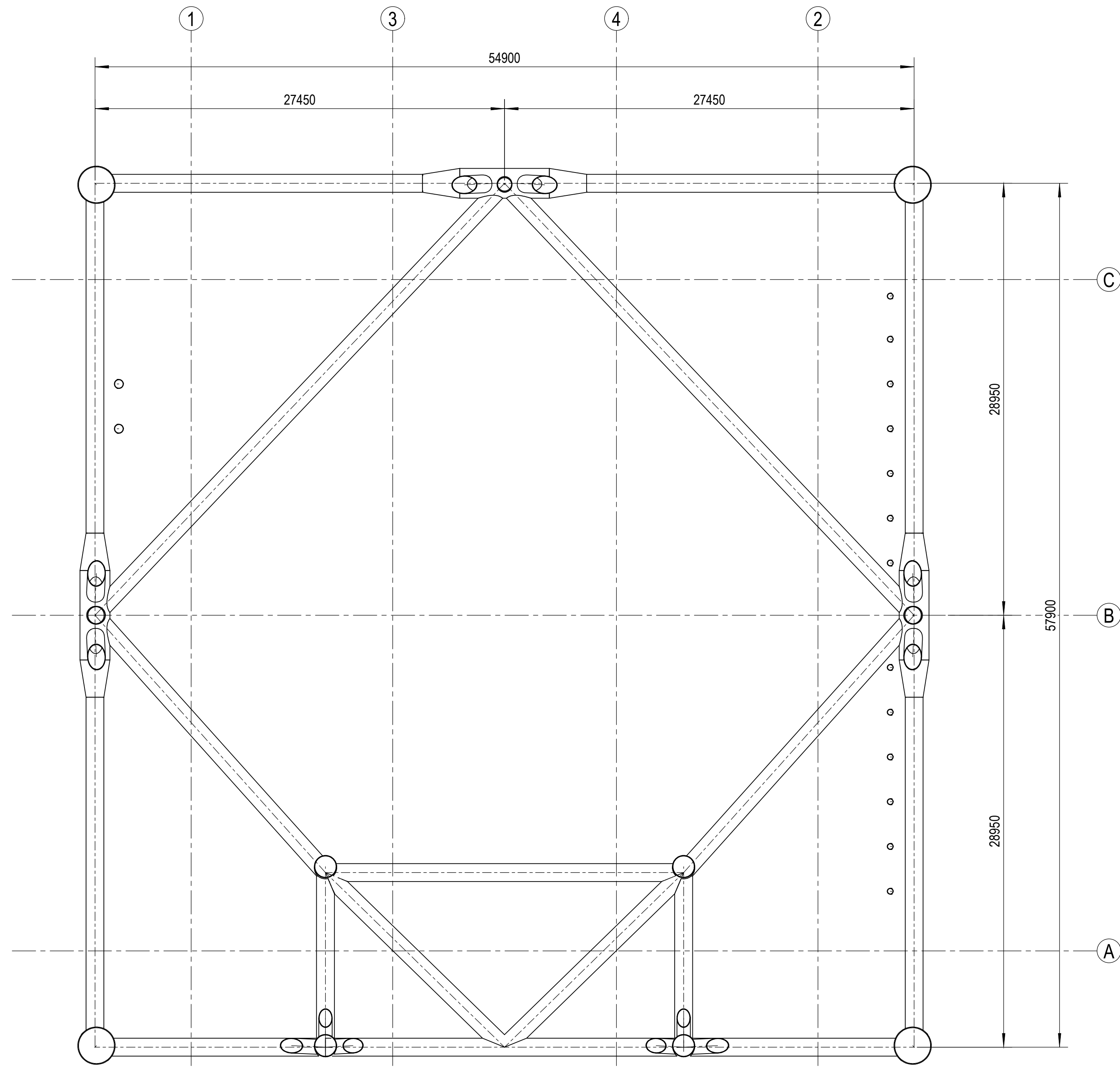
Rev	Date	Created by	Checked by	Approved by	Description
00	16.10.2023	FM	GP	MT	First Issue
Customer		Project			Customer Document ID
Nemetun		Nemetun Offshore Substation			-
Project ID		Replacing		Based on	Scale
12083		-		-	1:200
Responsible Department		Created by		Checked by	Approved by
-		Fabio Maroni		Giulio Pascolini	Mauro Tavola
Title		Document ID			
SUBSTATION JACKET - PLAN AT EL. -113.00		12083-CDD-119			
KKS-N0: -		Rev.	Rel. Date	Page	
		00	16.10.2023	1/1	

File name: 12083-CDD-119_00.dwg



Mod. UNI-A1/0

PLATFORM NORTH



PLAN AT EL. -139.00
REFERRED TO C.L. PIPE

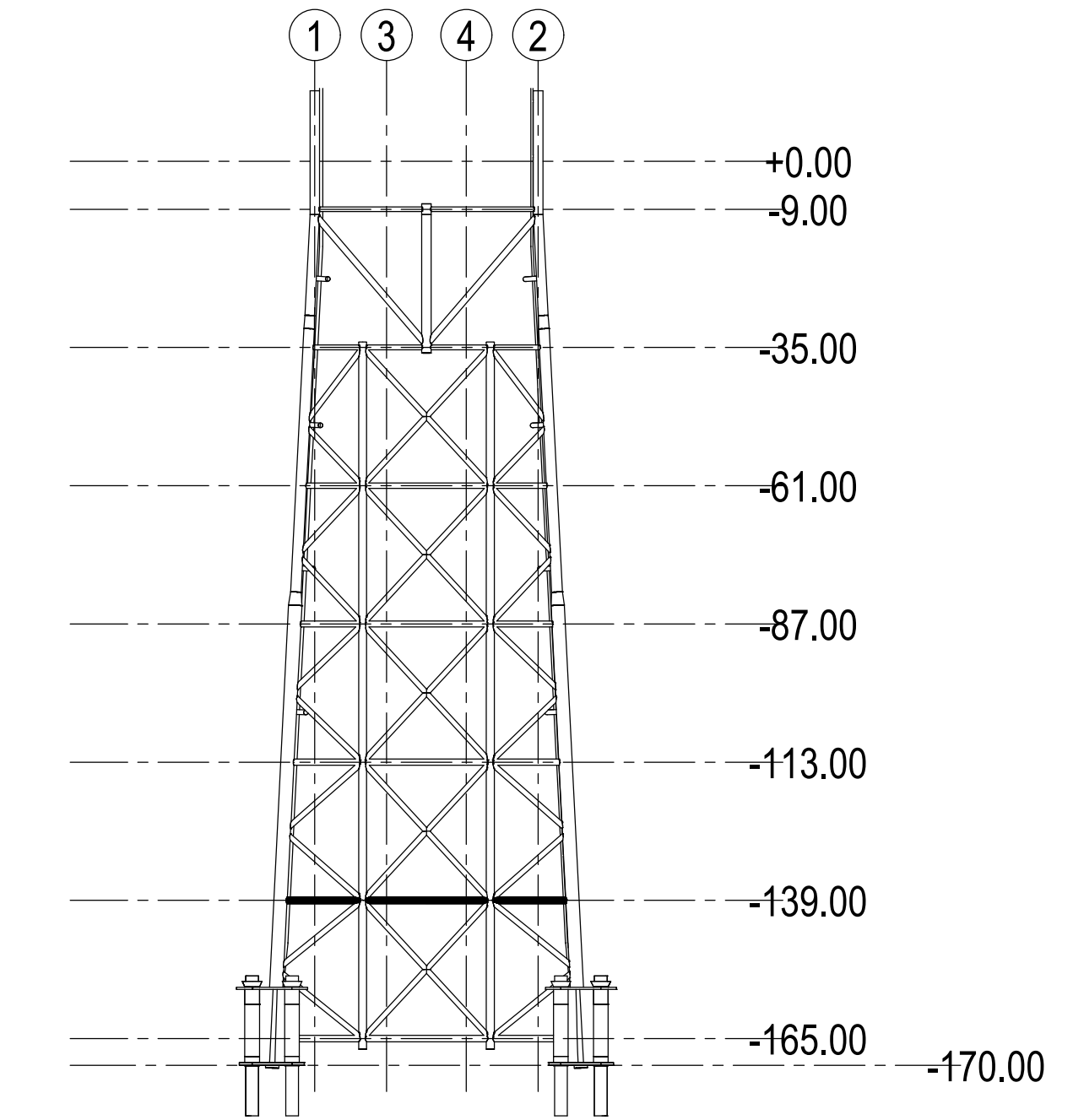
REFERENCE DOCUMENTS

REF	DOC TAG	DESCRIPTION
1	12083-CDD-100	SUBSTATION - ASSEMBLY - ISOMETRIC VIEW

NOTES

- 1 - ALL DIMENSIONS ARE IN mm U.N.O.
- 2 - ALL ELEVATION ARE IN m REFERRED TO L.A.T.

KEY ELEVATION



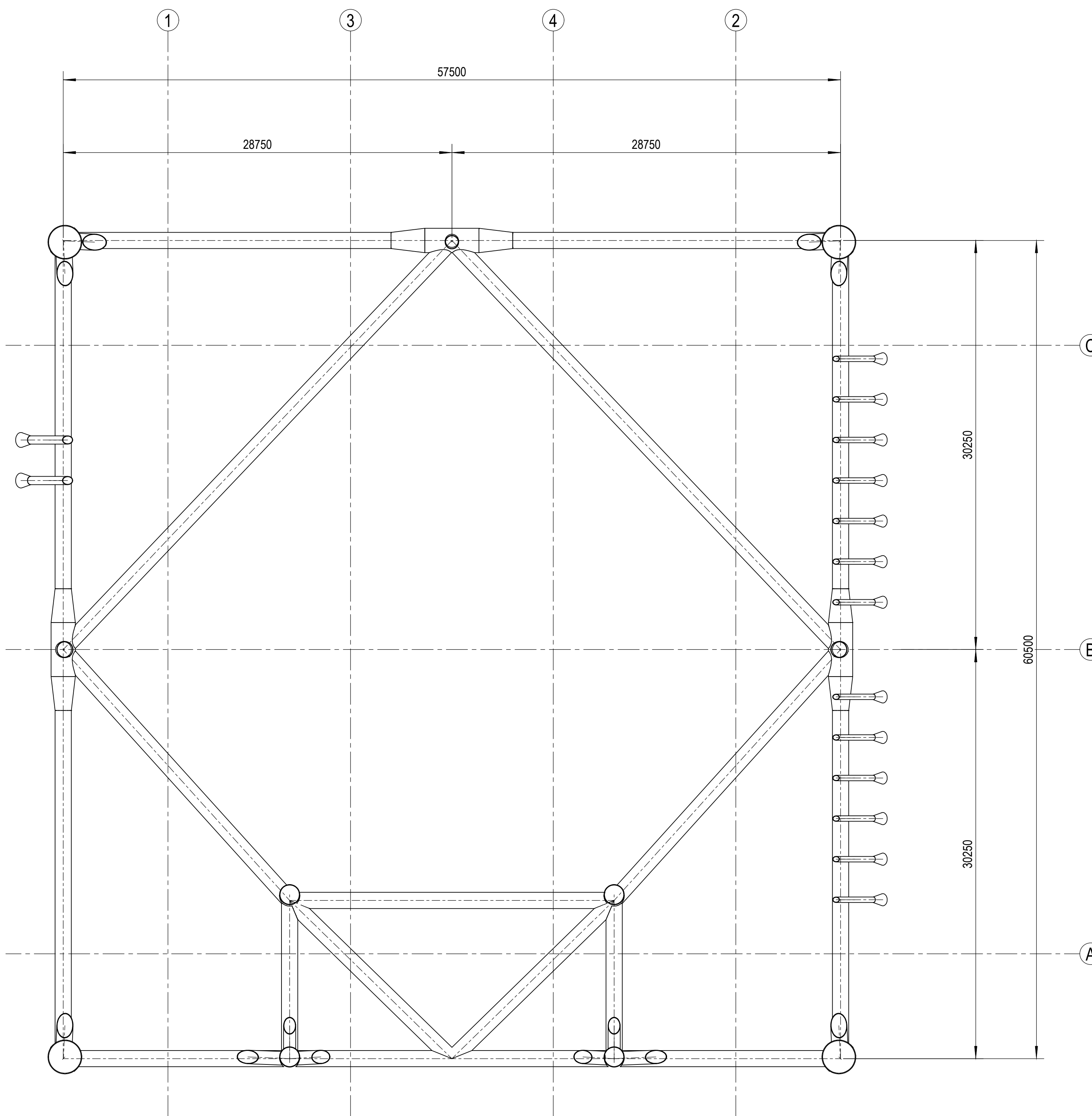
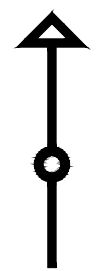
Rev	Date	Created by	Checked by	Approved by	Description
00	16.10.2023	FM	GP	MT	First Issue
Customer		Project			Customer Document ID
Nemetun		Nemetun Offshore Substation			-
Project ID		Replacing		Based on	Scale
12083		-		-	1:200
Responsible Department		Created by		Checked by	Approved by
-		Fabio Maroni		Giulio Pascolini	Mauro Tavola
Title		Document ID			
SUBSTATION JACKET - PLAN AT EL. -139.00		12083-CDD-120			
KKS-N0: -		Rev.	Rel. Date	Page	
		00	16.10.2023	1/1	

File name: 12083-CDD-120_00.dwg



Mod. UNI-A1/0

PLATFORM NORTH



PLAN AT EL. -165.00
REFERRED TO C.L. PIPE

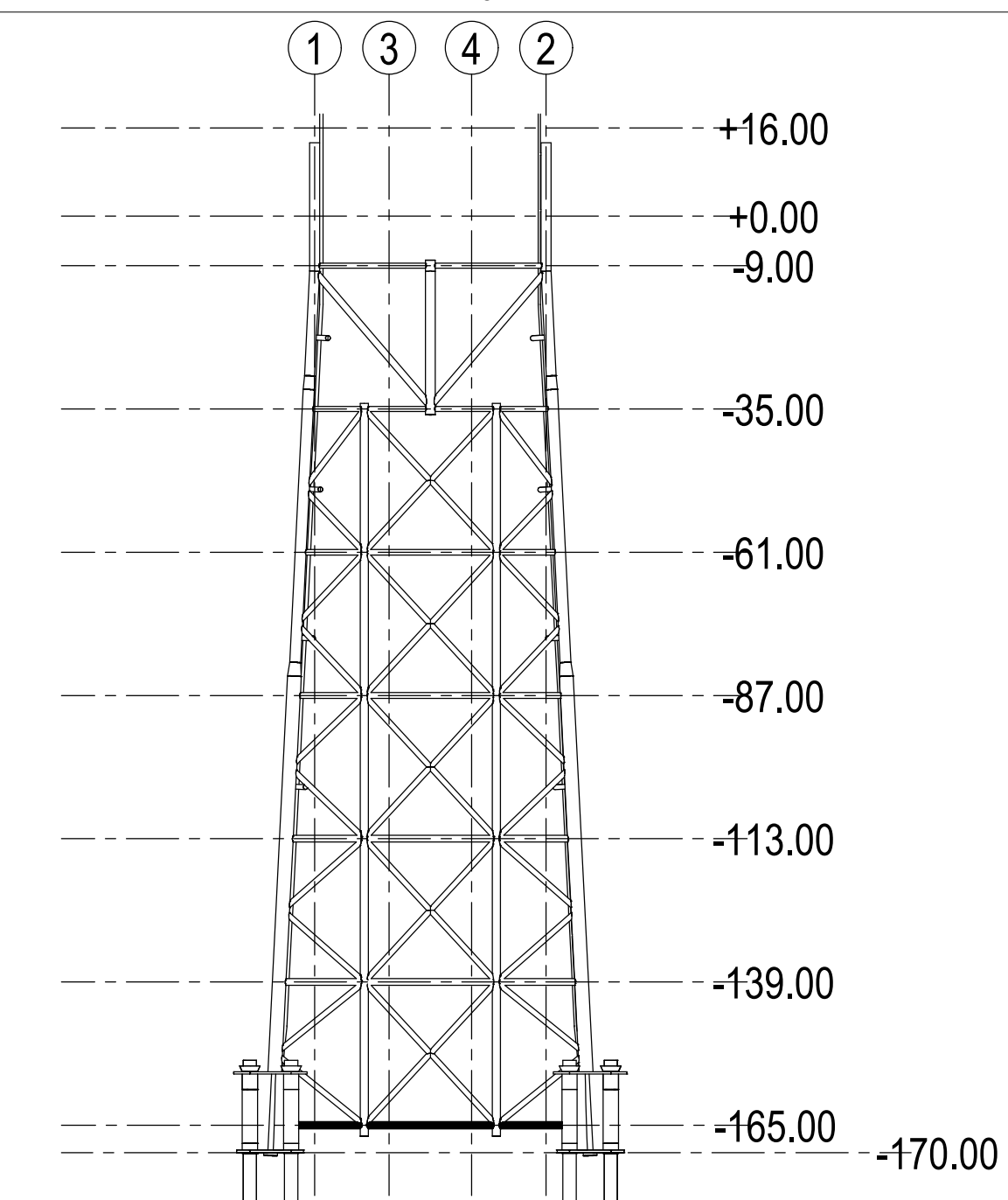
REFERENCE DOCUMENTS

REF	DOC TAG	DESCRIPTION
1	12083-CDD-100	SUBSTATION - ASSEMBLY - ISOMETRIC VIEW

NOTES

- 1 - ALL DIMENSIONS ARE IN mm U.N.O.
- 2 - ALL ELEVATION ARE IN m REFERRED TO L.A.T.

KEY ELEVATION

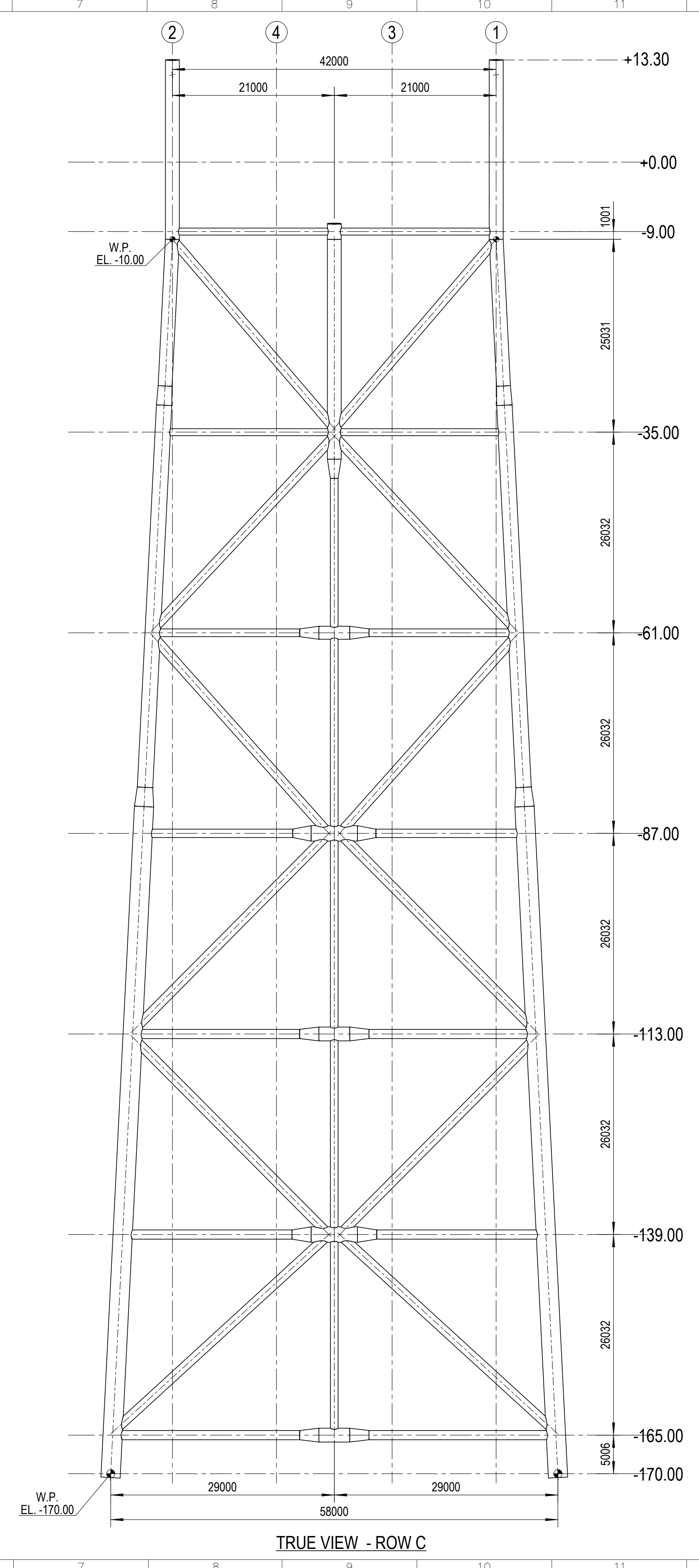
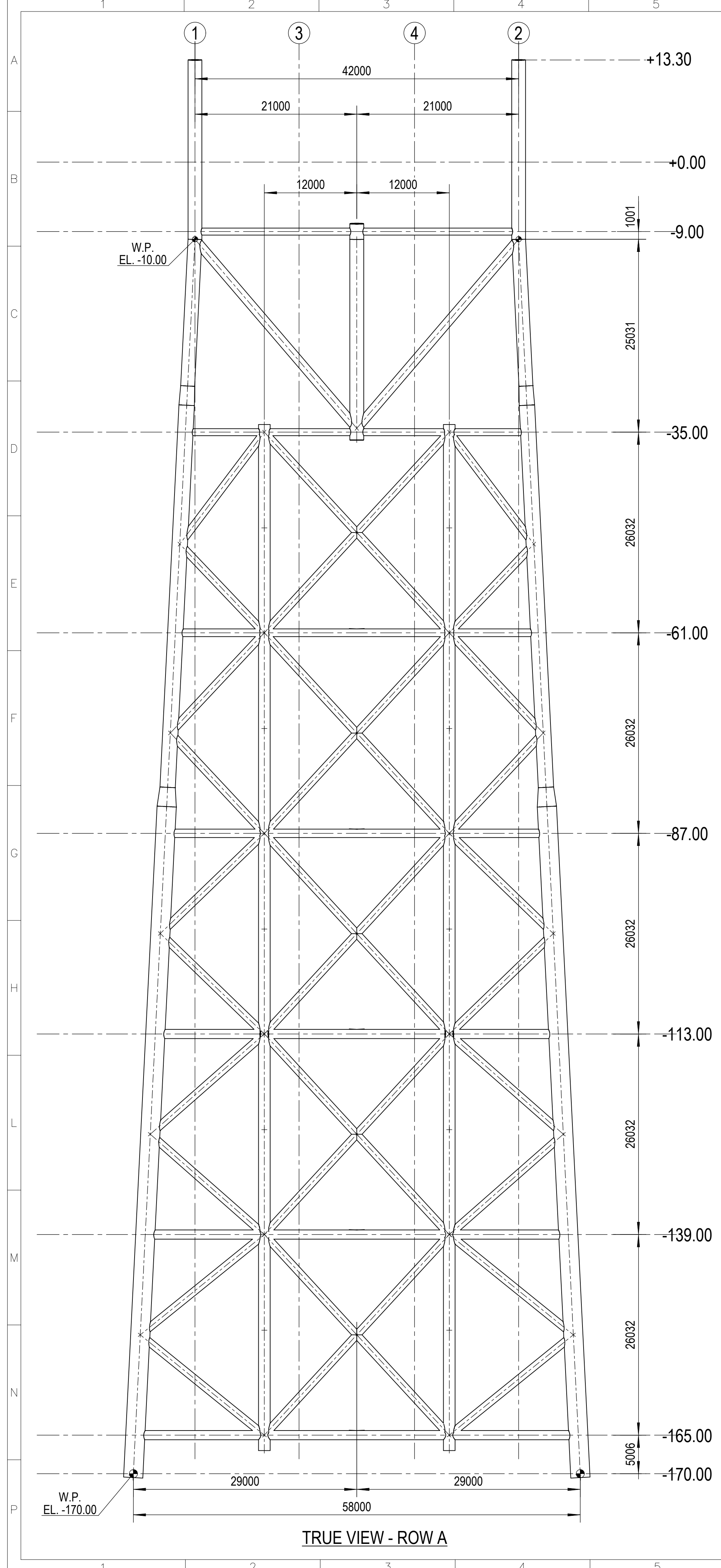


Rev.	Date	Created by	Checked by	Approved by	Description
00	16.10.2023	FM	GP	MT	First Issue
Customer		Project			Customer Document ID
Nemetun		Nemetun Offshore Substation			-
Project ID		Replacing		Based on	Scale
12083		-		-	1:200
Responsible Department		Created by		Checked by	Approved by
-		Fabio Maroni		Giulio Pascolini	Mauro Tavola
Title		Document ID			
SUBSTATION JACKET - PLAN AT EL. -165.00		12083-CDD-121			
KKS-N0: -		Rev.	Rel. Date	Page	
		00	16.10.2023	1/1	

File name: 12083-CDD-121_00.dwg



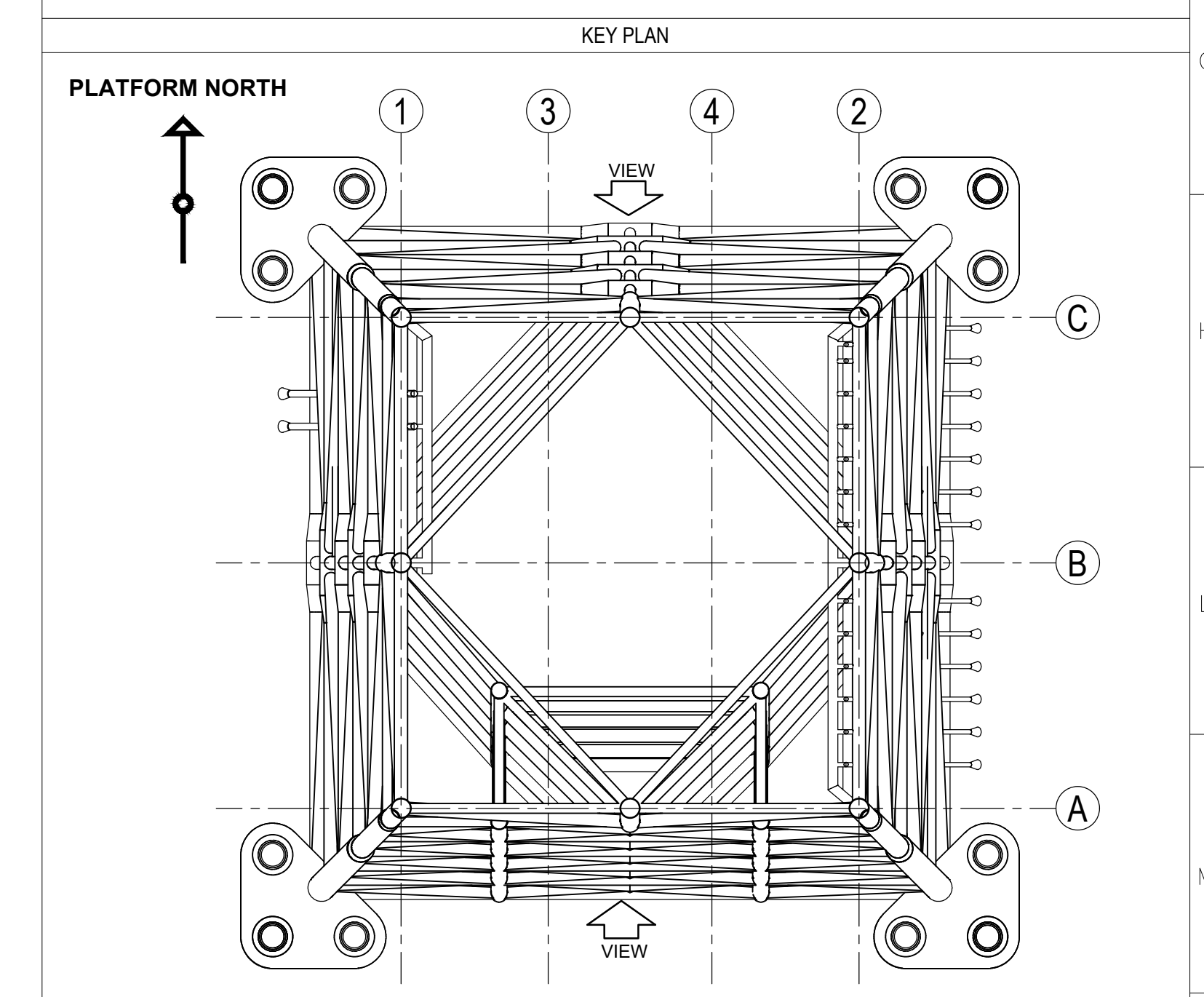
Mod. UNI-A1/0



REFERENCE DOCUMENTS		
REF	DOC TAG	DESCRIPTION
1	12083-CDD-100	SUBSTATION - ASSEMBLY - ISOMETRIC VIEW

NOTES

1 - ALL DIMENSIONS ARE IN mm U.N.O.
 2 - ALL ELEVATIONS ARE IN m REFERRED TO L.A.T.

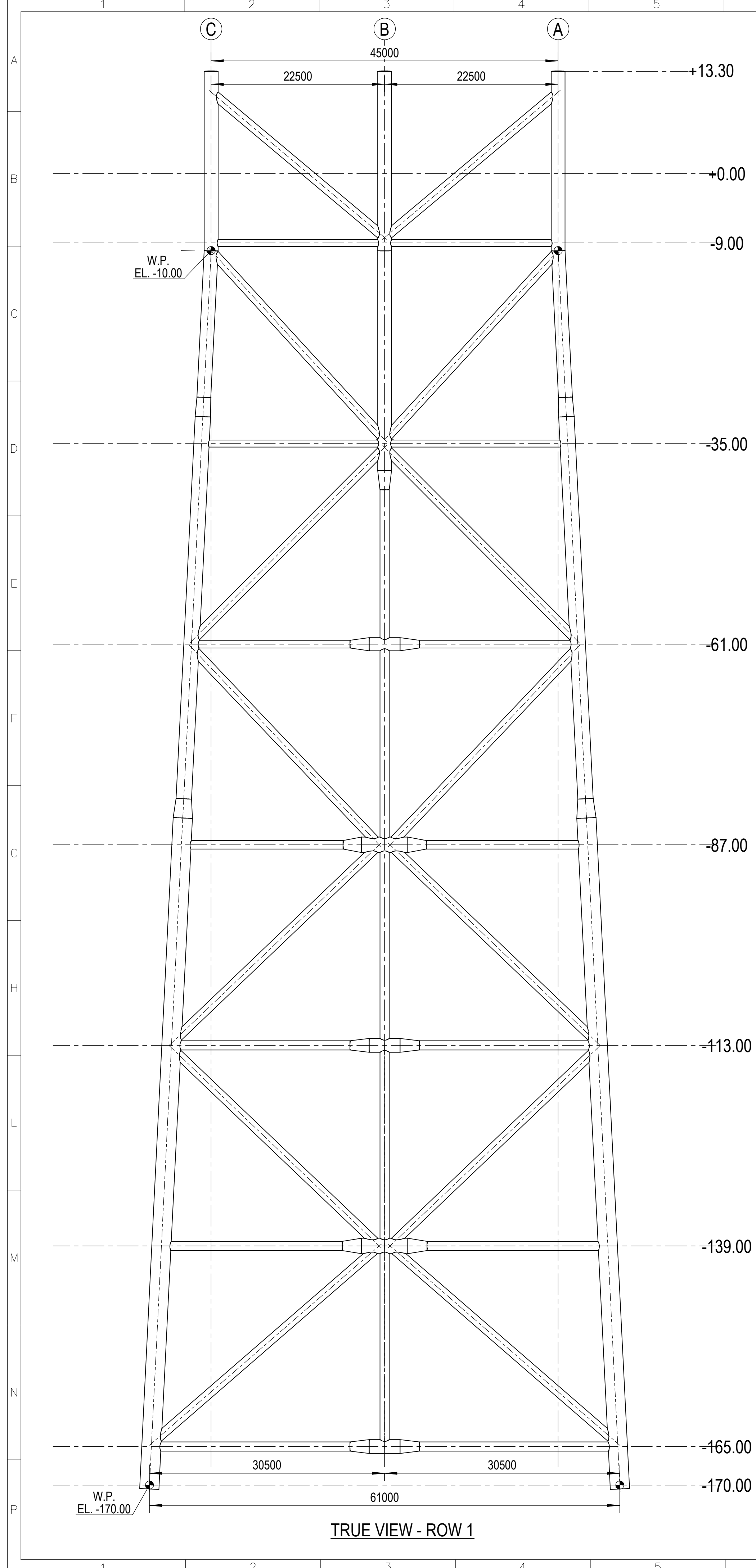


Rev.	Date	Created by	Checked by	Approved by	Description
00	16.10.2023	FM	GP	MT	First Issue
Customer		Project		Customer Document ID	
Nemetun		Nemetun Offshore Substation		-	
Project ID		Replacing		Based on	
12083		-		1:350	
Responsible Department		Created by		Checked by	
-		Fabio Maroni		Giulio Pascolini	
Title		Document ID		Approved by	
SUBSTATION JACKET - TRUE VIEW ROW A - C		12083-CDD-122		Mauro Tavola	
KKS-N0: -		Rev.		Rel. Date	
-		00		16.10.2023	
				Page	
				1/1	

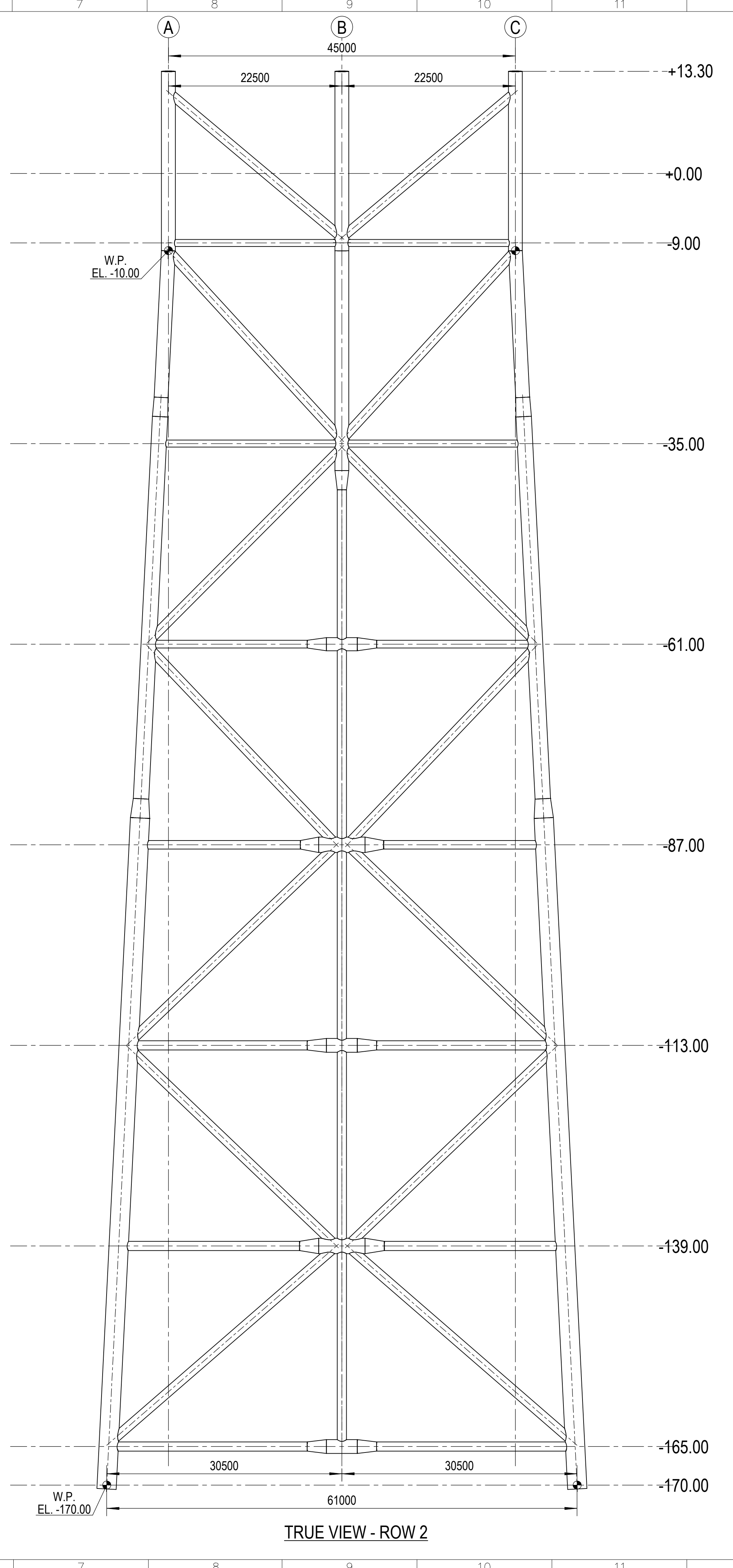
File name: 12083-CDD-122_00.dwg



Msc. UNI-A1/0



TRUE VIEW - ROW 1

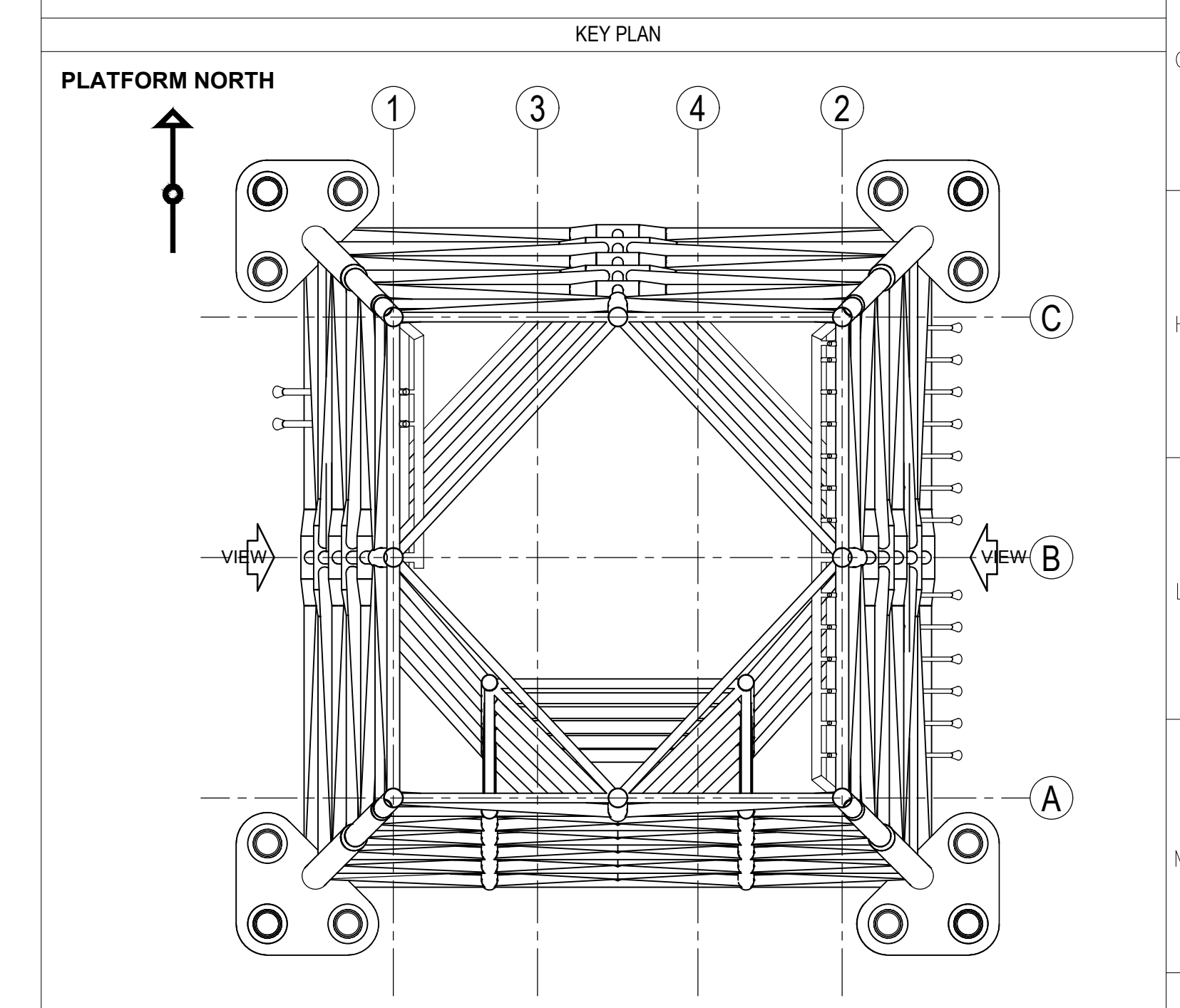


TRUE VIEW - ROW 2

REFERENCE DOCUMENTS		
REF	DOC TAG	DESCRIPTION
1	12083-CDD-100	SUBSTATION - ASSEMBLY - ISOMETRIC VIEW

NOTES

1 - ALL DIMENSIONS ARE IN mm U.N.O.
 2 - ALL ELEVATION ARE IN m REFERRED TO L.A.T.

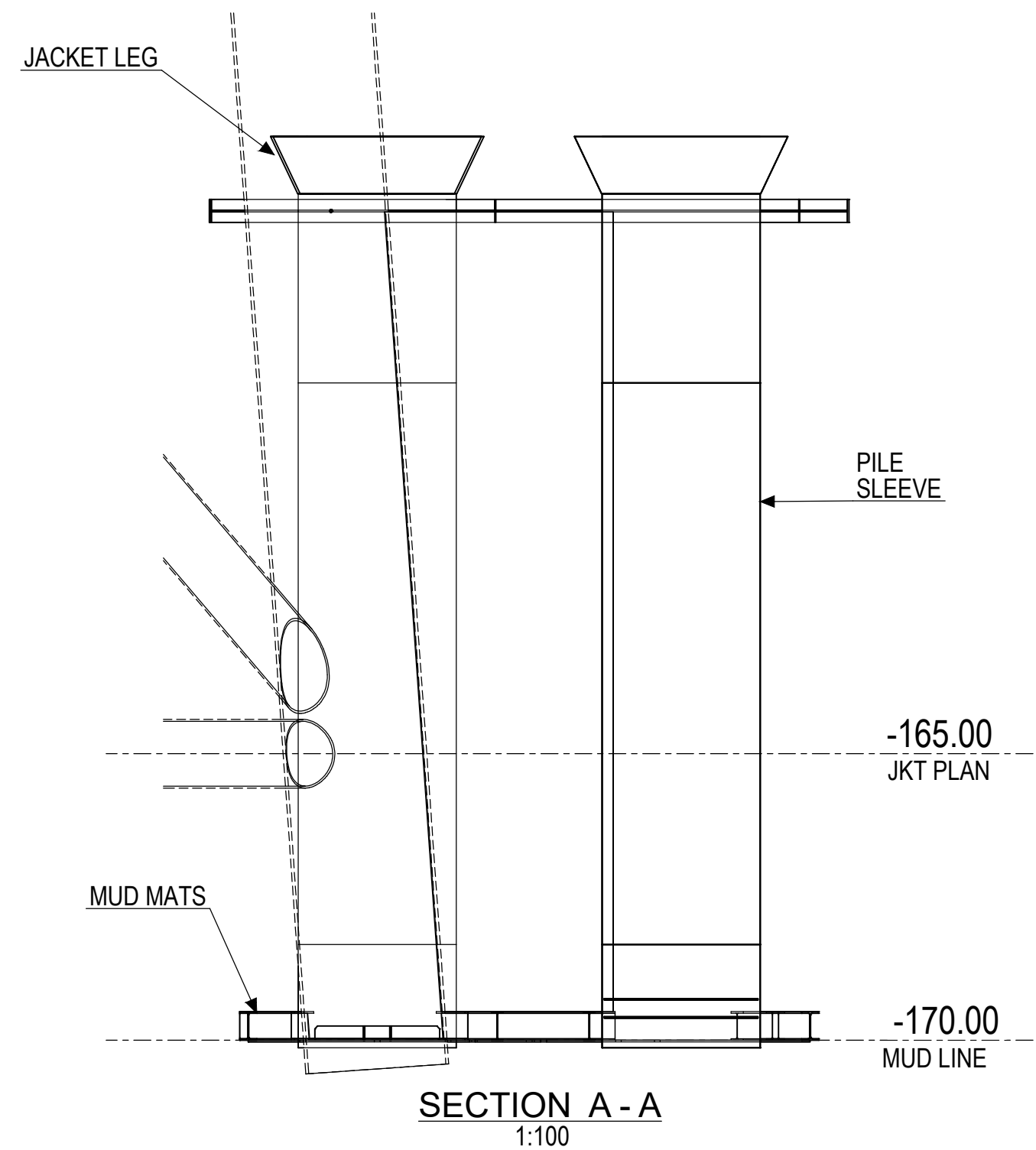
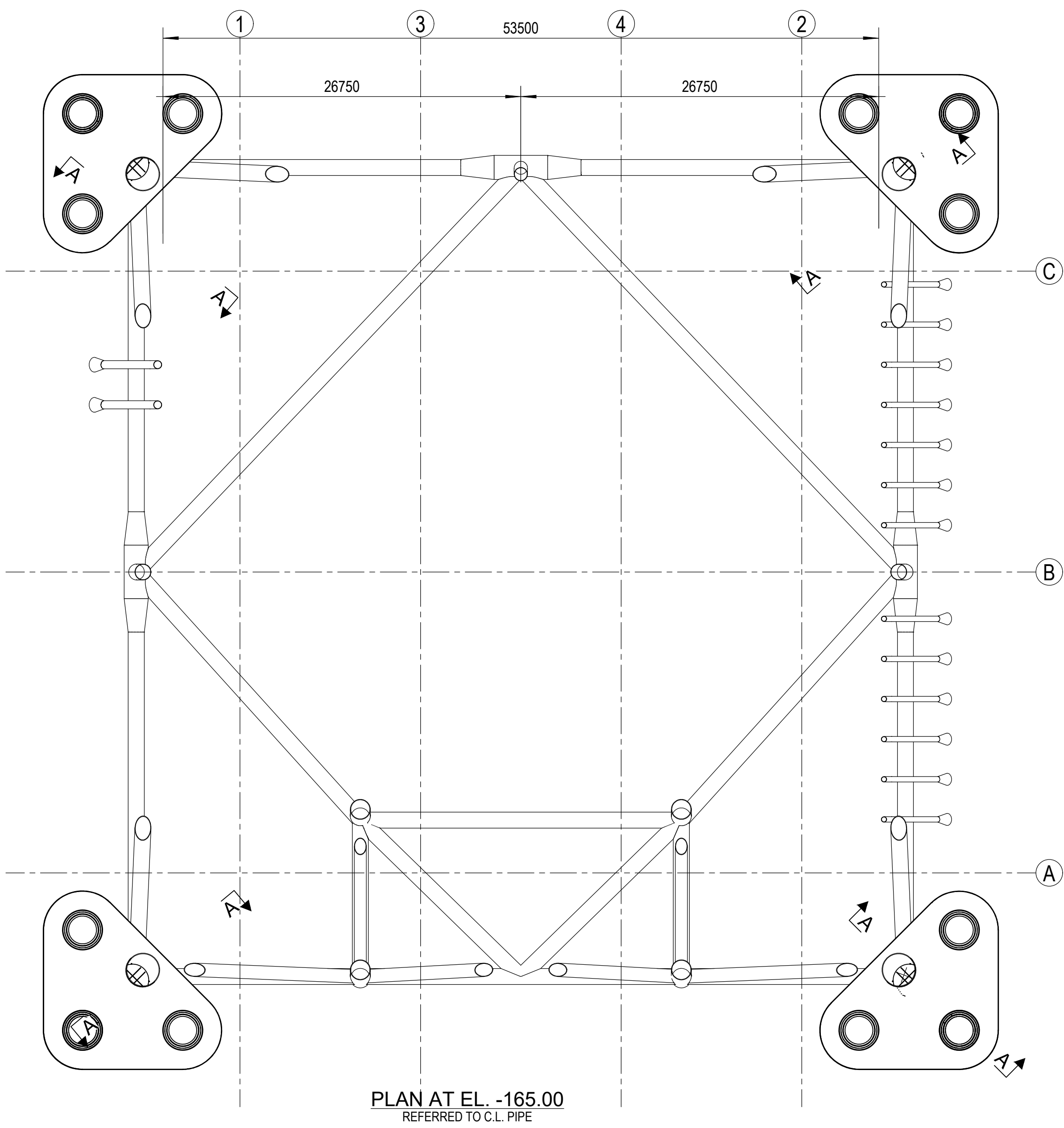


Rev.	Date	Created by	Checked by	Approved by	Description
00	16.10.2023	FM	GP	MT	First Issue
Customer		Project		Customer Document ID	
Nemetun		Nemetun Offshore Substation		-	
Project ID		Replacing		Based on	
12083		-		-	
Responsible Department		Created by		Checked by	
-		Fabio Maroni		Giulio Pascolini	
Approved by		Title		Document ID	
Mauro Tavola		SUBSTATION JACKET - TRUE VIEW ROW 1 - 2		12083-CDD-123	
KKS-N0: -		Rev.		Rel. Date	
-		00		16.10.2023	
		Page		1/1	

File name: 12083-CDD-123_00.dwg



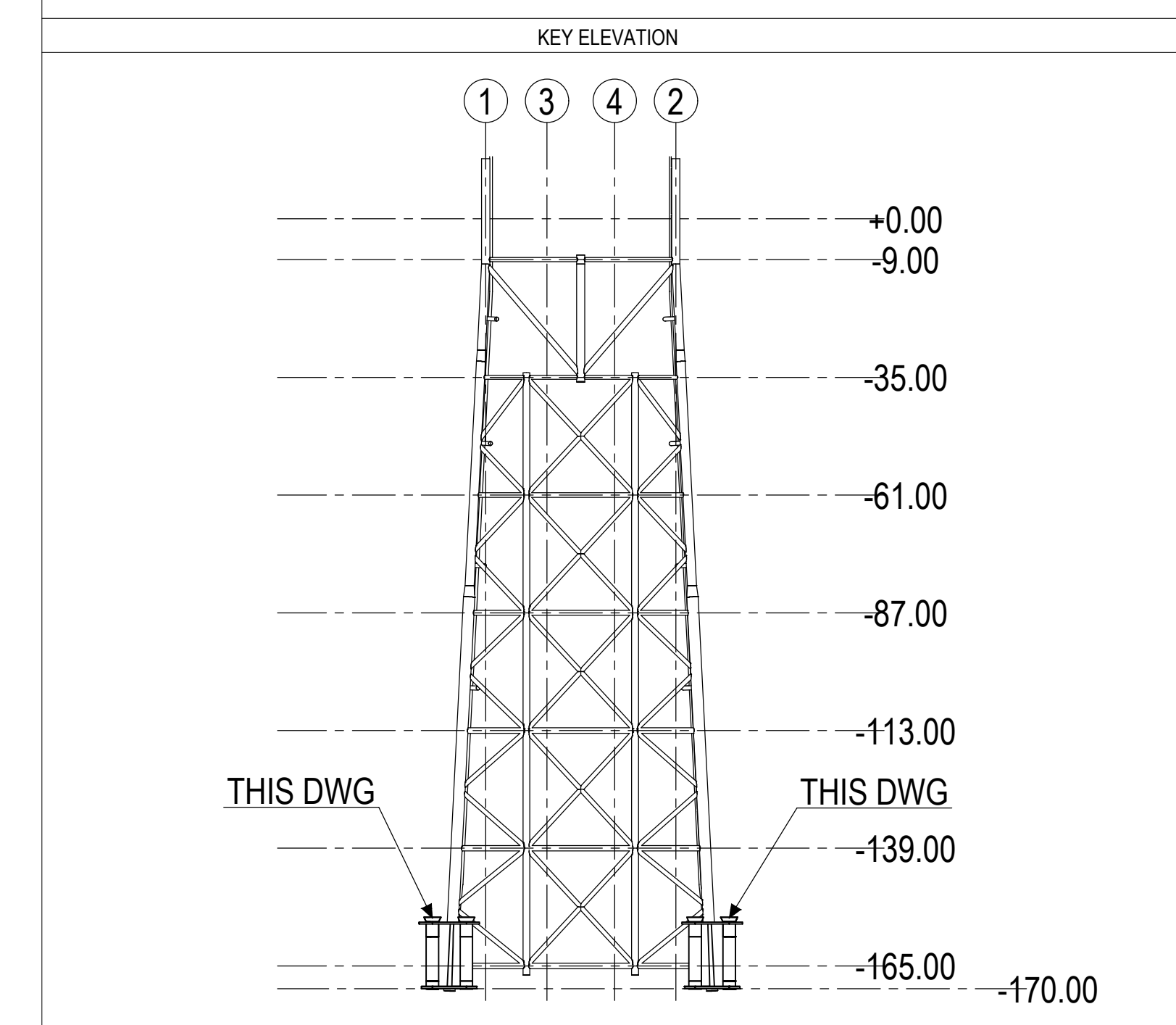
PLATFORM NORTH



REFERENCE DOCUMENTS		
REF	DOC TAG	DESCRIPTION
1	12083-CDD-100	SUBSTATION - ASSEMBLY - ISOMETRIC VIEW

NOTES

1 - ALL DIMENSIONS ARE IN mm U.N.O.
 2 - ALL ELEVATION ARE IN m REFERRED TO L.A.T.



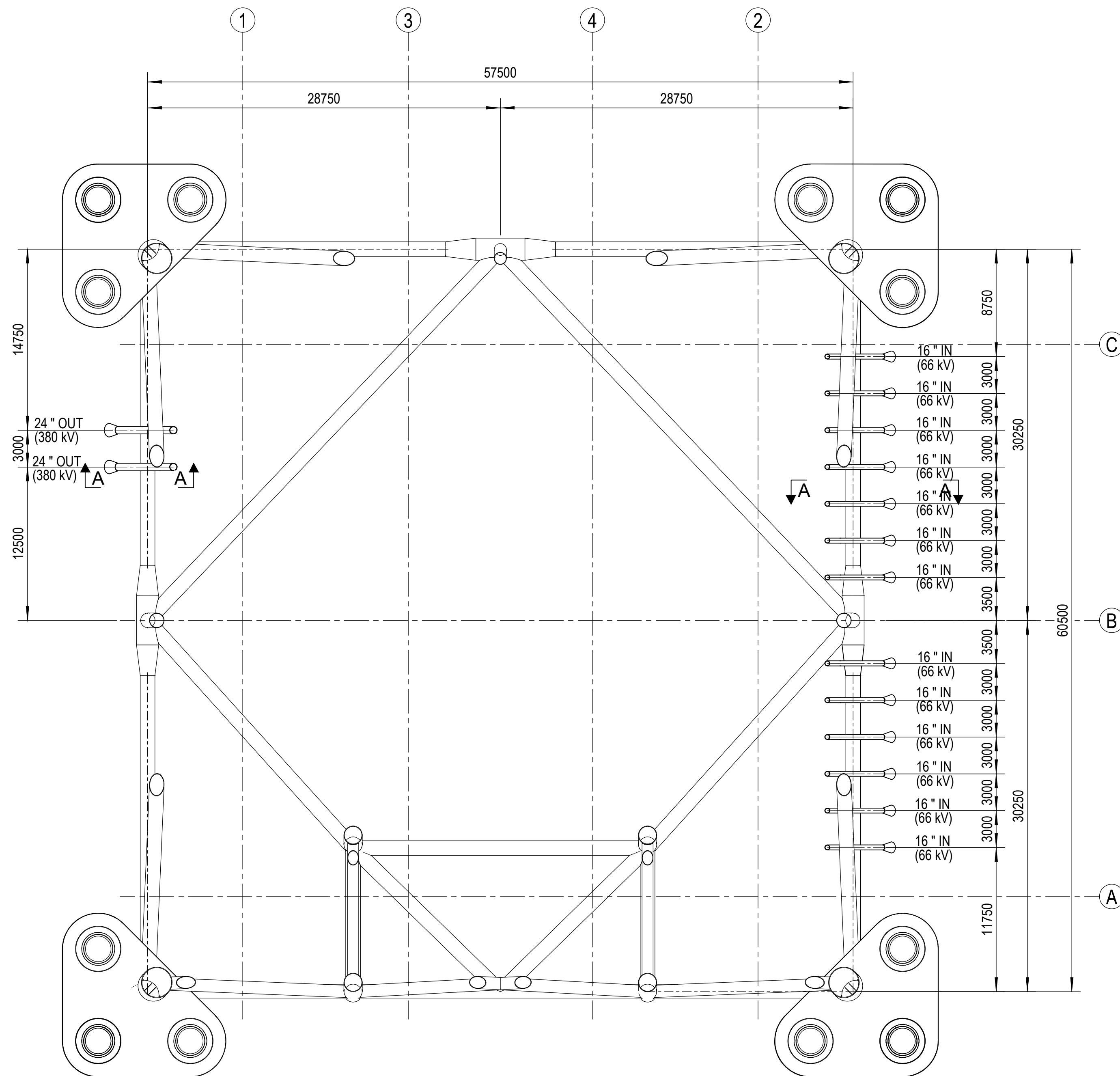
Rev.	Date	Created by	Checked by	Approved by	Description
00	16.10.2023	FM	GP	MT	First Issue
Customer		Project		Customer Document ID	
Nemetun		Nemetun Offshore Substation		-	
Project ID		Replacing		Based on	
12083		-		1:200	
Responsible Department		Created by		Checked by	
-		Fabio Maroni		Giulio Pascolini	
Approved by		Title		Document ID	
Mauro Tavola		SUBSTATION JACKET - PILES SLEEVES & MUD MATS ASSEMBLY		12083-CDD-124	
KKS-N01: -		Rev.		Rel. Date	
-		00		16.10.2023	
		Page		1/1	

File name: 12083-CDD-124_00.dwg

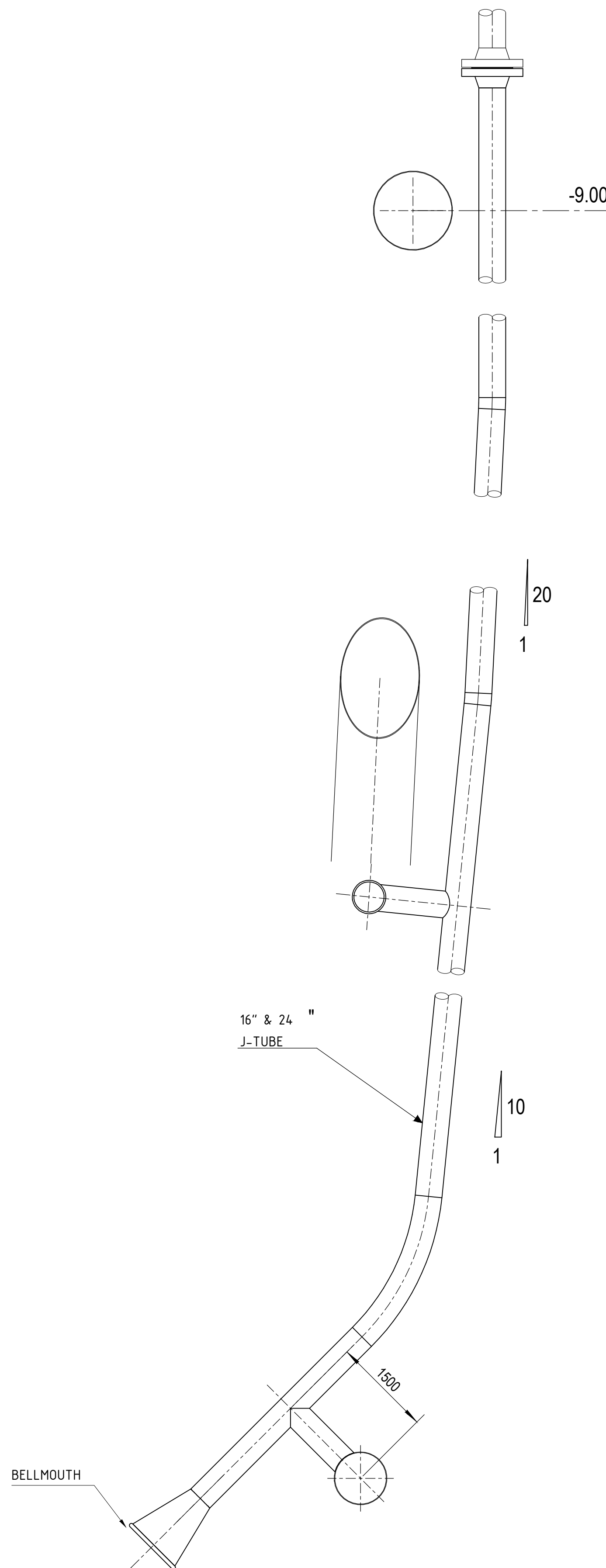


Mod. UNI-A1/0

PLATFORM NORTH



PLAN AT EL. -165.00
REFERRED TO C.L. PIPE

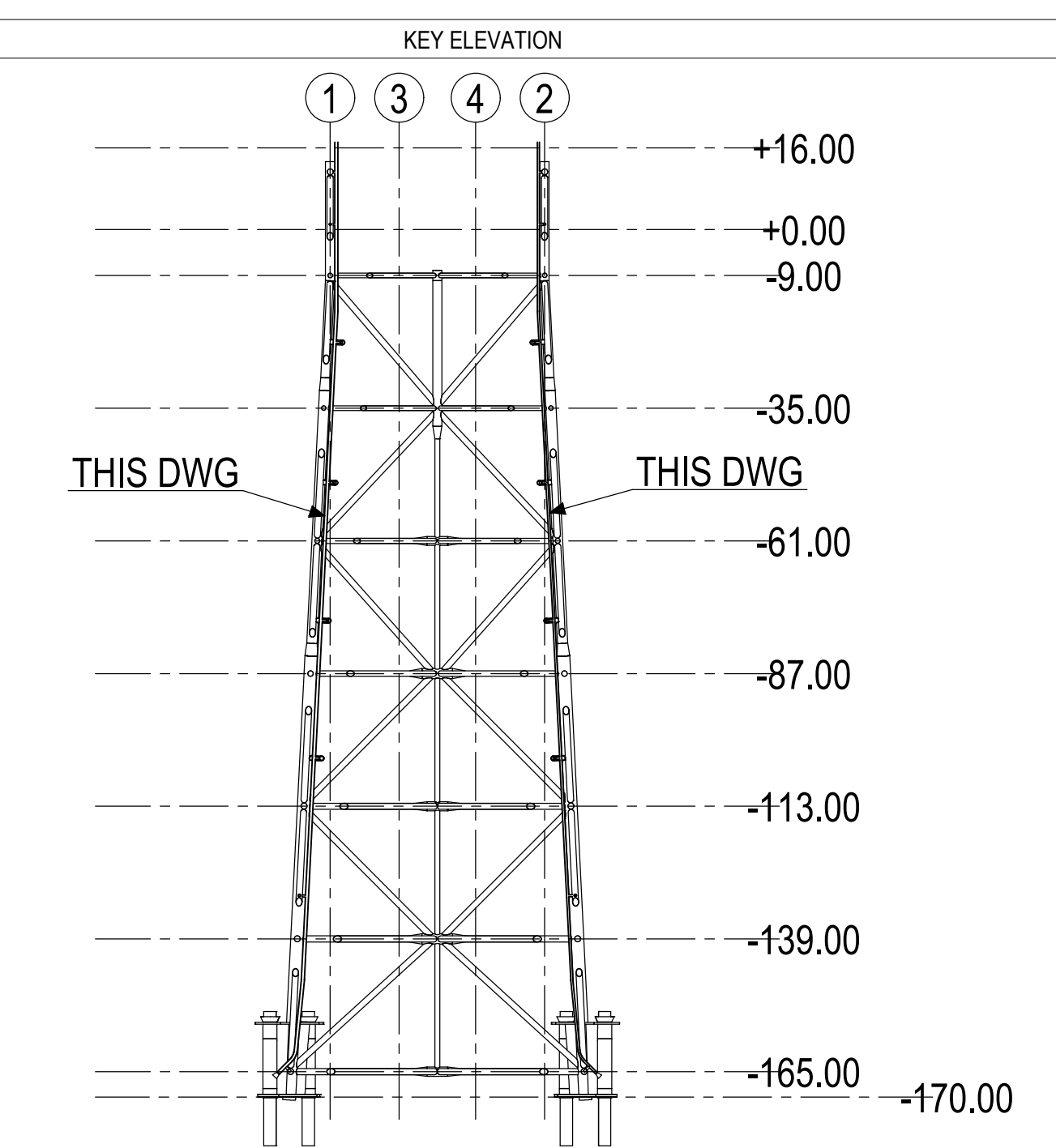


SECTION A - A
1:50

REFERENCE DOCUMENTS		
REF	DOC TAG	DESCRIPTION
1	12083-CDD-100	SUBSTATION - ASSEMBLY - ISOMETRIC VIEW

NOTES

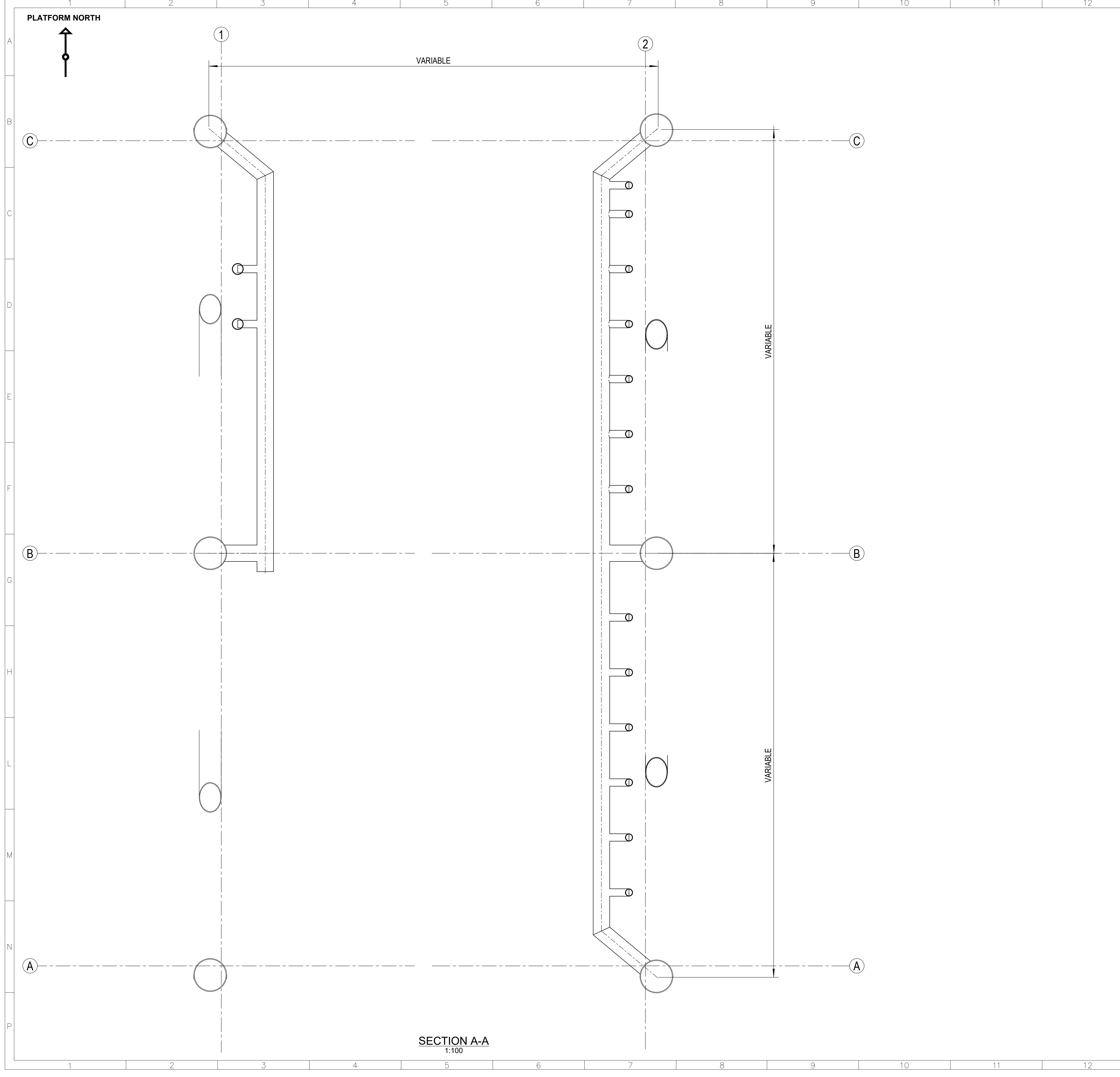
1 - ALL DIMENSIONS ARE IN mm U.N.O.
2 - ALL ELEVATION ARE IN m REFERRED TO L.A.T.



Rev	Date	Created by	Checked by	Approved by	Description
00	16.10.2023	FM	GP	MT	First Issue
Customer		Project			Customer Document ID
Nemetun		Nemetun Offshore Substation			-
Project ID		Replacing		Based on	Scale
12083		-		-	1:200
Responsible Department		Created by		Checked by	Approved by
-		Fabio Maroni		Giulio Pascolini	Mauro Tavola
Title		Document ID			
SUBSTATION JACKET - J-TUBES ASSEMBLY AND DETAILS		12083-CDD-125			
KKS-N0: -		Rev.	Rel. Date	Page	
		00	16.10.2023	1/1	

File name: 12083-CDD-125_00.dwg

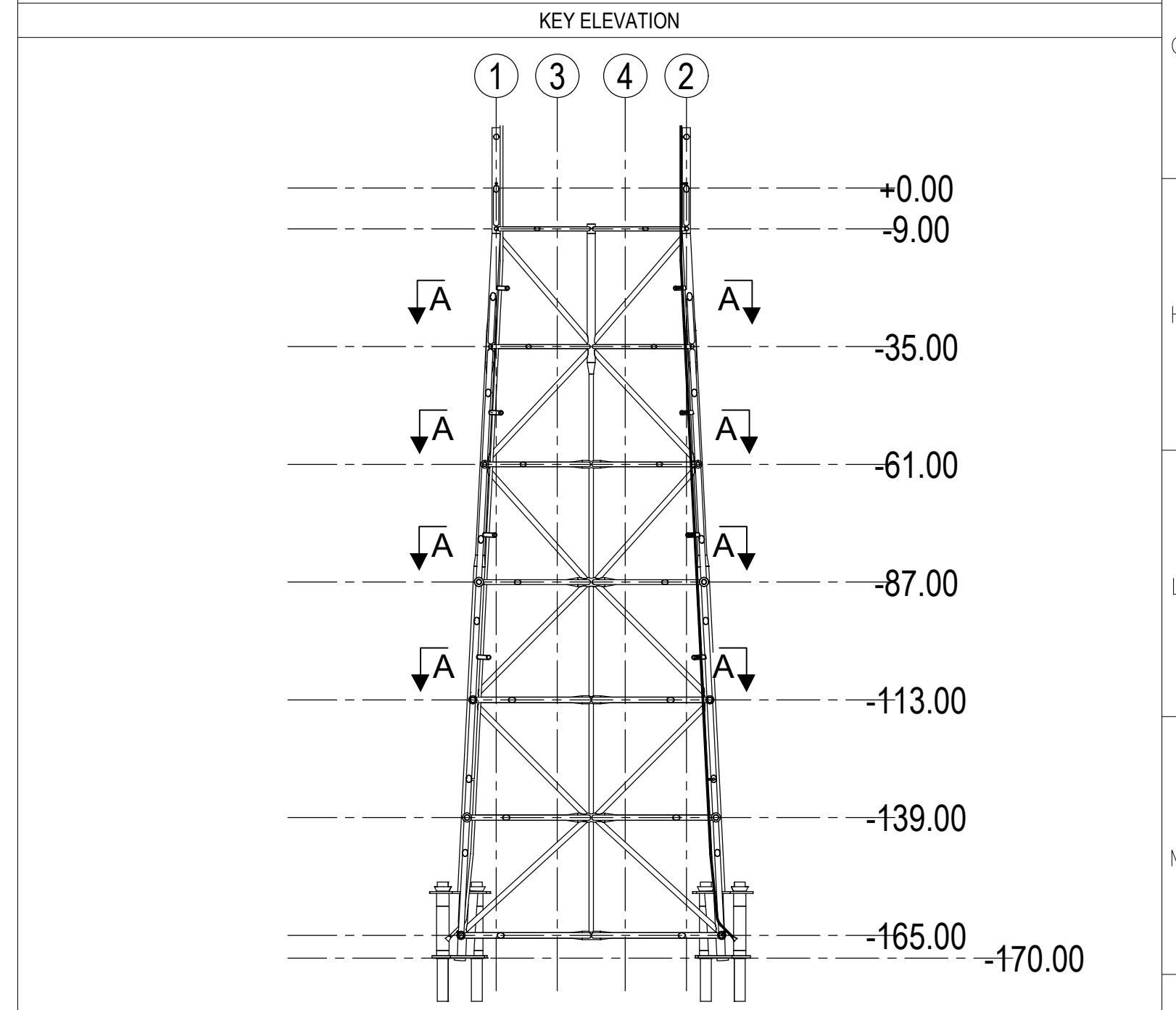




REFERENCE DOCUMENTS		
REF	DOC TAG	DESCRIPTION
1	12083-CDD-100	SUBSTATION - ASSEMBLY - ISOMETRIC VIEW

NOTES

1 - ALL DIMENSIONS ARE IN mm U.N.O.
 2 - ALL ELEVATION ARE IN m REFERRED TO L.A.T.

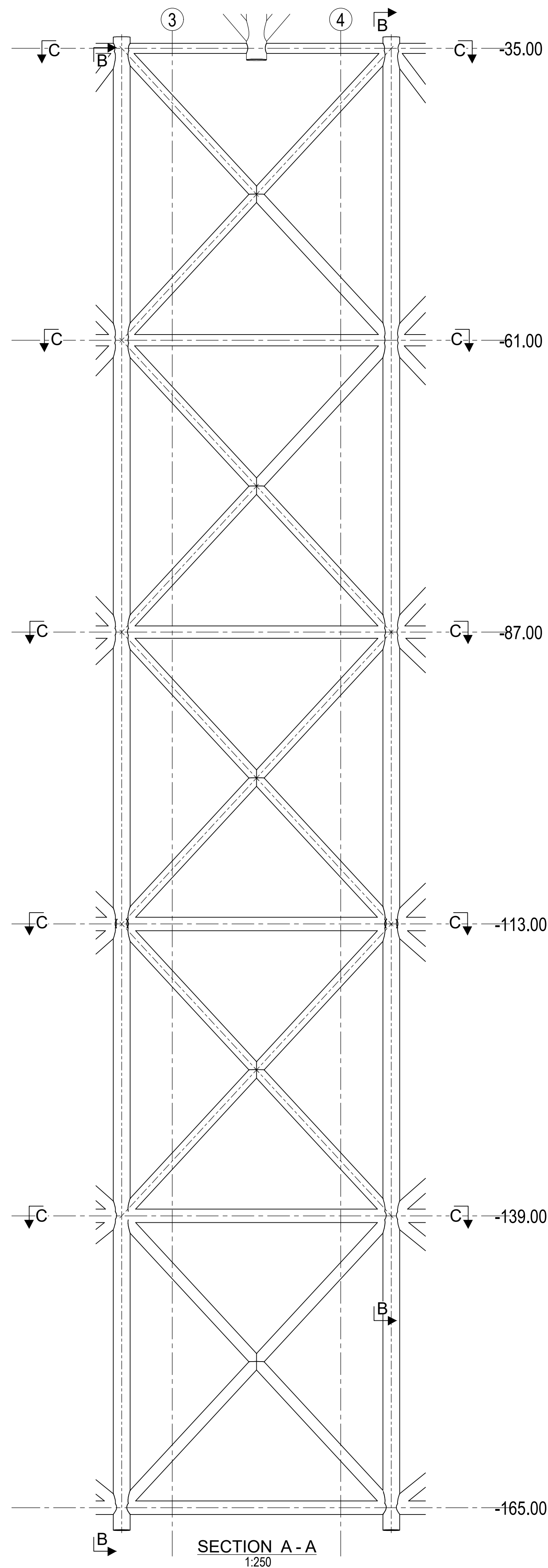


Rev.	Date	Created by	Checked by	Approved by	Description
00	16.10.2023	FM	GP	MT	First Issue
Customer		Project		Customer Document ID	
Nemetun		Nemetun Offshore Substation		-	
Project ID		Replacing		Based on	
12083		-		-	
Responsible Department		Created by		Checked by	
-		Fabio Maroni		Giulio Pascolini	
Approved by		Title		Document ID	
Mauro Tavola		SUBSTATION JACKET - J-TUBE SUPPORTS ASSEMBLY AND DETAILS		12083-CDD-126	
KKS-N0: -		Rev.		Rel. Date	
-		00		16.10.2023	
Page		1/1		1/1	

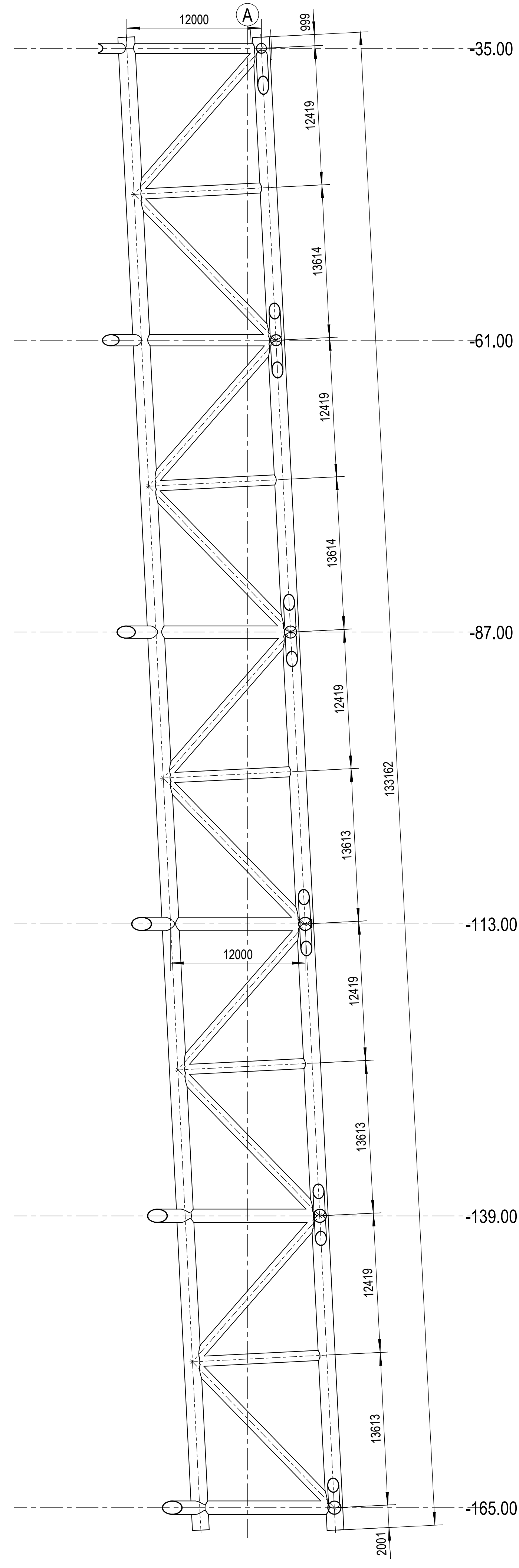
File name: 12083-CDD-126_00.dwg



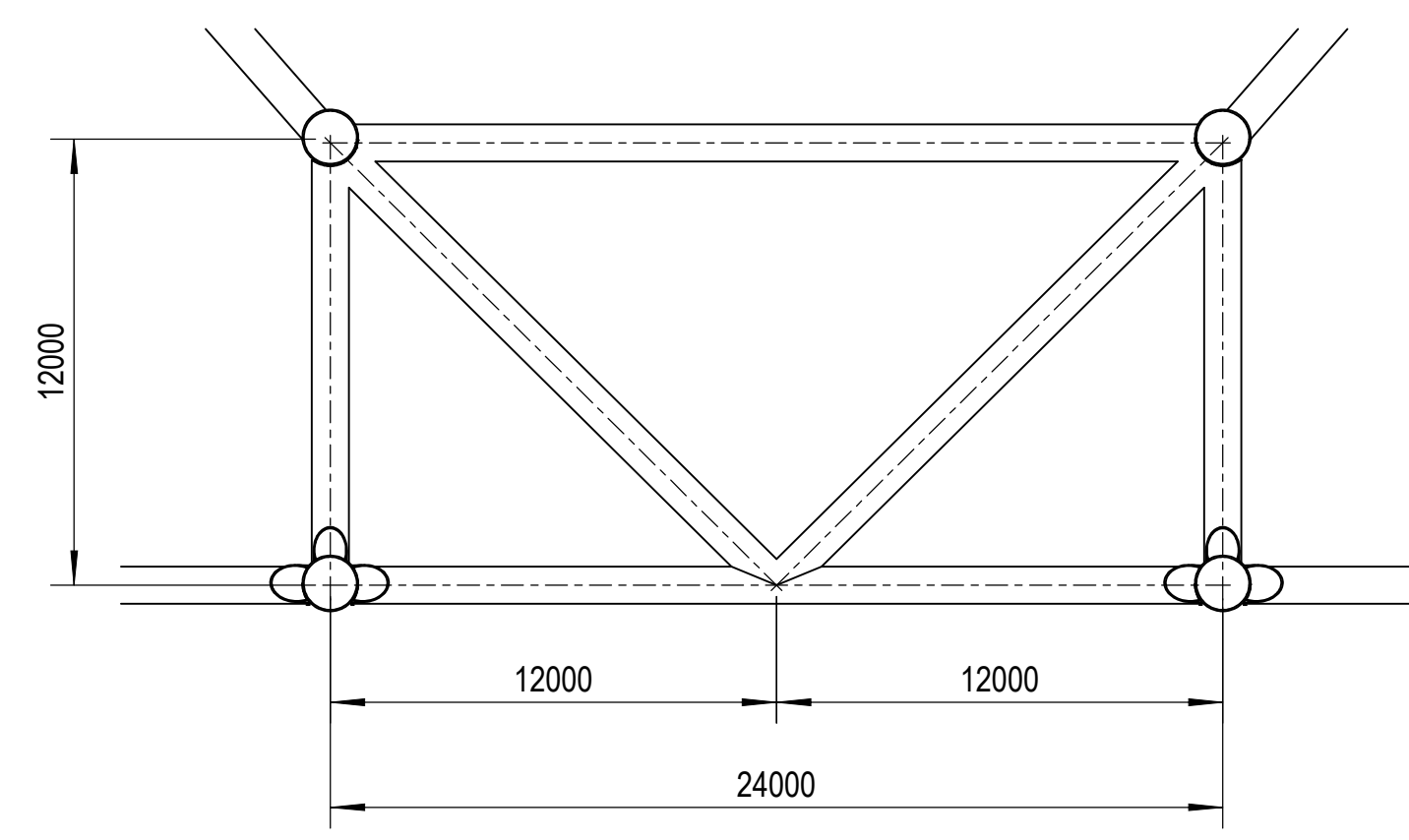
Mod. UNI-A1/0



SECTION A - A
1:250



SECTION B - B
1:250

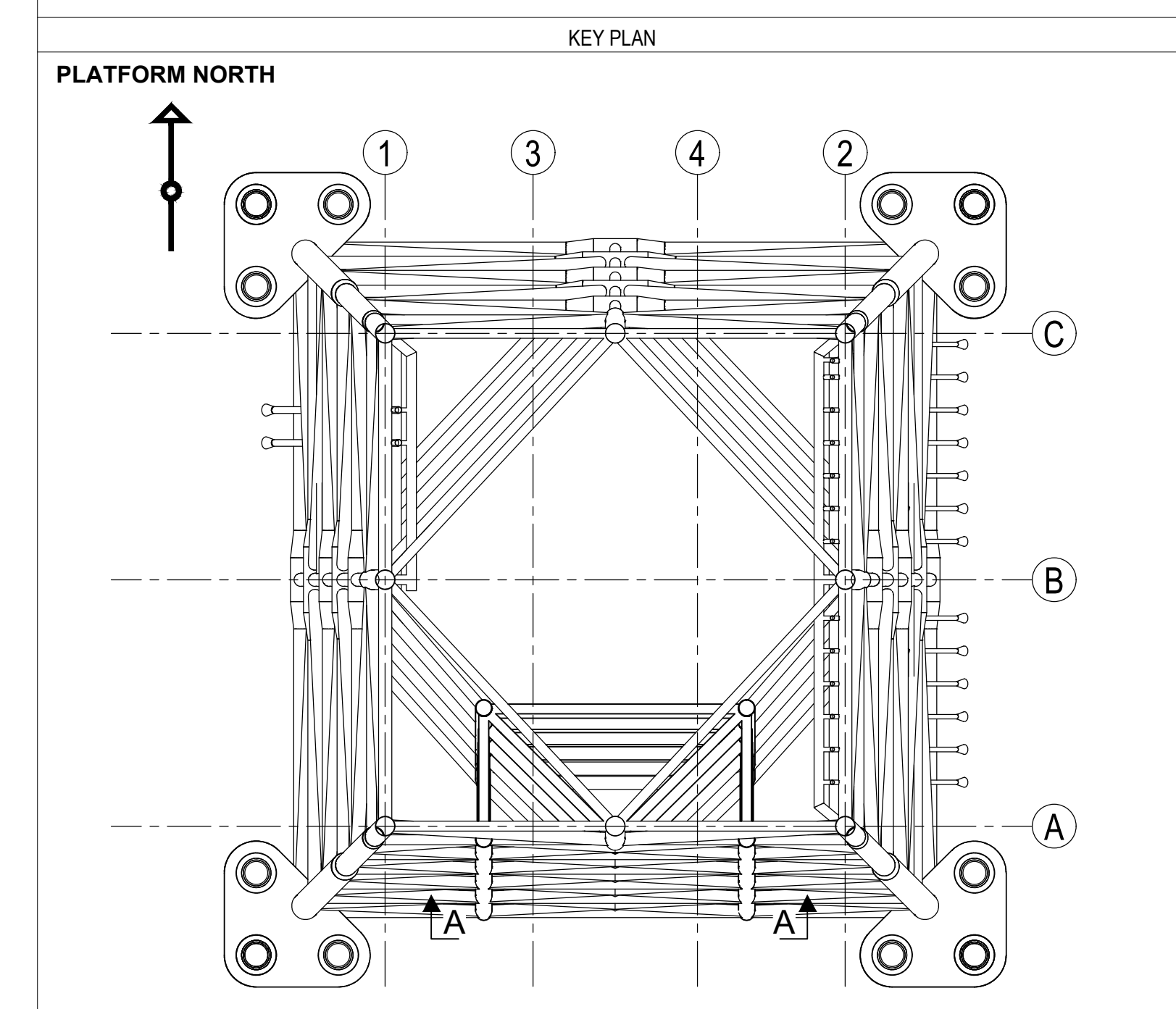


SECTION C - C
1:200

REFERENCE DOCUMENTS		
REF	DOC TAG	DESCRIPTION
1	12083-CDD-100	SUBSTATION - ASSEMBLY - ISOMETRIC VIEW

NOTES

1 - ALL DIMENSIONS ARE IN mm U.N.O.
2 - ALL ELEVATION ARE IN m REFERRED TO L.A.T.



00	16.10.2023	FM	GP	MT	First Issue
Rev.	Date	Created by	Checked by	Approved by	Description
Customer		Project			Customer Document ID
Nemetun		Nemetun Offshore Substation			-
Project ID		Replacing		Based on	Scale
12083		-		-	1:200
Responsible Department		Created by		Checked by	Approved by
-		Fabio Maroni		Giulio Pascolini	Mauro Tavola
Title		Document ID		Page	
SUBSTATION JACKET - LAUNCHING TRUSS ASSEMBLY AND DETAILS		12083-CDD-127		1/1	
KKS-Nº: -		Rev.		Rel. Date	Page
-		00		16.10.2023	1/1

File name: 12083-CDD-127_00.dwg

