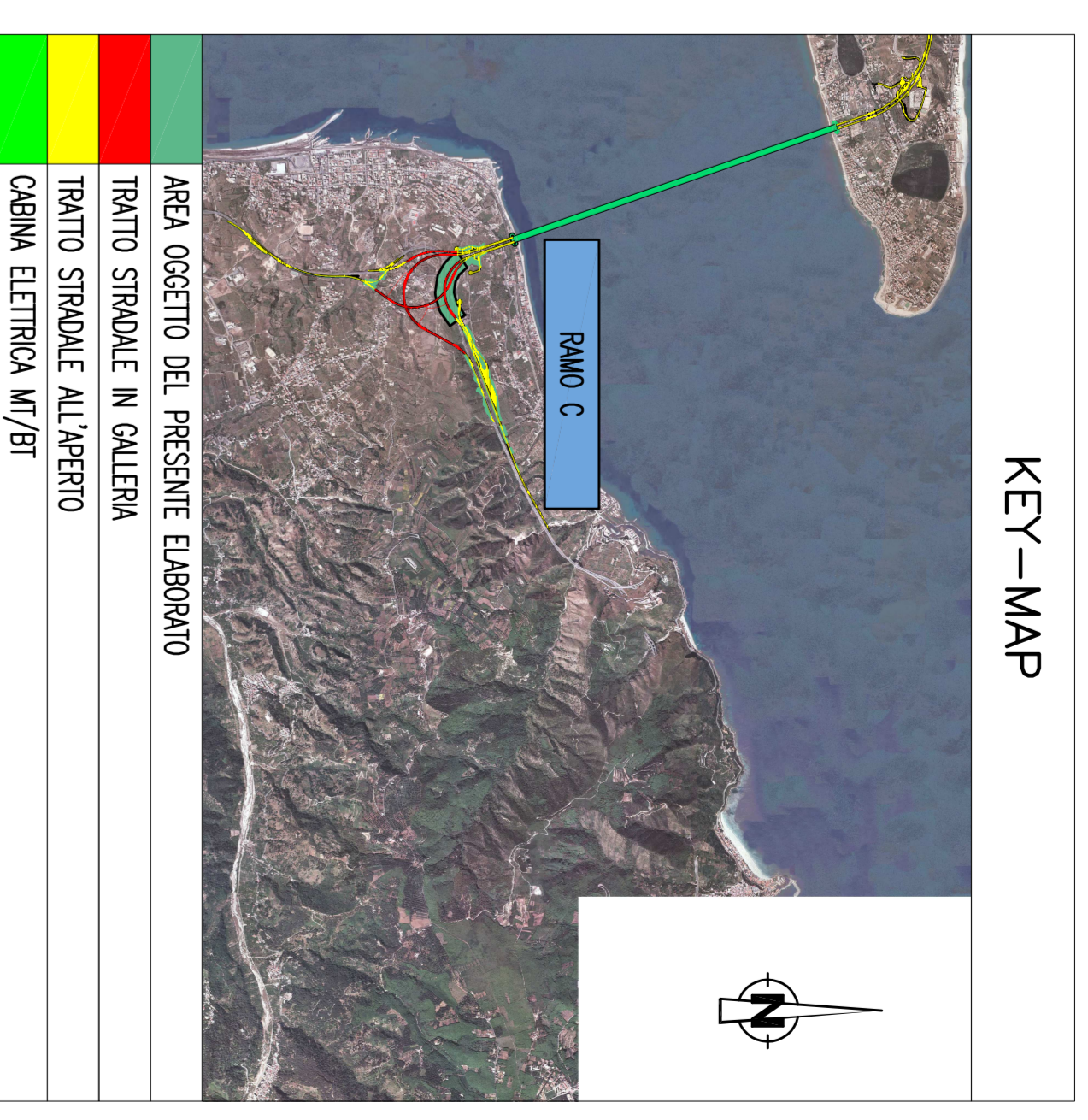


NOTE GENERALI

KEY-MAP

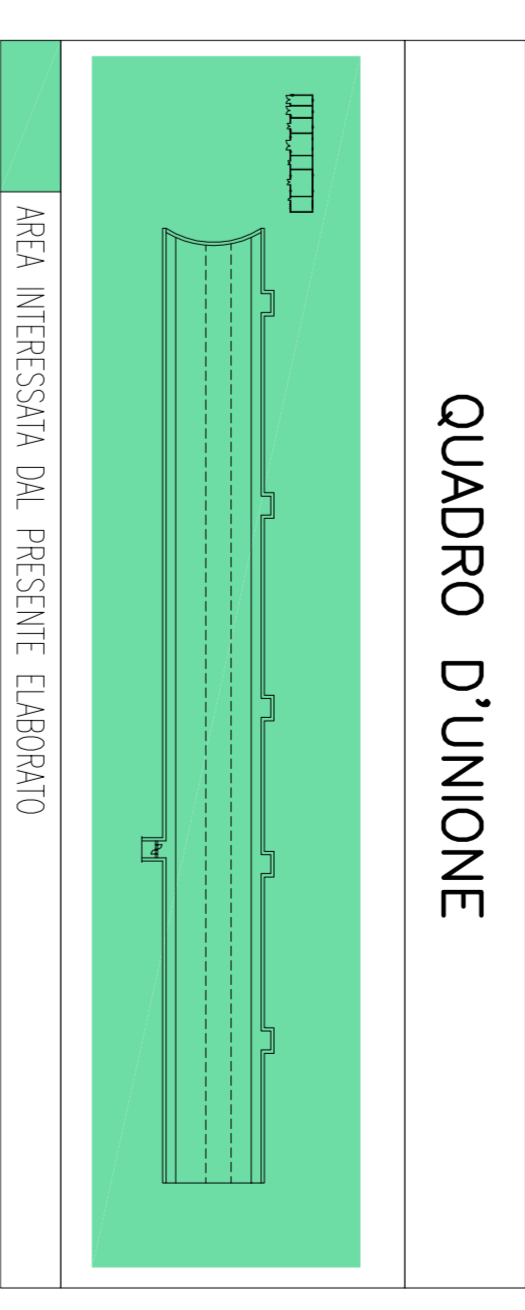


AREA OGGETTO DEL PRESENTE ELABORATO
TRATTO STRADALE IN GALERIA
CABINA ELETTRICA M/BI

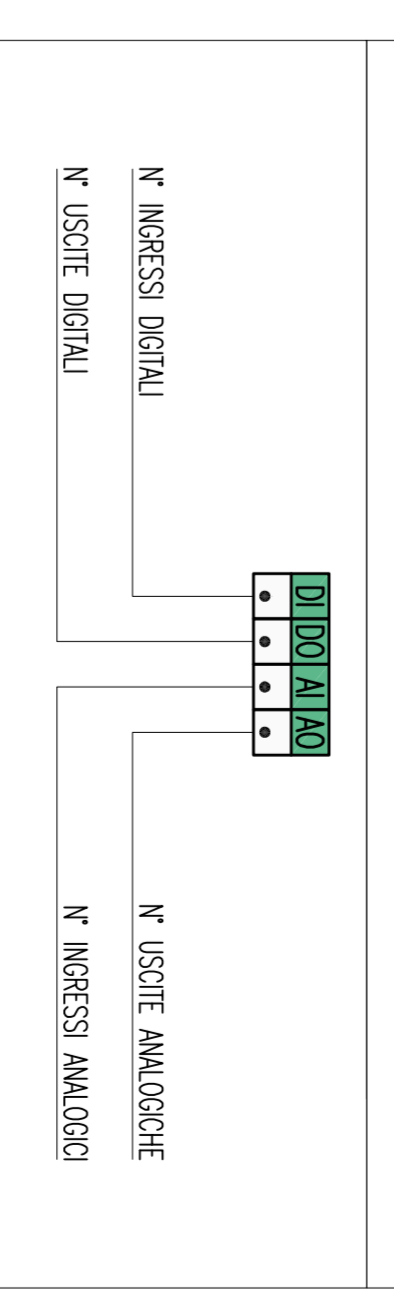
ELABORATI DI RIFERIMENTO

Table with 2 columns: Project ID and Description. Includes references to power supply, lighting, and ventilation control systems.

QUADRO D'UNIONE



INDICATORE PUNTI CONTROLLATI



NOTE:
- ZONA INDICAZIONALE NEL ROCCO SUCCESSIVO/PRECEDENTE

Logo and contact information for 'Stretto di Messina' (Eurolink S.p.A.).

Project title: 'PONTE SULLO STRETTO DI MESSINA' and 'PROGETTO DEFINITIVO'.

Client information: 'EUROLINK S.P.A.' and 'SOCIETA' ITALIANA PER CONDOTTE EVACUATA S.p.A.'.

Project manager and technical staff information.

Project name: 'COLLEGAMENTI CALABRIA' and 'RAMO C'.

Table with project metadata including drawing code, date, and scale.

LEGENDA COLORI: Legend for different system colors like lighting, fire alarm, and ventilation.

LEGENDA RETI: Legend for network types such as general, emergency, and communication.

LEGENDA QUADRI: Legend for electrical panels like power, lighting, and ventilation.

LEGENDA SIMBOLI

Legend for various symbols used in the diagrams, including sensors, switches, and control units.

INDICATORE CAVI ELETTRICI

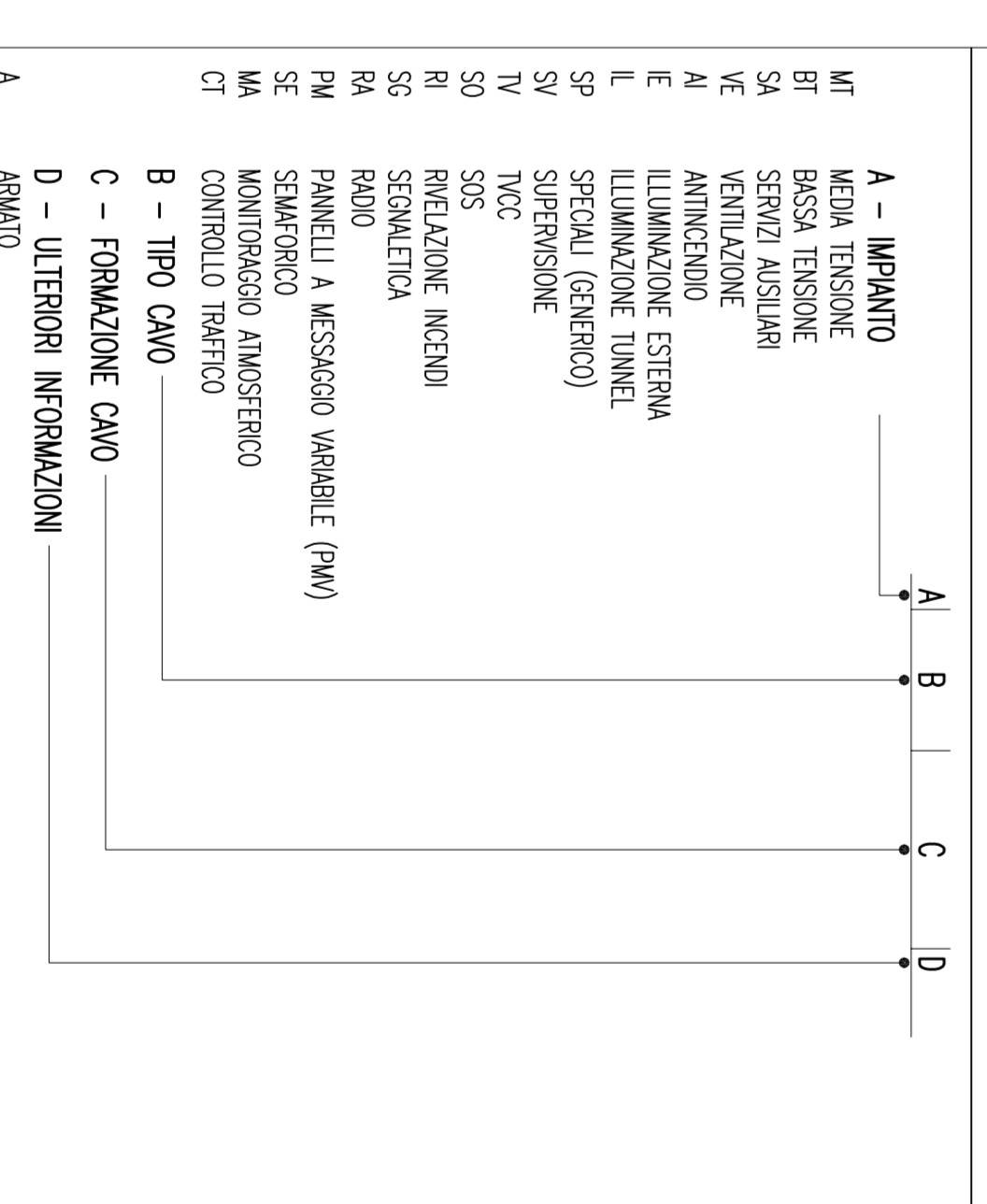


TABELLA DENOMINAZIONE OPERE INFRASTRUTTURALI: Table listing infrastructure works like manholes, pits, and conduits.

